

SLIMdri™ Hand Dryer

 Surface-Mounted ADA Compliant Hand Dryer



WORLD DRYER



NEWEST
Surface Mounted ADA



Best in Class of Surface Mounted ADA Compliant

- Fastest dry time
- Most energy efficient and lowest cost in use
- Universal voltage (110 to 240 Volts)
- Long term 10 year limited warranty



IP23



SLIMdri™ Hand Dryer

BEST Surface-Mounted ADA Compliant Hand Dryer

SLIMdri™ is the fastest and most energy efficient surface-mounted ADA compliant hand dryer. The SLIMdri hand dryer provides the best drying performance in its class, and is perfect for all commercial washrooms. The ON/OFF heating control, stylish low-profile design with flexible cover options, and universal voltage features fits any décor or washroom environment.

Fastest - Up to 40% faster dry time than leading competitive surface-mounted ADA compliant hand dryers

Energy Efficient - Up to 70% less energy than competitive dryers

Universal Voltage (110-240 Volts) - Adapts to all electrical supplies.

Hygienic - SteriTouch® hygienic antimicrobial technology

Flexible - ON/OFF heat options

Slim Design - Compact, sleek and modern design complements any washroom décor.

Easy Installation - Reduces installation costs

Automatic Operation - Promotes healthy hygiene.



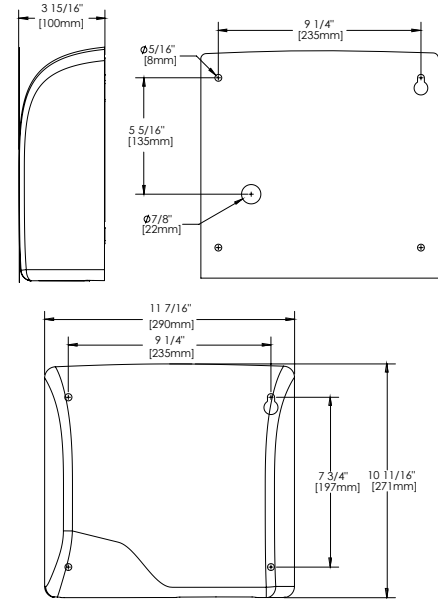
Electrical Specifications

	110-120 V	208 V	220-240 V
Amps	8.3	3.7	4.1
Watts	950	775	950
Hz	60 Hz	60 Hz	60 Hz

Performance

Air Speed	Air Flow	Temperature Rise
140 MPH	70 CFM	48°F

Specifications



Aluminum , White



Aluminum , Polished Chrome



Aluminum , Brushed Chrome



Cast Iron , White Porcelain enamel

Cover Material	Cover Finish / Kit	110-120 / 208 / 220-240 V	Unit Weight	Shipping Weight	Unit Size (HxWxD) inch/mm	Shipping Size (HxWxD) inch/mm
Aluminum	White	# L-974	9.0 lbs / 4.1 kgs	10.6 lbs / 4.8 kgs	10.7" x11.43" x 3.9" 271 x 290 x 100	13.8" x 13" x 6.9" 350 x 330 x 175
Aluminum	Polished Chrome	# L-970	9.0 lbs / 4.1 kgs	10.6 lbs / 4.8 kgs	10.7" x11.43" x 3.9" 271 x 290 x 100	13.8" x 13" x 6.9" 350 x 330 x 175
Aluminum	Brushed Chrome	# L-971	9.0 lbs / 4.1 kgs	10.6 lbs / 4.8 kgs	10.7" x11.43" x 3.9" 271 x 290 x 100	13.8" x 13" x 6.9" 350 x 330 x 175
Cast Iron	Porcelain Enamel	# L-976	17.6 lbs / 7.9 kgs	20 lbs / 9 kgs	10.7" x11.43" x 3.9" 271 x 290 x 100	13.8" x 13" x 6.9" 350 x 330 x 175



92-MT050 Rev02

5700 McDermott Drive, Berkeley, IL 60163
 Tel: (800) 323-0701, (708) 449-6950
 Fax: (708) 449-6958
 www.worlddryer.com

Distributor