

Model RA Hand Dryer



Recessed A.D.A. Compliant Push-Button Hand Dryer

WORLD DRYER

World Model RA hand dryer is an ADA compliant hand dryer with longest life dryer motor and the best washroom solution for high traffic facilities.

Product Benefits

- ADA compliant
- 30 second drying time
- Longest life of all dryers
- Moderate sound level
- Durable and vandal resistant
- Classic style design

Design Features

Dryer

- Activated by electro-mechanical timer with 25 Amp switch
- 30 second drying cycle
- Incorporates a 2100 (optional 1500) watt Nichrome wire heating element Protected by an automatic-resetting, thermal cutoff
- Provides a 70° F temperature rise
- IPX1 ingress protection

Motor

- Thermally-protected, universal brush-type motor operating at 7,500 RPM
- Delivering 154 CFM air flow at a velocity of 7,300 LFM

Materials

- Cover material: Cast Iron with porcelain enamel finish
- The wall-mounted base is constructed of die-cast aluminum
- The nozzle is constructed of die-cast zinc alloy finished in bright chrome with field option of rotating configuration.



Architecture & Engineering Specifications

Model RA hand dryers shall be manufactured by or for World Dryer Corporation® to include a cover made of 1/4" thick cast iron with porcelain enamel finish. Motor shall be universal type, 1/10 HP at 7500 RPM. Dryers shall deliver 154 cubic feet per minute of air volume (7300 LFM). Timer shall be electro-mechanical cam-style with 25 AMP rated switch to operate dryer for 30 second period. Recessed units use a 16-gauge steel wall mounting box. Hand dryers shall be listed under reexamination service of Underwriters Laboratories, Inc.

Model RA Product Specifications

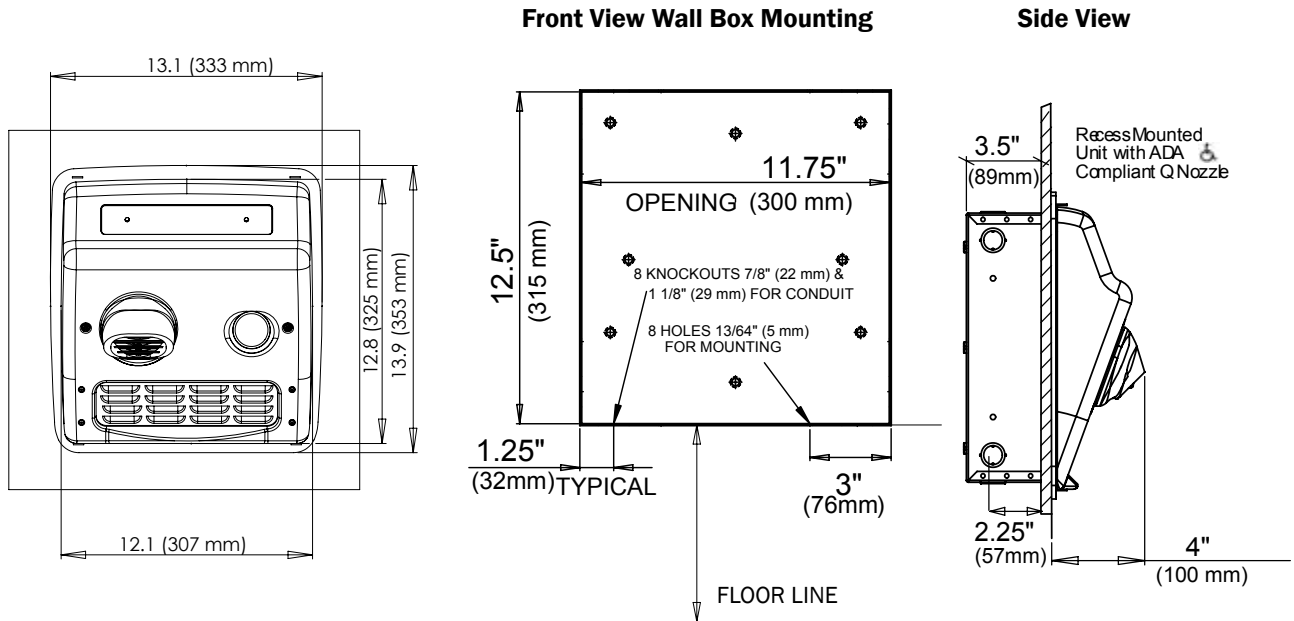
Electrical

	115 V	115 V	208 - 230 V	220 - 240 V	277 V
Amps	20	15	10	10	8.5
Watts	2300	1725	2300	2300	2300
Hz	60	60	60	50	60

Sound Level - 73 dBA @ operator ear (with hands)

Stock #	Cover Finish	Cover Material	Electrical	Unit Weight	Unit Size (HxWxD) inch/mm	Shipping Size (HxWxD) inch/mm
RA5-974	White	Cast Iron	115 V, 20 Amp	35 lbs/15.8 kgs	13.8" x 13.1" x 4" 351 x 333 x 102	15" x 15" x 11.25 381 x 381 x 286
RA52-974	White	Cast Iron	115 V, 15 Amp	35 lbs/15.8 kgs	13.8" x 13.1" x 4" 351 x 333 x 102	15" x 15" x 11.25 381 x 381 x 286
RA54-974	White	Cast Iron	208 - 230V	35 lbs/15.8 kgs	13.8" x 13.1" x 4" 351 x 333 x 102	15" x 15" x 11.25 381 x 381 x 286
RA548-974	White	Cast Iron	220 - 240 V	35 lbs/15.8 kgs	13.8" x 13.1" x 4" 351 x 333 x 102	15" x 15" x 11.25 381 x 381 x 286
RA57-974	White	Cast Iron	277 V	35 lbs/15.8 kgs	13.8" x 13.1" x 4" 351 x 333 x 102	15" x 15" x 11.25 381 x 381 x 286

Recess Mounted



Placement Instruction

- Hand dryers should be spaced at least 2 feet apart, near but not over the wash basin
- In congested areas, dryers should be located to create a flow from wash basin to dryer to exit
- Dryer Quantity Recommendation:
Average Traffic: 1 dryer per 2 wash basins
Heavy Traffic: 1 dryer per wash basin
Industrial 54" Circular wash fountains: 4 dryers per sink
- Recommended mounting heights from floor to dryer bottom edge

Men's washrooms	42" (107 cm)
Women's washrooms	40" (102 cm)
Children's washrooms, ages 4-7	28" (71 cm)
Children's washrooms, ages 7-10	32" (81 cm)
Children's washrooms, ages 10-13	36" (91 cm)
Children's washrooms, ages 13-17	40" (102 cm)
Handicap Mounting Height	34" (86 cm)

Installation Guide

- Model RA hand dryers require a dedicated 20 AMP circuit and must be properly grounded
- GFI circuit protection is recommended.
- One side of dryer should be mounted to a stud

Certification Approved



IPX1



Warranty



3 year on motor brushes

10 year limited warranty



5700 McDermott Drive
Berkeley, IL 60163 U.S.A.
800-323-0701
www.worlddryer.com