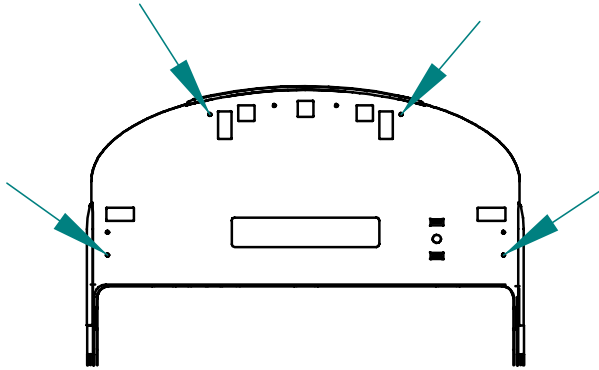
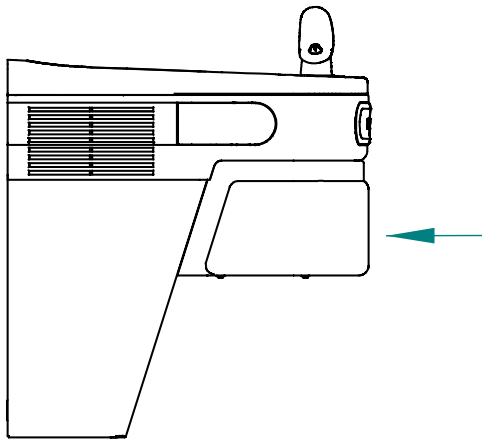


CANE APRON INSTALLATION



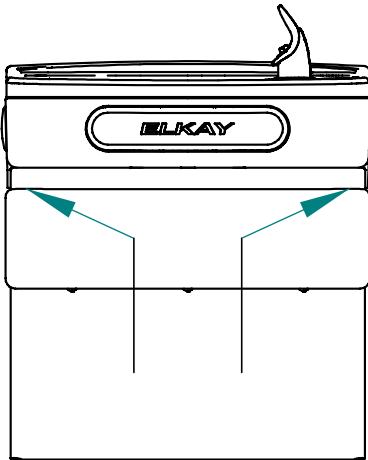
STEP 1

FASTEN 4 SCREWS INTO HOLES AS SHOWN. USE COVER PLATE TO GAUGE DEPTH.



STEP 2

ALIGN SLOTS ON APRON TO SCREW HEADS. PUSH APRON ONTO SCREW HEADS. IF APRON DOES NOT SNAP INTO PLACE REMOVE BOTTOM COVER, SEE STEP 3.



STEP 3

PUSHING BACK CORNERS OF APRON OUT TO CLEAR SNAPS IN REAR WILL EASE INSTALLATION.

STEP 4

ATTACH BOTTOM COVER TO APRON WITH 6 SCREWS AND CLIPS PROVIDED.

TO REMOVE:
REMOVE BOTTOM COVER, PUSH OUT IN BACK
CORNERS AND PULL FORWARD

FOR PARTS, CONTACT YOUR LOCAL DISTRIBUTOR OR CALL 1.800.323.0620