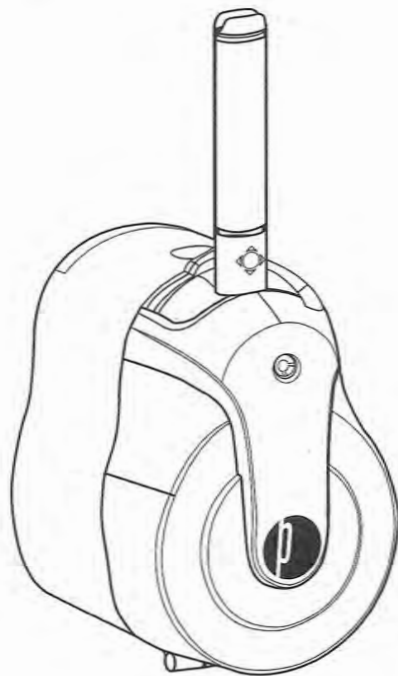


pūrleve™

hygienic door handle



These instructions cover the Hygienic Door Handle for **BORED CYLINDRICAL HARDWARE INSTALLATIONS**. Use either Accessory Kit #1003 or #1014.

PÜRLEVE HANDLE INSTALLATION

(#1002 Hygienic Door Handle - Bored Cylindrical Lock or Latch)



A cleaner world is within reach.

Pürleve Handle #1002 Installation Instructions (using the Bored Cylindrical Hardware Accessory Kit #1003 or #1014)

Video on installation process located at: <http://www.purleve.com/en/our-product-categories/door-hygiene/product-support/installation-videos>

NOTE 1: Use accessory kit #1003 or #1014 (1003 is for COINTURN lever function and 1014 is for a KEYED lever function) for Bored Cylindrical installation.

NOTE 2: All Current Door Hardware should be removed before installing the Pürleve handle.

NOTE 3: The standard 'Backset' of the included latch is 2 - 3/4" (70 mm). That is, the distance from the edge of the door to the center of the hole in the door is 2-7865493/4). If the distance is 2 - 3/8" (60 mm), please call Pürleve to order accessory #1016 or #1017 (both are 2 - 3/8" Latch accessories).

Trouble shooting Guide

1) Door thickness: Standard Door- 1- 3/8" (35mm) thick. If the door is LESS than 1.375" (35 mm) or GREATER than 1.75" (44.5 mm) the system will not function properly. Call Pürleve for support.

2) Door Construction:

- The following instructions cover standard Solid Wood doors.
- For Metal, Fiberglass or Hollow Core Wood Doors, please see alternative directions in Handle Box or call Pürleve.
- Metal Door installation should be similar to these instructions. Call if you have questions.

3) If the door does not already have 'DOOR RETURN' mechanism, please call Pürleve to purchase an Industrial Door Closure (Product #1012). Instructions for easy installation are provided with the Pürleve Door Closure.

STEP 1: Prepare Door For Installation of Pürleve Hygienic Door Handle.

1.1: For a new door that does not have the hole already drilled for the installation of a Bored Cylindrical Lock or Latch (see the holes in **figure 1**), go to the separate instructions included labeled Bored Cylindrical Hardware Door Preparation.

1.2: If hardware currently in door, please remove entire set. This door handle hardware can be used on another door not requiring a Pürleve hygienic handle. (**Fig. 2**)

Step 2: Install Door Handle Hardware Set (Figure 4)

NOTE: Figure 4 reveals what the installation will resemble after completing the entire Step 2.

2.1: Install Latch with included two 3/4" (19mm) Flat Head Screws. (**Fig. 3**) The FLAT edge of the 'Latch' should face the DIRECTION the door OPENS.

NOTE: The distance from the edge of the door to the center point of the door handle should be 2 - 3/4" (70 mm). If the distance is 2 - 3/8" (60 mm), please call Pürleve to order accessory #1016 or #1017 (both are 2 - 3/8" Latch accessories). Simply replace 2-3/4" latch with the 2-3/8" Latch.

2.2: Install Lever into Door (**Fig. 4**). Ensure the lock housing engages with the Latch Prongs and retractor interlocks with the latch tail (**Fig. 5**)

2.3: Place the Pürleve Mounting Plate onto the door hardware. The FLAT side of the mounting plate should be on the 'Far Side' from the edge of the door. Bosses of mounting plate should face OUT (away from door). (**Fig. 6**)

2.4: Install and tighten the two 1" (25mm) oval head machine screws into the plate. These screws connect the Mounting Plate to the included Bored Cylindrical Hardware located inside the door. (**Fig. 7**)

2.5: Insert the four 1" (25mm) long Pan Head Wood Screws through Mounting Plate into the door. These screws ensure the Pürleve Handle will not rotate over time. If you require a pilot hole for these screws, make a 7/64" (2.78mm) hole. (**Fig. 8**)

NOTE: These screws are NOT required for test trials. This will avoid any holes being made in door.

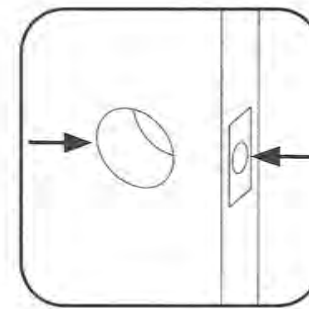


Figure 1



Figure 2

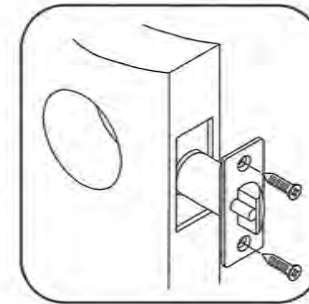


Figure 3



Figure 4

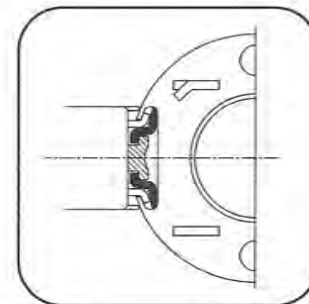


Figure 5

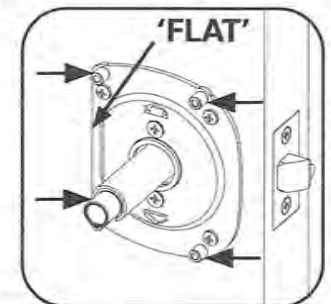


Figure 6

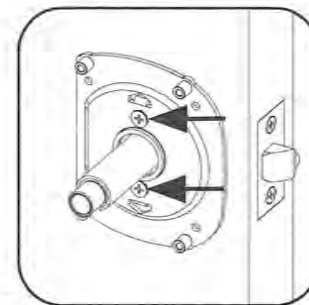


Figure 7

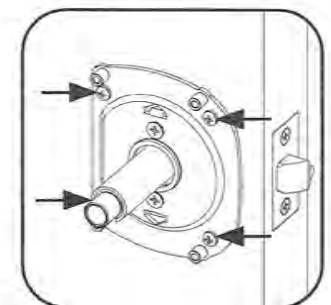


Figure 8

Step 3: Prepare Pürleve Handle to Install on Door

Install Front Cover Accessory Parts (Lock or Latch Installation) NOTE: Small Accessory bag of cover parts found in Pürleve Handle Box (1002) – (Fig. 9)

3.1: (LATCH ONLY OPTION): If installing Pürleve Handle on a LATCH door (no personal push button lock) simply use the ROUND accessory SNAP cover. (Fig. 10)

3.1A: **Carefully** snap the ROUND COVER into place on the Pürleve Handle Cover. (Fig. 11)

3.2: (PUSH BUTTON LOCK OPTION): If installing Pürleve Handle on a LOCK Door for privacy installations (push button lock) use the following 3 parts: Metal PUSH Button (1), Small Plastic Apron (2) and Push Button Connector (3). (All shown in Figure 12)

3.2A: Place the Metal Button (#1 in Figure #12) into the dispenser. (Fig. 13)

3.2B: **Carefully** snap the Small Plastic Apron (Item #2 in Figure #12) around the Metal Button on the Dispenser. (Fig. 14)

3.2C: Locate the PUSH BUTTON Connector (Fig. 15) The 'SHOULDER' location is critical for installation. This will be covered in step 4.4 and 4.5

NOTE: If the door is LESS than 1.375" (35 mm) or GREATER than 1.75" (44.5 mm) the system will not function properly. Call Pürleve for support.

3.2D: The PUSH BUTTON Connector into the back side of the Pürleve Handle. Push the Connector into the Hole located in the CENTER. Ensure the PUSH BUTTON Connector drops to the bottom of the hole. Notice the SMALL end goes into the Handle FIRST. (Fig. 16 & 17)

Step 4: Install Pürleve Hygienic Handle on Door

4.1: Place the Pürleve Handle onto the Bored Cylindrical Mounting Plate kit already installed on the door. Ensure the 4 holes on the backside of the Pürleve Handle match with the 4 threaded inserts on the Mounting Plate. Ensure the Handle is facing AWAY from the edge of the door. (Fig. 18, 19 & 20)

4.2: Place the four 5/8" (16mm) long pan head machine screws into the Handle holes and tighten into the Mounting Plate threaded inserts. (Fig. 21)

4.3: Ensure the door is UNLOCKED and the PUSH BUTTON of the Bored Cylindrical Hardware is fully extended (the Push Button is no longer visible as the Hygienic Handle is covering it – Fig. 22). To unlock, rotate the Pürleve Hygienic Door handle up or down (Fig. 23). You will either hear a CLICK and / or notice the PUSH BUTTON Connector move OUT. If you do not hear a click or see no movement with the PUSH BUTTON CONNECTOR, the Push Button was already released.

4.4: Locate the head of the Button Connector inside the metal tube near the center of the Pürleve Handle as shown in (Fig 24).

4.5: Using a small screwdriver, rotate the head of the Button Connector **counterclockwise** until the **SHOULDER** of head on the Button Connector is flush with the top of the metal tube inside the Handle. Only push lightly on the screwdriver when rotating the Button Connector to ensure proper adjustment. When the adjustment is complete the SHOULDER on the head of the Button Connector will be flush to the end of the tube. (Fig. 25 & 26)

NOTE: If the Button Connector is adjusted too much IN or OUT with respect to the metal tube, rotate clockwise or counterclockwise until the Button Connector resembles Fig 26.

4.6: Install the 4- C Size batteries (included with the Pürleve Handle). Ensure the Pürleve Handle is 'OFF' until the Refill is installed and ready for use. (Fig. 28)

4.7: Installation Complete. Close the cover of the Pürleve Handle. Locate the new 1005 Refill for the Pürleve Handle and follow the Installation Instructions included in the refillbox.

NOTE: Remember to re-set the COUNTER with EACH new refill.

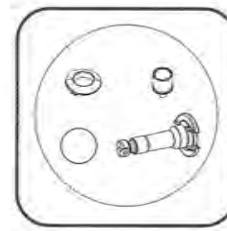


Figure 9

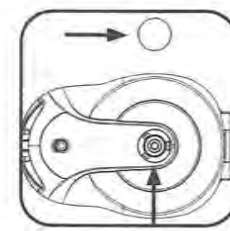


Figure 10

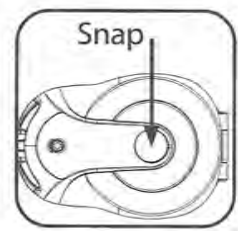


Figure 11

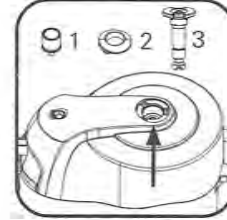


Figure 12



Figure 13

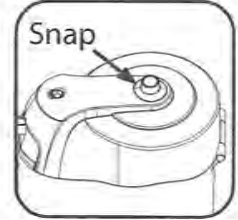


Figure 14

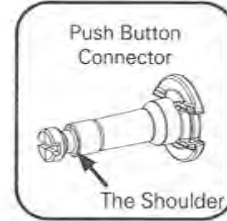


Figure 15

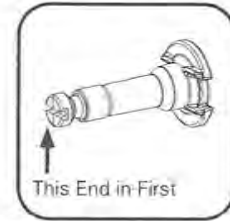


Figure 16

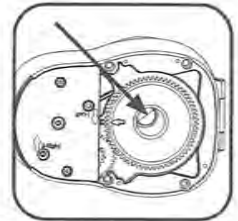


Figure 17

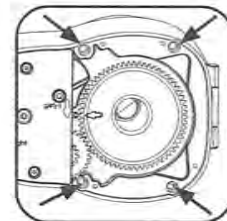


Figure 18

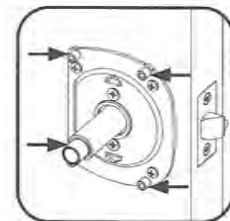


Figure 19

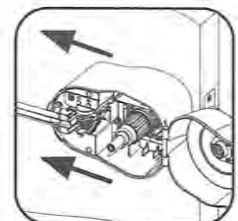


Figure 20

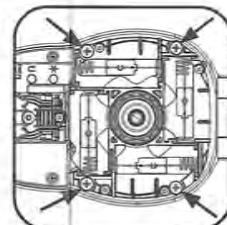


Figure 21

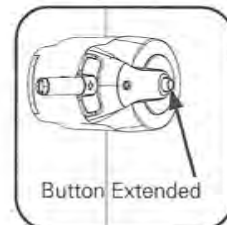


Figure 22



Figure 23

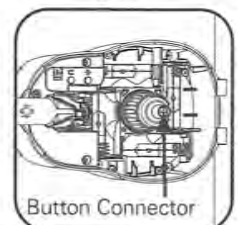


Figure 24

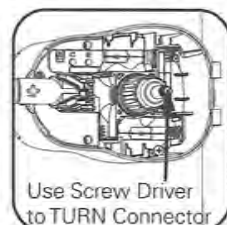


Figure 25

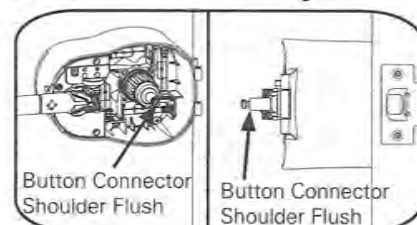


Figure 26

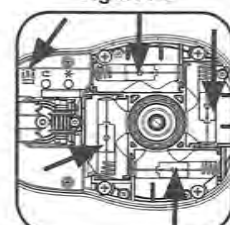


Figure 27

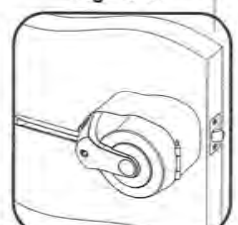




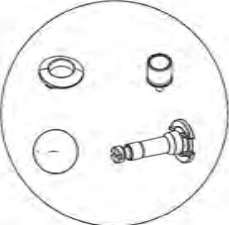















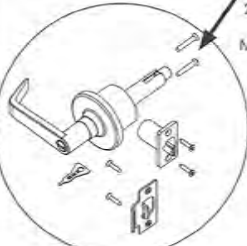

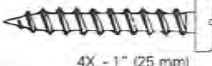


Figure 28

PÜRLEVE PART LIST

To view a brief video on the Handle Installation process, go to:
<http://www.purleve.com/en/our-product-categories/door-hygiene/product-support/installation-videos>

NOTE: Screws below are ACTUAL size. Simply match screw with drawing to ensure no errors.

Included Parts	Tools Recommended	Sold Separately
 Pürleve 1002 Handle  Pürleve proprietary key  4X - #8-32 x 5/8" (16mm) Pan Head Machine Screws  C-cell Alkaline Batteries (4x)  Pürleve Lock Button or Latch Front Cover Accessories	 Center Punch  Hammer  Power drill  #2 Phillips Power Bit (Minimum 3 1/2" long)  Felt Tip Marker  Tape  7/64" Drill bit (2.78mm) -Optional-  Phillips Head Screw-Driver.  Chisel  Level	 #1005 Pürleve Refill Cartridge  #1012 Pürleve Industrial Door Closure  #1016: 2 - 3/8" (60mm) Latch (Use with Product #1003-Pürleve Coin Turn Hardware)  #1017: 2 - 3/8" (60mm)Latch (Use with Product #1014 - Pürleve Keyed Hardware) #1003- Coin Turn Lever Hardware or #1014- Keyed Lever Hardware  2X - 1" (25mm) Oval Head Machine Screws  Pürleve Accessory Lever Hardware  Pürleve Mounting Plate  4X - 1" (25 mm) Wood Screws

PÜRLEVE ELECTRONICS MATRIX

PÜRLEVE DISPENSER BASIC FUNCTIONS

Need	Action	Results
Turn Unit 'On' with Infrared (IR) NOTE: Infrared is preferred when handle first installed or if significant vandalism in washroom.	Place the switch to ' ON - 1 ' setting	Unit is powered 'ON'. To test you can push down the handle and Release Handle to advance a sleeve. If infrared chosen, when HAND placed over the handle (or around the handle) the Sleeve will STOP and a Green LED will be lit. When Hand Removed, the Sleeve will start the Green LED will turn OFF and complete the cycle.
Turn Unit 'On' without Infrared (IR)	Place the switch to ' ON - 2 ' setting. NOTE: No IR; therefore, sleeve will continue to run if HAND in view.	Unit is powered 'ON'. To Test you can push down the handle and Release Handle to advance a sleeve.
Turn unit 'Off'	Place the Switch to 'OFF' setting	Unit is powered 'OFF'. To test you can push down the handle and Release to ensure no sleeve activity.
Initiate Sales' Demo for Low Battery	Place Unit on 'On - 1' - push down the handle and RELEASE. As the sleeve is moving, HOLD the 'STAR' button down (5 seconds) until the RED LED begins to blink, then release the button.	1. The RED LED will blink 5 times. 2. Following the 5 blinks of the RED LED, the Dispenser will automatically return to the normal state.
Check for Low Battery	To check if the Dispenser is in a 'LOW' Battery Life status, simply push down the handle and RELEASE.	1. If the Batteries are low in energy, upon the RELEASE of the Handle, the RED LED will blink 5 times. 2. Upon 1st indication of LOW BATTERY, the batteries should be replaced with the next Refill.
Initiate Sales' Demo for LOW Refill	Place Unit on 'On - 1' - push down the handle. As the sleeve is moving, HOLD the 'ARROW' button down (5 seconds) until the YELLOW LED begins to blink, then release the button.	1. The YELLOW LED will blink 5 times. 2. Following the 5 blinks of the YELLOW LED, the Dispenser will automatically return to the normal state.
REQUIRED: Activating the LOW Refill Function (use when NEW refill placed)	Place Unit on 'On-1' - push down the handle. As the sleeve is moving, PRESS and RELEASE the 'ARROW' button quickly. The GREEN LED will blink 3X to signify a NEW REFILL and NEW Count.	1. The GREEN LED will blink 3 times. 2. Following the 3 blinks of the GREEN LED, the Dispenser will automatically return to the normal state.
Check for Low Refill (when 250 Uses remain, the LOW REFILL indicator will initiate)	To check if the Dispenser is in a 'LOW' Refill status, simply push down the handle and RELEASE.	1. If the Refill is LOW, upon the RELEASE of the Handle, the YELLOW LED will blink 5 times. 2. The LOW refill indication will continue until a NEW refill is placed and the NEW COUNT is activated.



A cleaner world is within reach.

111 W. Olive Street, Glendale, WI 53212

1.877.PURLEVE | www.purleve.com

Pürleve Handle #1002 Installation Instructions (using the Bored Cylindrical Hardware Accessory Kit #1003 or #1014)

Video on installation process located at: <http://www.purleve.com/en/our-product-categories/door-hygiene/product-support/installation-videos>

NOTE 1: Use accessory kit #1003 or #1014 (1003 is for COINTURN lever function and 1014 is for a KEYED lever function) for Bored Cylindrical installation.

NOTE 2: All Current Door Hardware should be removed before installing the Pürleve handle.

NOTE 3: The standard 'Backset' of the included latch is 2 - 3/4" (70 mm). That is, the distance from the edge of the door to the center of the hole in the door is 2-7865493/4). If the distance is 2 - 3/8" (60 mm), please call Pürleve to order accessory #1016 or #1017 (both are 2 - 3/8" Latch accessories).

Trouble shooting Guide

1) Door thickness: Standard Door- 1- 3/8" (35mm) thick. If the door is LESS than 1.375" (35 mm) or GREATER than 1.75" (44.5 mm) the system will not function properly. Call Pürleve for support.

2) Door Construction:

- The following instructions cover standard Solid Wood doors.
- For Metal, Fiberglass or Hollow Core Wood Doors, please see alternative directions in Handle Box or call Pürleve.
- Metal Door installation should be similar to these instructions. Call if call if you have questions.

3) If the door does not already have 'DOOR RETURN' mechanism, please call Pürleve to purchase an Industrial Door Closure (Product #1012). Instructions for easy installation are provided with the Pürleve Door Closure.

STEP 1: Prepare Door For Installation of Pürleve Hygienic Door Handle.

1.1: For a new door that does not have the hole already drilled for the installation of a Bored Cylindrical Lock or Latch (see the holes in **figure 1**), go to the separate instructions included labeled Bored Cylindrical Hardware Door Preparation.

1.2: If hardware currently in door, please remove entire set. This door handle hardware can be used on another door not requiring a Pürleve hygienic handle. (**Fig. 2**)

Step 2: Install Door Handle Hardware Set (Figure 4)

NOTE: Figure 4 reveals what the installation will resemble after completing the entire Step 2.

2.1: Install Latch with included two 3/4" (19mm) Flat Head Screws. (**Fig. 3**) The FLAT edge of the 'Latch' should face the DIRECTION the door OPENS.

NOTE: The distance from the edge of the door to the center point of the door handle should be 2 - 3/4" (70 mm). If the distance is 2 - 3/8" (60 mm), please call Pürleve to order accessory #1016 or #1017 (both are 2 - 3/8" Latch accessories). Simply replace 2-3/4" latch with the 2-3/8" Latch.

2.2: Install Lever into Door (**Fig. 4**). Ensure the lock housing engages with the Latch Prongs and retractor interlocks with the latch tail (**Fig. 5**)

2.3: Place the Pürleve Mounting Plate onto the door hardware. The FLAT side of the mounting plate should be on the 'Far Side' from the edge of the door. Bosses of mounting plate should face OUT (away from door). (**Fig. 6**)

2.4: Install and tighten the two 1" (25mm) oval head machine screws into the plate. These screws connect the Mounting Plate to the included Bored Cylindrical Hardware located inside the door. (**Fig. 7**)

2.5: Insert the four 1" (25mm) long Pan Head Wood Screws through Mounting Plate into the door. These screws ensure the Pürleve Handle will not rotate over time. If you require a pilot hole for these screws, make a 7/64" (2.78mm) hole. (**Fig. 8**)

NOTE: These screws are NOT required for test trials. This will avoid any holes being made in door.

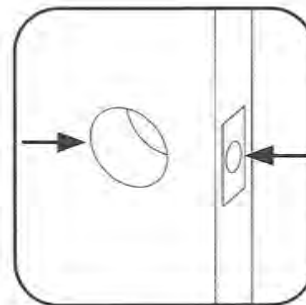


Figure 1

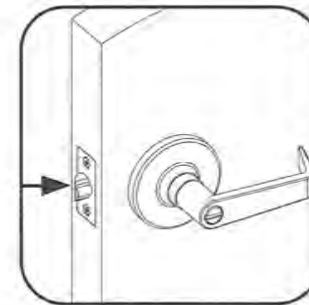


Figure 2

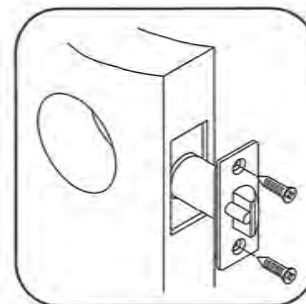


Figure 3

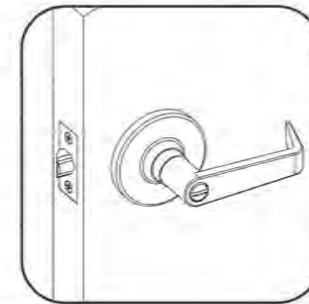


Figure 4

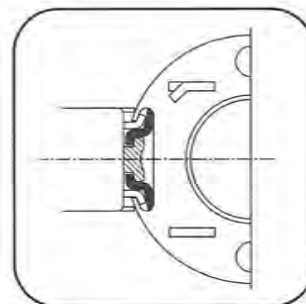


Figure 5

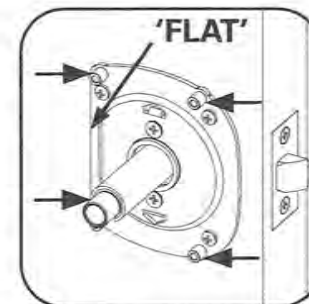


Figure 6

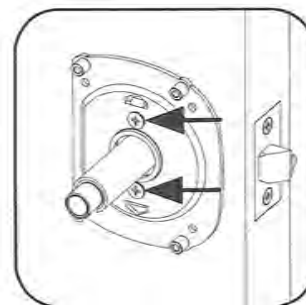


Figure 7

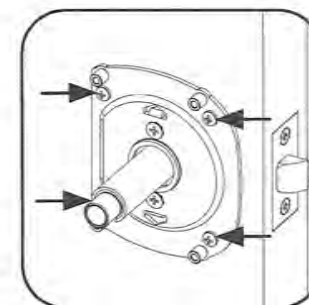


Figure 8