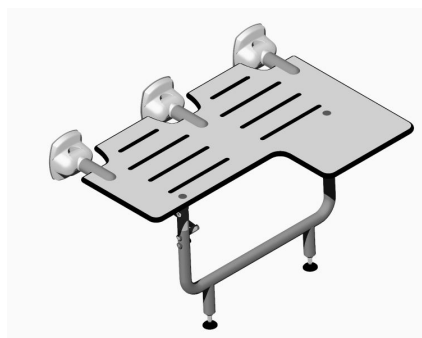
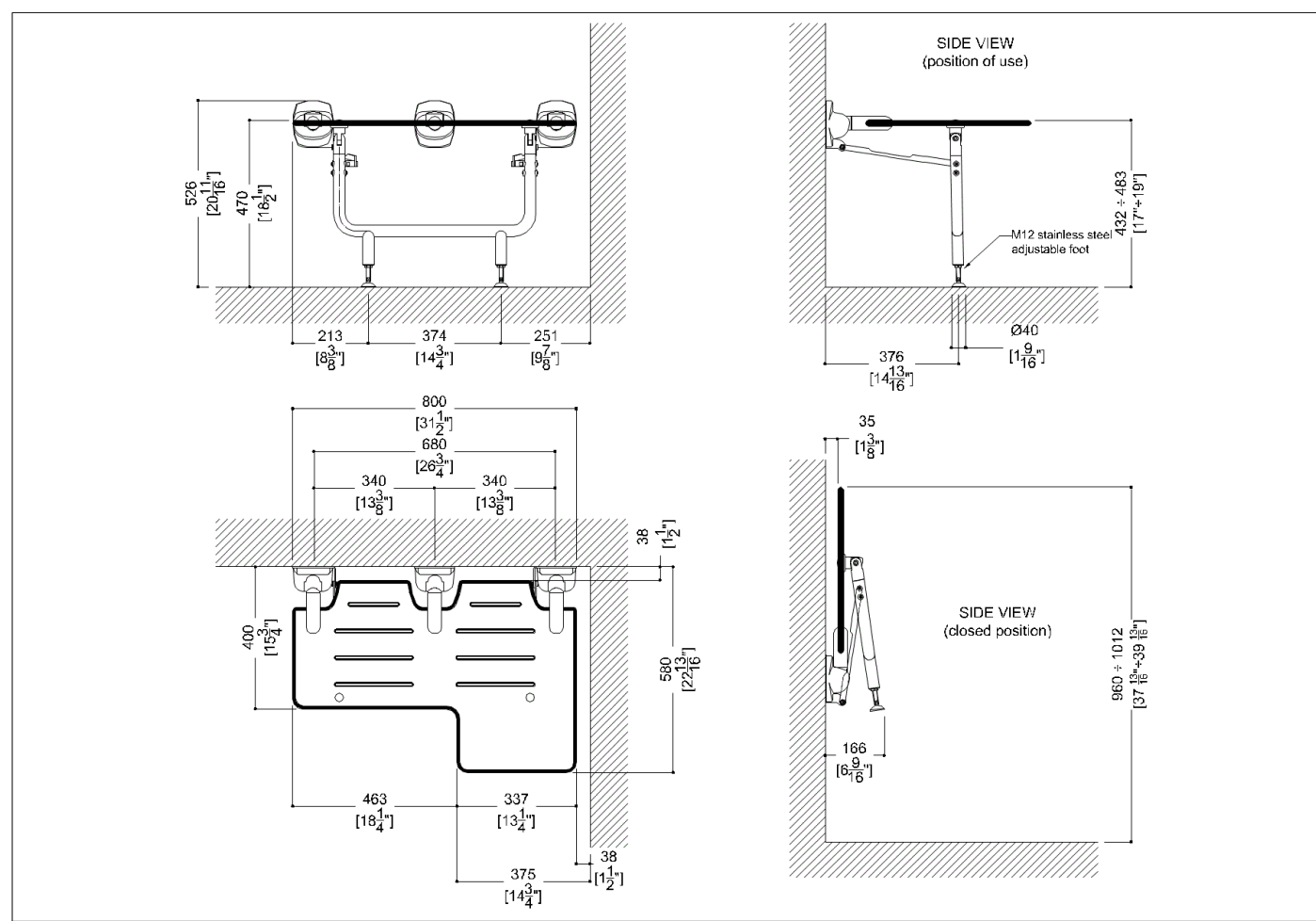




Basic technical data sheet



Bariatric folding seat. Stainless steel frame, 16 mm HPL seat top with leveling feet.

Code G55JDS31 Series Stainless Steel

Net weight lb. 31,97 Dimensions [WxDxH] In. 31 1/2x22 13/16x19
 In use weight capacity Vertical lb. 992,00

Use and installation info

Clean using pure water and home disinfectants which have been sufficiently diluted in water. Do not use abrasive detergents and trichloroethylene, oxygenated water or acetone-based solvents.

Fasteners Included with the product

Packaging information

Dimensions [WxDxH] In. 35 x5 1/2x29 1/8 Weight lb. 35,27