

## G25JDS22XX Series Contractor

Rectangular folding HPL shower seat. Antimicrobial vinyl coated frame with zinc-plated steel core. 10mm thick HPL seat top.

Mounting hardware supplied for wood stud installation.

**Product Data**

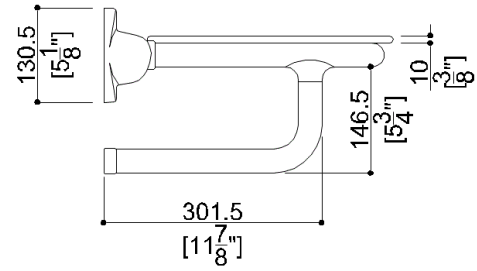
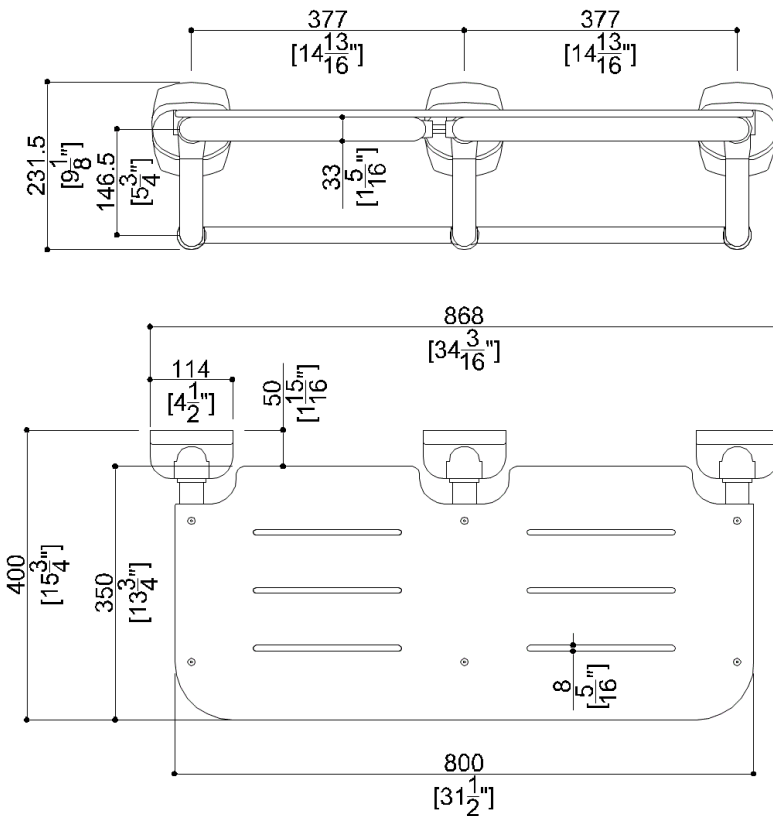
Overall Dimensions (Inch.)	34-3/16 x 15-3/4 x 9-1/8
Net Weight (lbs.)	24.25

**Installation Hardware Details**

Stainless steel screw	TE inox A2 8x70
-----------------------	-----------------

**Packaging Details**

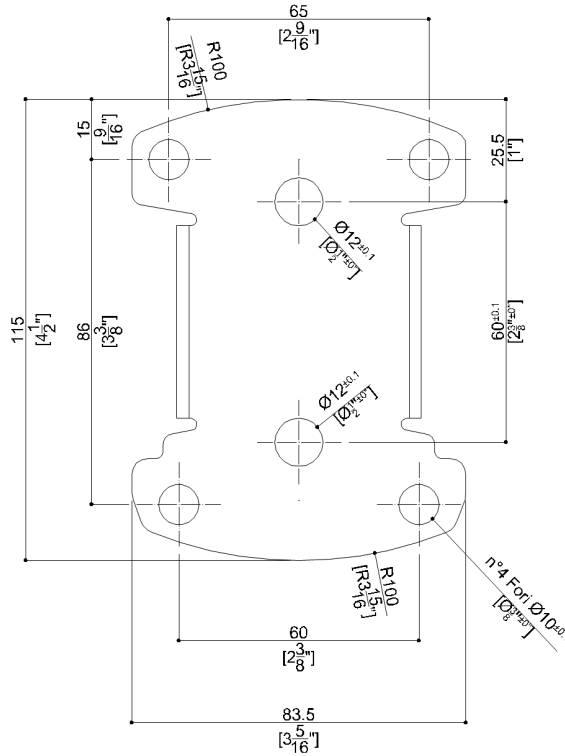
Package	LDPE bag in cardboard box
Package dimensions (Inch.)	34-3/8 x 9-5/16 x 23
Weight with Packaging (lbs.)	26.46



**G25JDS22XX** Series Contractor

Y88JKS27

Stainless steel AISI304 fixing plate



**Available Finishes (xx)**

**Seat**

- W8 Cold White

**Frame**

- D1 Black
- D2 Greystone
- I1 Ivory
- I2 Biscuit
- W1 White

**Materials and finishes**

Stainless Steel Rough

Polyamide Polished

Vinyl Polished

HPL

**Load Capacity**

Vertical 452 lbs.

**Warning**

Before installation and use, read the installation and use instructions in their entirety. If questions arise please contact Ponte Giulio company.

**Cleaning**

Product can be cleaned with a cloth and warm soapy water. Non abrasive, solvent free cleaners can also be used.

**Warranty**

Please visit [www.pontegiulio.com](http://www.pontegiulio.com) for complete warranty details.