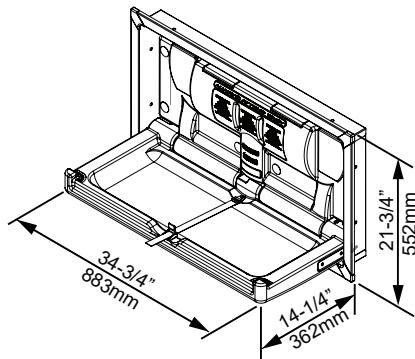




BABY CHANGERS MADE BY BABY EXPERTS.™



### Recommended Blocking Recessed Mount

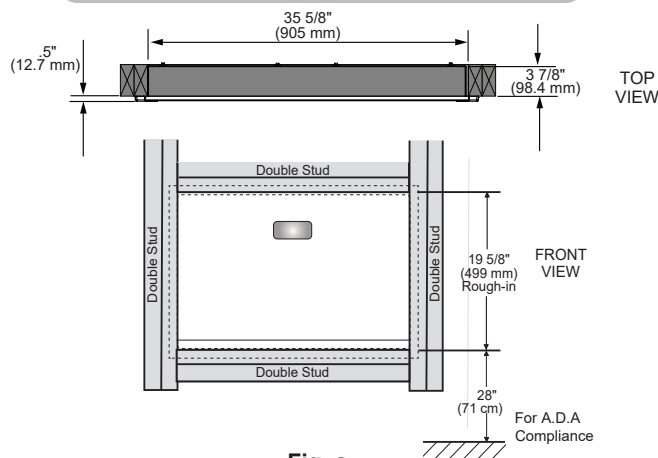


Fig. a

### Installation Information

- 3-7/8 inches (98.4mm) recessed into wall, 1 inch (25 mm) protrusion from wall.
- Rough-in opening 35.625 inches (905 mm) wide x 19.625 (499 mm) high. Shim as required for tight fit on all 4 sides. For recess mount, use side mounting holes.
- Open unit project from wall 14-1/4 inches (362 mm) when recessed.

# Submittal Sheet

## Model 5240259 Polyethylene Horizontal Recessed Diaper Changing Station

- Polyethylene body with stainless steel exterior.
- Easy to clean, high-density polyethylene which is naturally bacteria resistant; beneath 304 brushed stainless steel encasement.
- Standard with molded-in dual liner dispensers.
- Each liner dispenser holds approximately 50 of the 036-LCR or 036-NWL liners.
- Smooth nylon belt with Thermoplastic Polyurethane coating. Easy to sanitize and adjustable with one hand.
- Convenient bag hooks clearly labeled on both sides
- Easy to read ANSI compliant labels (ANSI Z535.3 and ANSI Z535.4), utilizing universal safety symbols.
- Compact, slim profile meets A.D.A. when properly installed. Only protrudes 4 inches or 102 mm from wall.
- Includes universal changing station door sign.
- Pneumatic gas shock mechanism to ensure smooth, safe open and close motions.
- Includes easy to install, step-by-step instructions plus all mounting hardware.
- ASTM G21 Anti-Bacterial: No measurable bacterial growth.
- Meets or exceeds ASTM F2285 Safety Specifications for Commercial Changing Stations.
- Standard pack: 1 unit.
- Limited Warranty: This product is warranted against manufacturing defects for a period of 5 years.

### Short Specifications

Polyethylene Diaper Changing Stations with Stainless Steel Exterior:

1. Acceptable product: Foundations Worldwide, Inc.; Model 5240259.
2. Characteristics:
  - a. Entire body 16 gauge 304 brushed stainless steel, seamless welds.
3. Equipped with a pneumatic cylinder.
4. Smooth nylon belt with Thermoplastic Polyurethane coating. Easy to sanitize and adjustable with one hand.
5. Meets ASTM F2285 requirements for weight bearing changing stations.
6. **A.D.A. Compliance:**

306.3	Knee Clearance
307.2	Maximum Protruding Objects
308.2	Forward Reach
308.3	Reach Side
309.4	Operation
902.3	Work Surface

Compliant when properly installed.
7. ANSI compliant safety labels.
8. CPSIA compliant to applicable sections.

