

# mediclinics

[www.mediclinics.com](http://www.mediclinics.com)

HAND DRYERS

M06A / M06AC / M06ACS  
M06AF / M06AB

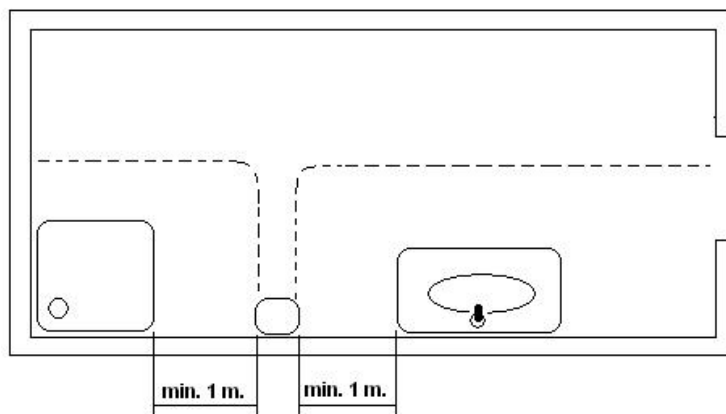


INSTALLATION AND OPERATING MANUAL

## SAFETY INSTRUCTIONS

**Before to carry on any operation, please read carefully and take into account the following safety instructions:**

- Only a qualified technician can install, adjust and maintain this device. All this operations must be always done according to the current legal European Standards of installation and according the local installation regulations as well.
- Be careful when the casing of the appliance is dismantled because active parts of the device become accessible and then there is a potential risk of an electric shock.
- Before any electrical manipulation, the electrical current must be cut in order to avoid any electric shock risk
- The device must be fixed out of reach of a water source in order to fulfil the security distances marked into the current IEC standards and as the following figure shows:



- Be careful because local installation requirements can ask more than 1 m of safety distance. Take into account these local requirements as well.
- Hairdryers must be fixed out of reach of a person taking a bath or a shower.
- Means for disconnection, with contact separations at least 3 mm (0.12"), must be incorporated in the fixing wiring involving all poles, accordingly to the current legal European Standards.
- The installer must make sure that the electric system is grounded in accordance with the law in force.

- This appliance can be used by children aged from 8 years and above and persons with reduced physical, sensory or mental capabilities or lack of experience and knowledge if they have been given supervision or instruction concerning use of the appliance in a safe way and understand the hazards involved. Children shall not play with the appliance. Cleaning and user maintenance shall not be made by children without supervision.
- The device could not be installed on a normally inflammable surface.
- To fix the hand dryer to the wall follow the instructions of this manual and use the template provided with the device as well. To fix the machine with adhesives or similar methods is forbidden by the European safety standards.

## INTRODUCTION

The Hand dryers Speedflow family has the following technical features:

- Automatic operation (IR sensors).
- Universal input voltage. Hand dryer works at 100-240 V and 50/60 Hz range.
- Adjustable range detection (50-230 mm)
- Motor speed adjustable.
- Vandal proof operation system (no more than 60 seconds of continuous running).
- ADDAG compliance (ADA Accessibility Guideline).

## INSTALLATION

**Mains connection and regulations of motor speed and range detection must be handled by an authorized technician.**

The appliance is supplied with the two lower screws screwed to the base that secures the cover from the inside.

The cover should be removed in the following manner:

1. Screw the lower screws in a clockwise direction (CW) with the supplied special tool until they are fully screwed in place (see figure n° 1).



2. Remove the cover by raising it a slight angle until the upper securing tab is freed (see figure n° 2). Remove the cover in a vertical direction without striking the inside of the machine (see figure n°3).

**WARNING: when the cover is removed, live parts of the appliance are exposed.**

During this operation do not:

- Damage any internal components, especially the electronic circuit housed under the volute (see figure n° 4).

- Scratch the cover or the visor of the IR sensor.

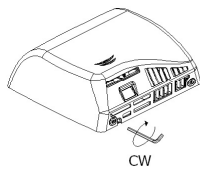


Figure n° 1

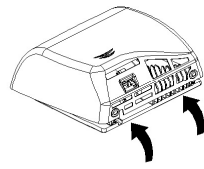


Figure n° 2

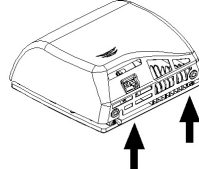


Figure n° 3

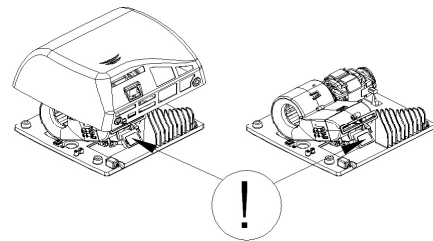


Figure n° 4

The appliance's electrical installation is made via rear channelling (figure n° 5), as follows:

1. Drill four Ø 8 mm (Ø 0.31") holes using the supplied template. Clean up the holes once they have been made. Insert the four plugs until they are flush with the surface (see figure 6).

2. Pass the 3 electric cables (3 cables 16 AWG/105°C) from the wall through the entrance hole (Ø 22 mm - Ø 0.87") as figure n° 8 shows.

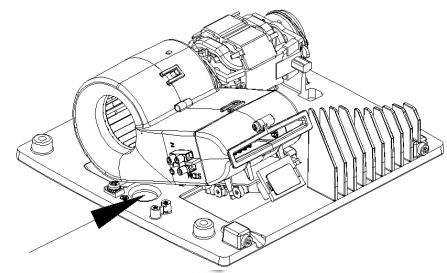


Figure n° 5

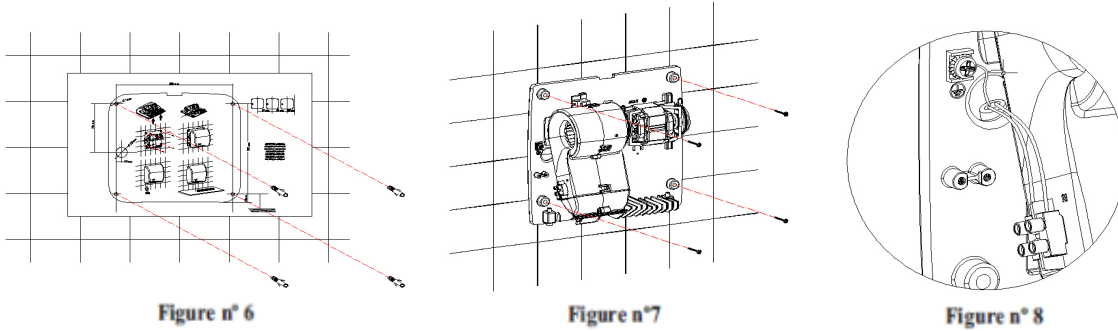
**Means for disconnection with contact separations at least 3 mm (0.12") must be incorporated in the fixing wiring.**

**During the installation process, the protection areas should be considered according to Standard VDE 0100.**

3. Assure that the four silent blocks of the base-plate are properly located. Screw in the four supplied screws to firmly secure the base of the appliance to the wall (see figure 7).

4. Connect the Neutral and Line (N, L) wires to the terminal block and the A/V cable to the earth connection screw (Class I) as figure n° 8 shows.

5. Installing the cover on the hand dryer taking care to insert the upper tab in its housing in the base-plate (see figure n° 9).
6. Unscrew the screws in a counter-clockwise direction (CCW) using the supplied special tool (see figure 10).
7. Place the hands inside the detection area of the appliance in order to assure the right performance of the hand dryer.

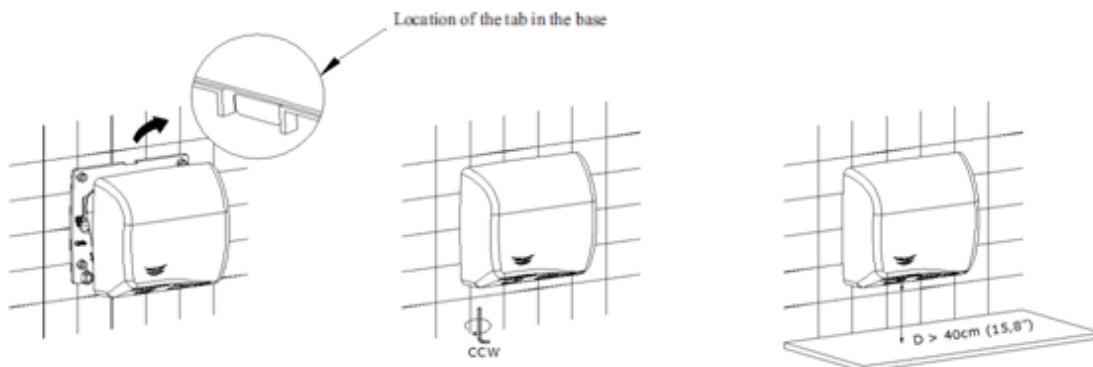


Care must be taken during this operation not to touch the electronic circuit that is housed under the volute.

NOTE: a minimum distance of 40 cm (15.8") must be allowed between any possible shelves, marble or washbasins (see figure 11). As far as possible, reflecting surfaces should be avoided within the operating range of the IR sensors.

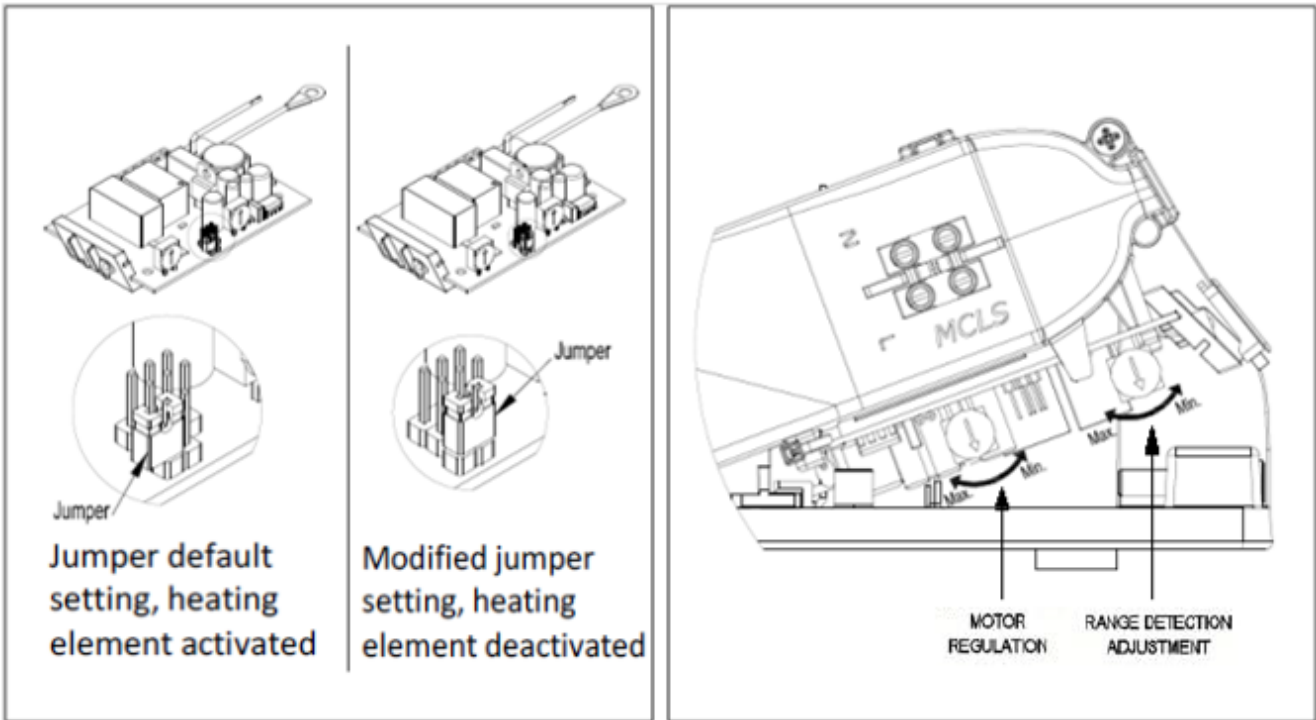
**MACHINE MUST BE HANDLED ONLY BY AN AUTORIZED TECHNICIAN.**

The hand-dryer must only be installed on a closed surface, such as a wall, partition or similar.

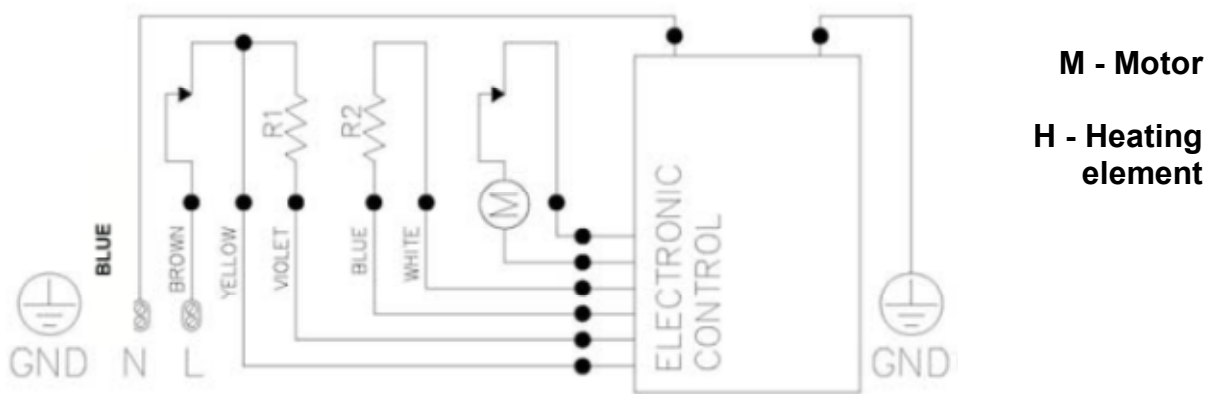




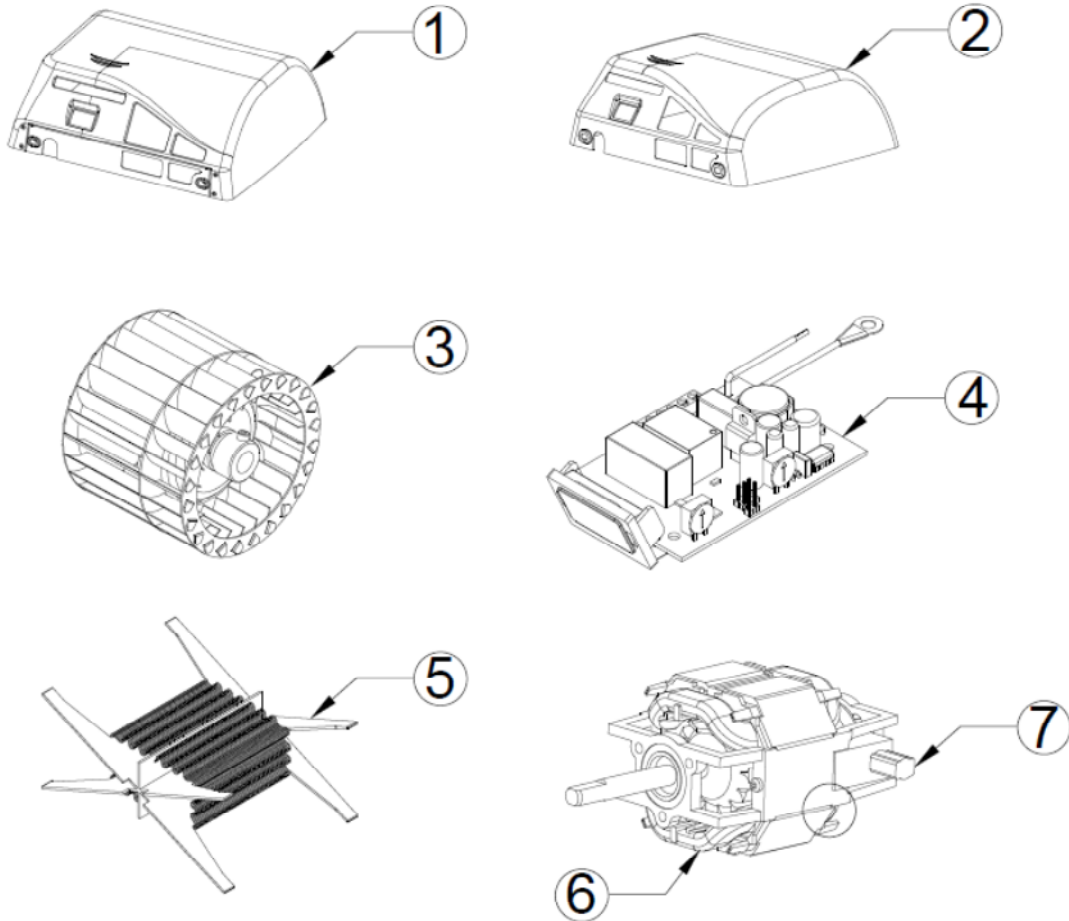
## INSTALLATION



## WIRING DIAGRAM



## BREAKDOWN LIST OF BASIC PARTS



COMPONENT	NUMBER	CODE
Cast iron cover	1	RC 9231001SMD
White cover	2	RC 9224001SMD
Brilliant cover	2	RC 9213001SMD
Satin cover	2	RC 9212001SMD
Turbine	3	RC 9151001SMD
Electronic sensor	4	RC 9121014SMD
Heating element	5	RC 9141004SMD
Motor	6	RC 9111002SMD
Motor brushes	7	RC 9491001SMD



## METHOD OF USE

Speedflow hand dryers family operates by hands detection when it detects their presence. To dry hands correctly we recommend rising well to remove all traces of soap.



**Figure n° 13**

If hands are held 60 - 70 mm. (2.36 - 2.76") from the air outlet, the hand dryer will automatically start-up (see figure n° 13). The machine will stop 2 - 3 seconds after use.

Range detection can be adjusted turning around the potentiometer as figure n° 12 shows.

This hand dryer has a system to avoid vandalism and for this reason the device will completely stop working after 60 seconds operating without interruption.

**This appliance is not intended for use by persons (including children) with reduced physical, sensory or mental capabilities, or lack of experience and knowledge, unless they have been given supervision or instruction concerning use of the appliance by a person responsible for their safety.**

**CHILDREN SHOULD BE SUPERVISED TO ENSURE THAT THEY DO NOT PLAY WITH THE HAND DRYER.**

## PREVENTATIVE MAINTENANCE AND CLEANING

Correct cleaning of the machine will lengthen its working life considerably.

When in use, the machine will accumulate dust inside wich should be cleaned out if used regularly, at least once a year.



## CLEANING METHOD

1. Remove the mains supply to the hand-dryer.
2. Remove the cover (see the section "INSTALLATION" in this manual).
3. Clean away any accumulated dust on the scroll-fun with a soft-bristle brush while rotating it manually.
4. Use the same brush to clean away all accumulated dust from the other components.
5. Use a medium brush to clean the air inlet grill. Check the motor brushes condition. These should be replaced when they are less than 5 mm (0.2").
6. Carefully remove any dust from the electronic circuit using a fine brush. Check that there is no dust or other dirt on the hand-detection sensors.
7. Ensure that the IR LED visor is totally clean.
8. Start up the machine and leave until no further dust remaining from the cleaning process, comes out from the air outlet.

### CLEANING OF THE COVERS

**For cleaning purposes only a wet cloth is to be used. Do not use any kind of detergent, acids, lye, abrasives, hydrochloric acid, etc.**

**Take care not to damage or force any component.**

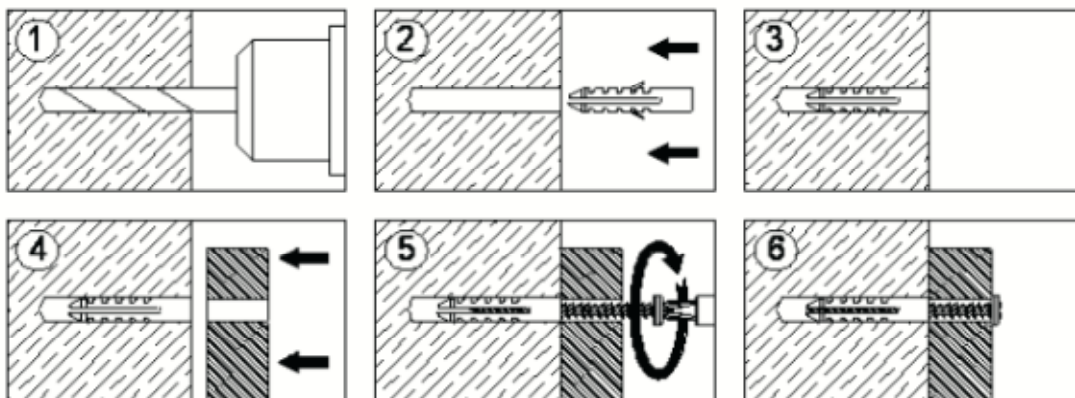
**NOTE: All maintenance and cleaning processes must be carried out by qualified personnel.**



**ANNEX**

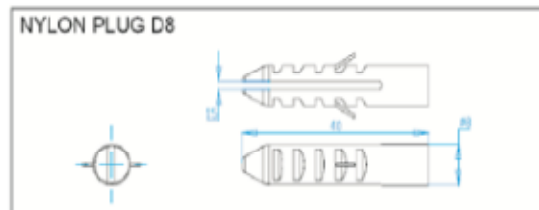
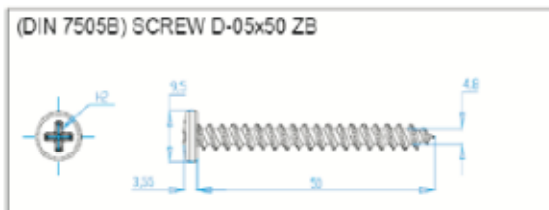
**MOUNTING INSTRUCTIONS**

- To mount onto wall, be sure there are no hidden electrical circuits or pipes in the mounting location.
- Place the mounting template (provided) on the wall to mark location of four mounting screw holes.
- Drill four holes (Fig.1) Ø8 (5/16") diameter and 45mm (1 ¾") depth.
- Take off the residual dust from the holes.
- Insert nylon plugs (provided) into four holes (Fig.2-3).
- Place base plate on wall (Fig.4).
- Fix the base plate firmly on the wall (Fig.5-6).



**MOUNTING ITEMS PROVIDED.**

- 4 screw.
- 4 Plug.
- 1 Mounting template.
- 1 Instruction manual.





**ELIMINACIÓN DE RESIDUOS DE APARATOS ELÉCTRICOS Y ELECTRÓNICOS POR PARTE DE USUARIOS DOMÉSTICOS EN LA UNIÓN EUROPEA.**

El producto que ha adquirido ha sido diseñado y fabricado con materiales y componentes de alta calidad que pueden ser reciclados y reutilizados.



Cuando vea un producto marcado con este símbolo de un contenedor de basura con ruedas tachado significa que dicho producto está regulado por la Directiva Europea 2002/96/EC sobre residuos de aparatos eléctricos y electrónicos. Este símbolo indica que el producto no se puede desechar junto con los residuos urbanos habituales. Cuando un producto marcado con dicho símbolo deba ser eliminado es responsabilidad del usuario entregarlo en un punto de recolección de aparatos eléctricos y electrónicos designado.

Para obtener más información sobre cómo desechar sus aparatos eléctricos o electrónicos una vez hayan concluido su vida útil, póngase en contacto con las autoridades locales, el servicio de gestión de residuos urbanos o el establecimiento donde adquirió el producto. La correcta recogida y tratamiento de los aparatos inservibles contribuye a preservar recursos naturales y también a evitar riesgos potenciales para la salud pública.

**DISPOSAL OF WASTE ELECTRICAL AND ELECTRONIC EQUIPMENT BY DOMESTIC USERS IN THE EUROPEAN UNION.**

The product you have purchased has been designed and manufactured using high-quality materials and components that can be recycled and reused.



If you see a product marked with this symbol, consisting of a crossed-out rubbish bin with wheels, it means that the product is regulated by European Directive 2002/96/EC regarding the disposal of waste electrical and electronic equipment. This symbol indicates that the product must not be disposed of together with habitual municipal waste. Owners and users of all products marked with this symbol should take them to a specially designated collection point for waste electrical and electronic equipment.

For further information on how to dispose of waste electrical or electronic equipment once its useful life has ended, please contact your local authorities, the urban waste disposal service or the establishment in which the product was purchased. The proper collection and disposal of old equipment contributes to preserving the natural environment and preventing potential hazards to public health.

**ENTSORGUNG VON ABFALLPRODUKTEN ELEKTRISCHER UND ELEKTRONISCHER GERÄTE VON PRIVATPERSONEN IN DER EUROPÄISCHEN GEMEINSCHAFT**

Das von Ihnen erworbene Produkt ist unter Verwendung hochwertiger Materialien und Bauteilen entwickelt und hergestellt worden, die wiederverwertet und –verwendet werden können.



Wenn ein Produkt mit dem nebenstehenden Symbol – ein durchgestrichener Müllcontainer auf Rädern – gekennzeichnet ist, dann bedeutet dies, dass dieses Produkt der Europäischen Richtlinie 2002/96/EC über elektrische und elektronische Abfallprodukte unterliegt. Dies bedeutet, dass das Produkt nicht mit dem gewöhnlichen Haushaltsmüll entsorgt werden darf. Wenn ein derart gekennzeichnetes Produkts entsorgt werden muss, dann ist es Verantwortung des Anwenders, das Produkt in einem speziell für elektrische und elektronische Abfallprodukte ausgewiesenen Wertstoffhof zu entsorgen.

Wenn Sie mehr Information über die Entsorgung von elektrischen und elektronischen Abfallprodukten nach deren Nutzungsdauer wünschen, dann setzen Sie sich bitte mit den örtlichen Behörden, mit dem für die Hausmüllentsorgung beauftragten Unternehmen oder mit dem Geschäft in Verbindung, in dem Sie das Produkt erworben haben. Die richtige Entsorgung und Behandlung von nicht mehr brauchbaren Geräten trägt zur Beibehaltung der natürlichen Ressourcen bei und verhindert potenzielle Gefahren für die allgemeine Gesundheit.

**ÉLIMINATION DES DÉCHETS DES ÉQUIPEMENTS ÉLECTRIQUES ET ÉLECTRONIQUES PAR LES UTILISATEURS DOMESTIQUES DANS L'UNION EUROPÉENNE.**

Le produit dont vous venez de faire l'acquisition a été conçu et fabriqué à l'aide de matériaux et de composants de haute qualité qui peuvent être recyclés et réutilisés.



Quand vous voyez un produit portant ce symbole de container poubelle sur roues barré, cela signifie que ledit produit est régulé par la Directive Européenne 2002/96/CE relative aux déchets d'équipements électriques et électroniques. Ce symbole indique que le produit ne peut pas être jeté avec les déchets urbains habituels. Lorsqu'un produit marqué par ce symbole doit être jeté, il en va de la responsabilité de l'utilisateur de le remettre à un point de collecte appareils électriques et électroniques désigné.

Pour obtenir plus d'informations sur le moyen de jeter vos appareils électriques et électroniques une fois leur durée de vie épuisée, contactez les autorités locales, le service de gestion des déchets urbains ou l'établissement où vous avez acheté le produit. La collecte et le traitement corrects des appareils inutilisables contribue à préserver les ressources naturelles et également à éviter des risques potentiels pour la santé publique.

**SMALTIMENTO DEI RIFIUTI D'APPARECCHIATURE ELETTRICHE ED ELETTRONICHE DA PARTE DEGLI UTENTI DOMESTICI ALL'INTERNO DELL'UNIONE EUROPEA.**

Il prodotto che avete acquistato è stato disegnato e fabbricato con materiali e componenti d'alta qualità che possono essere riciclati e riutilizzati.



Quando un prodotto è contrassegnato con questo simbolo, un bidone di spazzatura con ruote sbarrato, significa che è regolato dalla direttiva europea 2002/96/EC sui rifiuti d'apparecchiature elettriche ed elettroniche. Questo simbolo indica che il prodotto non deve essere smaltito insieme ai normali residui urbani. Quando si deve smaltire un prodotto contrassegnato con questo simbolo è responsabilità dell'utente provvedere a depositarlo negli appositi punti di raccolta destinati ad apparecchiature elettriche ed elettroniche.

Per ottenere maggiori informazioni circa lo smaltimento delle apparecchiature elettriche ed elettroniche ormai inutilizzabili, Vi invitiamo a contattare le autorità locali di competenza, il servizio di smaltimento rifiuti urbani o il rivenditore presso il quale avete acquistato il prodotto. La corretta raccolta ed il trattamento delle apparecchiature inutilizzabili aiuteranno a conservare le risorse naturali e a prevenire potenziali rischi per la salute pubblica.



**MEDICLINICS, S.A.**  
**Industria, 54**  
**E-08025 BARCELONA**  
**SPAIN**

Tel.: +34 934 464 700  
Fax: +34 933 481 039  
[info@mediclinics.com](mailto:info@mediclinics.com)  
[www.mediclinics.com](http://www.mediclinics.com)



**12/11/13 COD.: 9631002SMD**