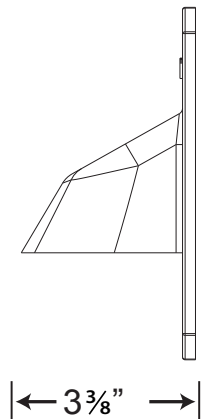
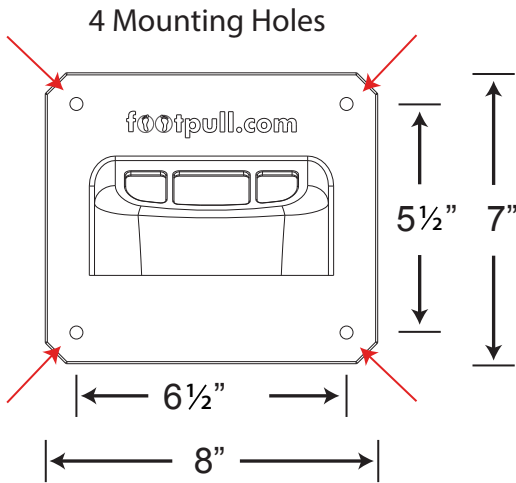


One Piece
Heavy Duty Aluminum

DURABLE
Powder Coated Finish



THE FOOTPULL:

A device that goes on the bottom of public restroom doors and allows the user to open the door with their foot instead of their hands. This alternative method for opening the door prevents the person from having to touch the door handle contaminating their hands upon leaving the facility. It is easy to use, safe for all shoes and sandals, requires no electricity and is easy to install.

CONSTRUCTION:

- Permanent cast solid one piece 356 aluminum
- Powder coat finish

INSTALLATION:

Mount to base of door 3 1/2" from the floor using the mounting screws for wood door. Drill holes and set anchors for hollow metal doors.

SPECIFICATIONS:

Footpull shall be fabricated of type 356 aluminum and powder coated for desired color. Install with footpull mounting kit as indicated.

FOOTPULL KIT:

Kit includes;

- 1 Footpull device
- Door sticker identifying the Footpull
- Mounting instructions
- All necessary hardware for wood or metal doors

DIMENSIONS & WEIGHT:

	Width (in.)	Depth (in.)	Height (in.)	Weight (lbs.)
Product Only	8	3 3/8	7	1.2
Single Box	8	8	5	1.6
Double Box	8	10	6	3
Bulk Orders	Call for details			

5 Year Limited Warranty

Supplier represents and warrants that this item will be free from defects in material or workmanship and that no defect in material or workmanship will prevent the item from functioning and performing in accordance with the specifications throughout the warranty period. To submit a claim, the customer must first contact the supplier to authorize a return. It is the customer's responsibility to arrange and pay for shipping the faulty item back to supplier for evaluation before any claim can be processed. After inspection, if, in the supplier's sole judgment, the item is deemed to be faulty and within the warranty period, supplier will deliver a new, similar or comparable item to the customer free of charge or, supplier will refund the original cost of the item, excluding any original shipping costs, at supplier's discretion. Supplier will arrange and pay for the cost of shipping the item back to the customer if within the 50 United States. It is the customer's responsibility to arrange and pay for shipping and other delivery fees outside of the 50 United States. Proof of purchase required for any claim.