

MODEL NUMBER & COLOR

HD0935-09 Brushed Stainless

HD0936-09^(special order) Brushed Stainless

COLOR OPTIONS

 (09) BRUSHED STAINLESS

TECHNICAL SPECIFICATIONS

Material: Stainless Steel

Motor Type: Adjustable brush type, dual ball bearings

Thermal Protection:

Thermostat Shuts Off 203°F (95°C)

Thermal Cut-Off at 185°F (85°C)

Operating Airflow: 16,535-19,882 LFM, Adjustable

Air Output Temperature:

122°F (57°C)

Ambient Temperature 77°F (25°C)

Sound Level: MIN 68.5dB to 70.5dB MAX @1m

Isolation: Class 1

Drip Proof: IP35

Watts: 500W

RPM: 22,000-29,000, Adjustable

Voltage & Amps:

HD0935-09	110/120 Volts	7.6-8.4 Amps
-----------	---------------	--------------

HD0936-09	220/240 Volts	3.8-4.2 Amps
	(special order)	

Mounting: Surface Spout with Undermount Motor



DIMENSIONS & WEIGHT

SPOUT - Above Countertop

Width: 1.97"

Height: 6.69"

Depth: 8.66"

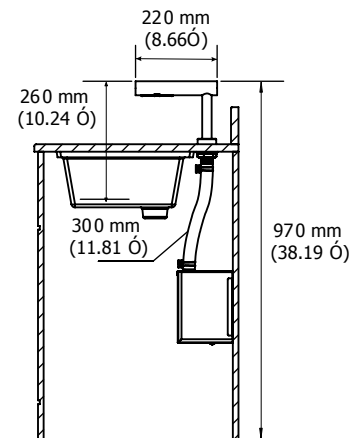
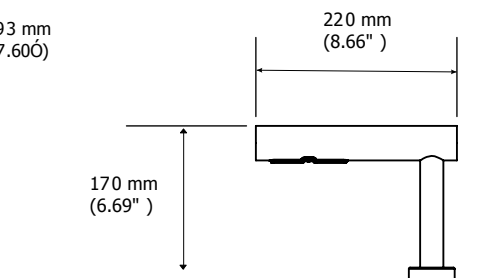
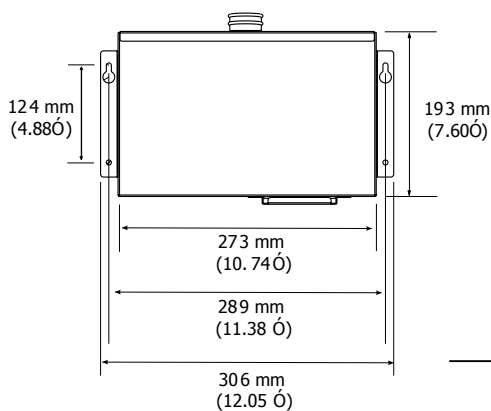
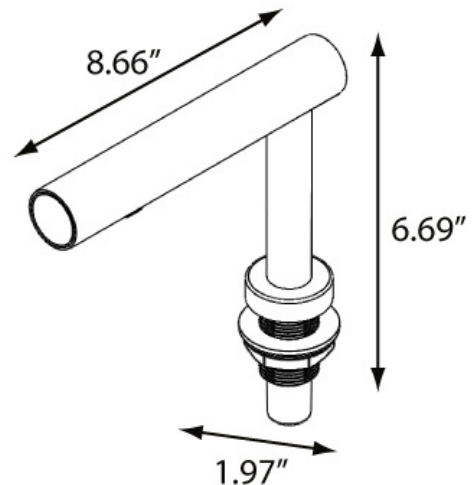
Weight: 12.3 lbs

MOTOR - Below Countertop

Width: 12.05"

Height: 7.60"

Depth: 5.85"



Phone: 920.884.8698
Toll-Free: 800.558.8678
Fax: 920.884.8699
Email: info@palmerfixture.com



Palmer Fixture
 PO BOX 10887
 Green Bay, WI 54307
Website: www.palmerfixture.com