

TD0245

Electra Touchless Roll Towel Dispenser



FEATURES



- Automatic, hygienic, hands-free operation
- Paper is fully protected until the user is ready
- Patented paper savings mode
- Easy to install paper, batteries and change settings
- Auto-transfer system prevents stub roll waste
- Low battery indicator light
- Longest battery life in the industry with up to 72,000 cycles, or 1 year
- Optional AC/DC Adaptor available

SPECIFICATIONS

Model #	TD0245-01 (Dark Translucent)	TD0246-01 (AC)
	TD0245-02 (Black Translucent)	TD0246-02 (AC)
	TD0245-03 (White Translucent)	
	TD0245-25 (Blue Translucent)	
	TD0245-26 (Red Translucent)	
	Dimensions	12.27" W x 15.20" H x 9.47" D
Weight	4.60 lbs	Case Pack 1 per case - 1.14' ³
Capacity	8"W & 8"D (1½" Core)	Key Type 1

AVAILABLE COLORS

Dark Translucent Cover with a Beige Back



Dark Translucent Cover with a Black Back



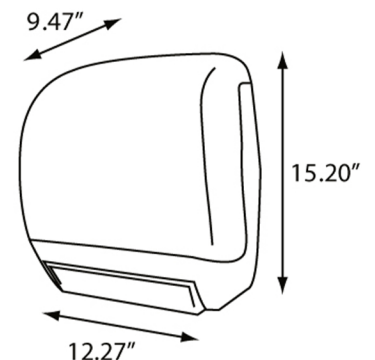
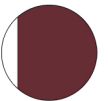
White Translucent Cover with a Beige Back



Blue Translucent Cover with a Beige Back



Red Translucent Cover with a Beige Back



V10.2019

Ph: 800.558.8678
Ph: 920.884.8698
Fax: 920.884.8699
info@palmerfixture.com



Palmer Fixture
P.O. Box 10887
Green Bay, WI 54307
www.palmerfixture.com