

TD0215

# Auto-Transfer Push Bar Roll Towel Dispenser



## FEATURES



- Heavy gauge steel body
- Easy loading with Automatic transfer system with 4" diameter stub roll capacity
- Double latch key lock with standard metal key
- Each push delivers 5-1/2" of toweling
- Impact resistant, durable plastic cover
- Door can be replaced without tools
- ADA Compliant

## AVAILABLE COLORS

Dark Translucent Cover with a Beige Back



Dark Translucent Cover with a Black Back

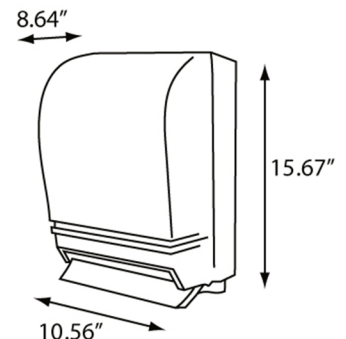


White Translucent Cover with a Beige Back



## SPECIFICATIONS

<b>Model #</b>	TD0215-01 (Dark Translucent)			TD0215-02 (Black Translucent)		TD0215-03 (White Translucent)	
<b>Dimensions</b>	10.56" W x 15.67" H x 8.64" D						
<b>Weight</b>	6 lbs	<b>Case Pack</b>	1 per case - 1.16' <sup>3</sup>				
<b>Capacity</b>	8"W & 8"D, 2 <sup>3</sup> / <sub>4</sub> " Stub (1 <sup>1</sup> / <sub>2</sub> - 2" Core)			<b>Key Type</b>	1		



Ph: 800.558.8678  
 Ph: 920.884.8698  
 Fax: 920.884.8699  
 info@palmerfixture.com



Palmer Fixture  
 P.O. Box 10887  
 Green Bay, WI 54307  
 www.palmerfixture.com

V10.2019