

SF2111

# Manual Bulk Foam Soap Dispenser



## FEATURES



- Dispenses approximately .7 ml per use
- Easy to use and refill
- Large window for easy view of soap supply
- Reservoir hold 1,000 mL
- ADA Compliant

## AVAILABLE COLORS

Platinum



Black

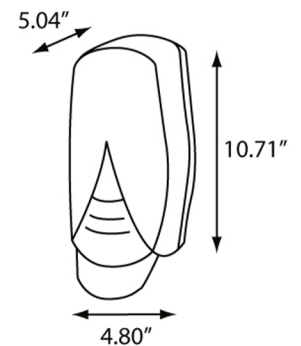


White



## SPECIFICATIONS

<b>Model #</b>	SF2111-08 (Platinum) SF2111-16 (Black) SF2111-17 (White)		
<b>Dimensions</b>	4.80"W x 10.71"H x 5.04"D		
<b>Weight</b>	1.15 lbs each	<b>Case Pack</b>	12 per case - 2.24' <sup>3</sup>
<b>Capacity</b>	1000mL Foam Soap	<b>Key Type</b>	10



Ph: 800.558.8678  
 Ph: 920.884.8698  
 Fax: 920.884.8699  
 info@palmerfixture.com



Palmer Fixture  
 P.O. Box 10887  
 Green Bay, WI 54307  
 www.palmerfixture.com

V10.2019