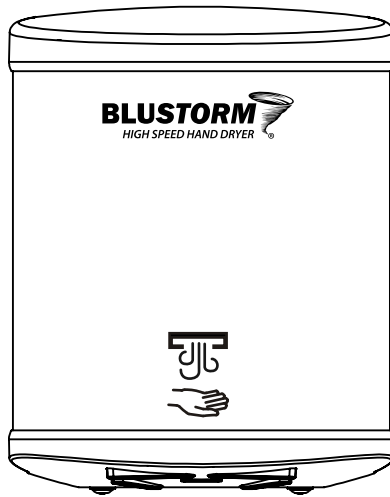


**PALMER  
FIXTURE  
COMPANY**

# Hand Dryer

## Automatic

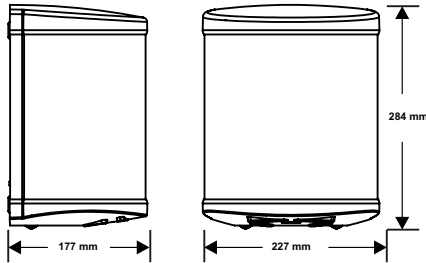


Palmer Fixture Company  
P.O. Box 10887  
Green Bay, WI 54307  
1-800-558-8678  
[www.palmerfixture.com](http://www.palmerfixture.com)



**Operating Instructions and Parts Manual (Automatic)**

**Surface Mount**



**HD0950-09  
HD0951-09**

**TECHNICAL SPECIFICATIONS**

ITEM CATEGORY	PERFORMANCE DATA
Operating Voltage	<b>HD-0950-09</b> 110-120Vac, 50/60 Hz, 1.19-1.4 kW <b>HK-0951-09</b> 220-240Vac, 50/60 Hz, 1.19-1.4 kW
Warm Air Speed Output	145.4-212.5 mi/hr (65-95 m/s), adjustable
Air Output Temperature	131°F (55°C) – Ambient Temp. 77°F(25°C)
Dryer Shall Deliver	32.4-58.9 CFM (55-100 m³/h)
Motor Type	350-700W, 12000-18000 R.R.M., Adjustable; Brush Type, Dual Ball Bearings
Motor Thermal Protection	Auto Resetting Thermostat turns unit off, 120V at 275°F (135°C), 240V at 221°F (95°C)
Heater Element	450-700W, adjustable
Heater Thermal Protection	Auto Resetting Thermostat turns unit off at, 185°F (85°C)
Drying Time	Less than 15 seconds
Circuit Operation	Infrared Automatic, self adjusting
Sensor Range	4" to 13" [51 mm to 330 mm], adjustable; standard 7" [18 cm ± 2 cm]
Timing Protection	60 seconds auto shut off
Drip proof	IP31 ◆
Isolation	CLASS 1
Net Weight	12.1 lbs (5.5 kgs)
Shipping Weight	13.4 lbs (6.1 kgs)
Unit Size	8-15/16" W x 11-3/16" H x 6-31/32" D [227 mm x 284 mm x 177 mm]

**COVER TYPE/ COVER FINISH**

Stainless steel; #4 satin finished. (AISI 304 t:1.5 mm)

## General safety information

**⚠ WARNING** This product is intended for installation by a qualified service person. Use 2.0 mm<sup>2</sup> (AWG NO.14) solid conductor for wiring.

**⚠ DANGER** Failure to properly ground unit could result in severe electrical shock and/or death.

**⚠ WARNING** Disconnect power at the service breaker before installing or servicing. Full pole disconnection device must be incorporated in the fixed wiring in accordance with the wiring rules.

**⚠ WARNING** All units must be supplied with a 3-wire service. The ground wire must be connected to the dryer's backplate.

**NOTE:** We do not recommend installing this dryer above a basin. If you are installing this dryer above a basin, please make sure that reflection won't occur.

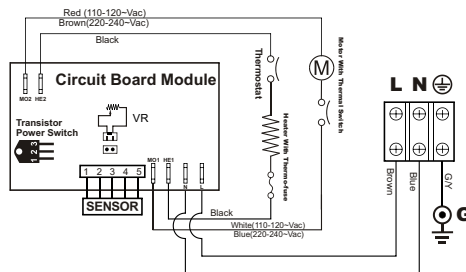
### [Type Y attachment]

If the power supply cord is damaged, it must be replaced by the manufacturer or its service agent or a qualified person in order to avoid a hazard. Disconnect the fixed wiring only in accordance with the wiring rules.

This appliance is not intended for use by persons (including children) with reduced physical, sensory or mental capabilities, or lack of experience and knowledge, unless they have been given supervision or instruction concerning use of the appliance by a person responsible for their safety.

Children should be supervised to ensure that they do not play with the appliance.

## Circuit Diagram



## Installation

1. Make sure power supply breaker is switched off. Installation must be carried out in accordance with the current edition of the local wiring regulations code having jurisdiction. Installation should be performed only by a qualified electrician.
2. Place template against wall at desired height (see mounting height recommendations) and mark locations of 4 mounting holes and wire service entry at knockout (KO) location.

**Note:** For two or more dryers, dryers should be no closer than 24 inches (610 mm) on center.

3. Remove upper and lower retaining screws with the Allen wrenches provided.
4. Connect supply wires to terminal block where indicated and connect ground wire to base plate with ground screw

Connections :

- A. Connect the live wire (colored red or brown or white) to the terminal block where marked " **L** ".
- B. Connect the neutral wire (colored black or blue) to the terminal block where marked " **N** ".
- C. Connect the earth wire (colored green and yellow or green), note bare earth wires should be sleeved with green and yellow or green sleeving to the ground washer where marked with the earth symbol " ⊕ ".

**Note that colors of live and neutral wires depend on voltage of supply service.**

5. Replace cover. Do not over-tighten screws.

## Recommended mounting heights

- from bottom edge of dryer above finished floor (AFF)

Men	50"	(1270 mm)
Woman	47"	(1194 mm)
Children 4-7 years	35"	(889 mm)
Children 8-10 years	39"	(991 mm)
Children 11-13 years	43"	(1092 mm)
Children 14-16 years	47"	(1194 mm)
Handicapped	40"	(1016 mm)

## Cleaning and Maintenance

Periodic cleaning of the unit is recommended to ensure optimum performance.

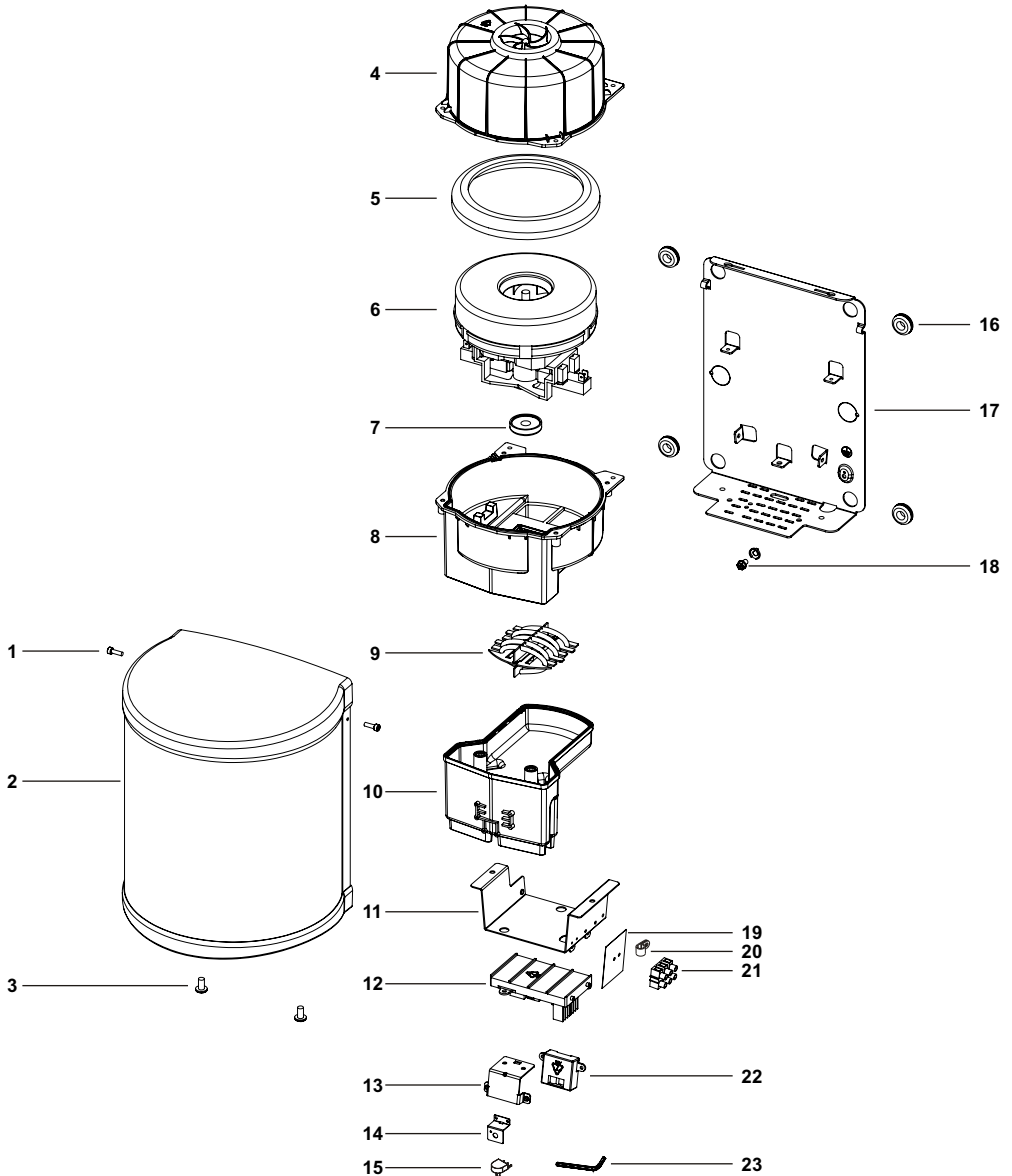
- Disconnect the electrical supply.
- Remove upper and lower retaining screws with the Allen wrenches provided.
- Remove the cover.
- Clean all dust lint from the interior of the dryer.
- Wipe the cover with a damp cloth and mild cleaning solution. Do not Soak. Never use abrasives to clean the cover.
- Replace the cover. Do not over tighten the screws.



## Operation

- No-touch operation.
- Shake excess water from hands.
- Place hands under the outlet to start operation.
- Rub hands lightly and rapidly.
- Stops automatically after hands are removed.

## Diagram



## Repair parts list

Key	Description
1	Side cover screw (2 reqd.)
2	Stainless Steel - Satin finish
3	Security hex screw (2 reqd.)
4	Blower housing - Top
5	Motor rubber - Large
6	Motor 110-120Vac 700W Motor 220-240Vac 700W
7	Motor rubber - Small
8	Blower housing - Bottom
9	Heater element 120Vac 700W Heater element 240Vac 700W
10	Air outlet
11	Air outlet bracket
12	Circuit Board Module 110-120Vac Circuit Board Module 220-240Vac
13	Sensor bracket
14	VR bracket
15	VR (variable resistance) 50K - 110-120Vac VR (variable resistance) 100K - 220-240Vac
16	Rubber grommet -Base (4 reqd.)
17	Base plate
18	Grounding screw
19	Insulation mylar
20	Cable clamp
21	Terminal block
22	Sensor Module
23	Security hex wrench

