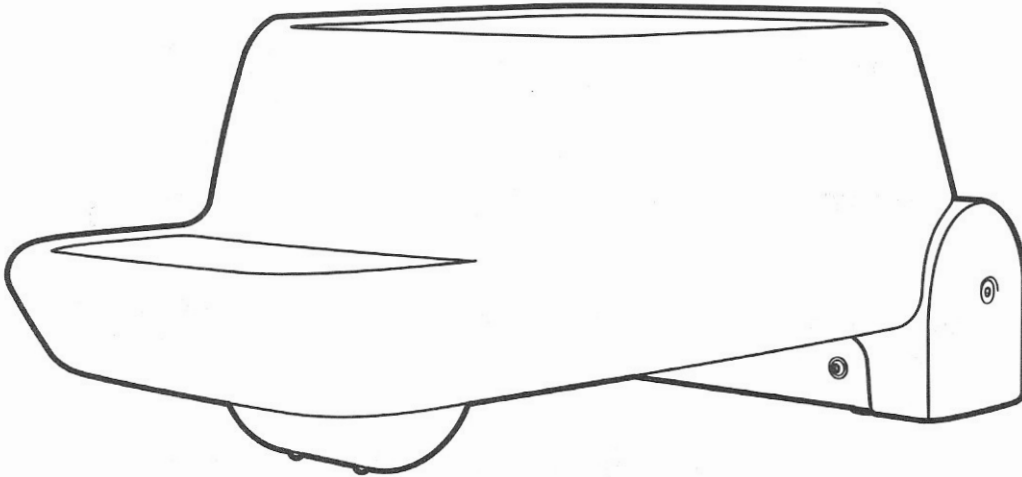




Koala Kare Products

Installation & Operations Instructions



KB348

Koala Step



Important. Retain for future reference. Read carefully.

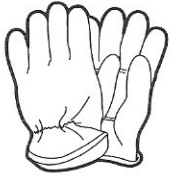
To assure proper installation, it is suggested that a qualified person or carpenter install the Koala Step. Koala Kare Products will not be responsible if the Koala Step is not installed properly. Koala Step has been tested to hold a substantial static load. The unit must be attached to a permanent floor that is capable of holding a substantial load.

You are responsible for the safe operation of this unit.

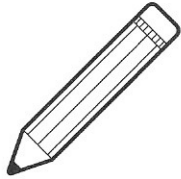


KB348 Installation Instructions

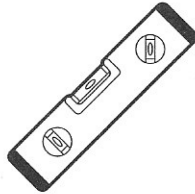
Tools Needed



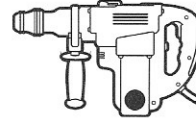
Safety Gloves



Pencil



Level



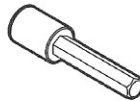
Hammer Drill



Drill



3/16" (4.5mm)
Concrete Drill Bit

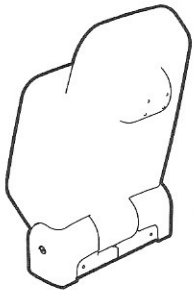


5/32" (4mm)
Allen Wrench

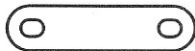


5/16" (8mm)
Socket

Hardware Provided



Step Body
Quantity: 1



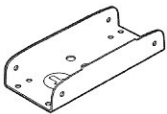
Spacer Brackets
Quantity: 2



1/4" x 2 3/4"
Hex-Washer Head Anchor Screws
Quantity: 4



M6 x 1mm x 16mm
Flanged Button Head Screws
Quantity: 4



Base
Quantity: 1



Flat Washers
Quantity: 4



Lock Washers
Quantity: 4



Scan the QR code to find product resources. Also available at:
www.koalabear.com/product-catalog/kb348/



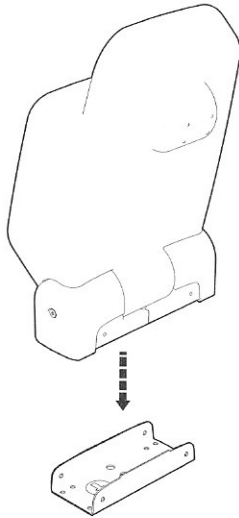
*Diagrams are not to scale.



KB348

Installation Instructions

Fig. 1



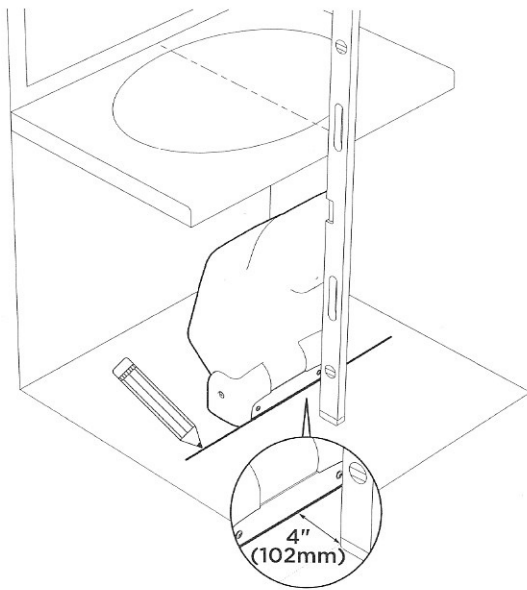
Step 1:

- **WARNING:** The Step is designed to be bolted to a solid concrete surface. If you have a different substrate please contact Koala Kare Products' Customer Service at 888.733.3456 for additional information.
- Insert the Step body into the base. Do not install screws at this point. **Fig. 1**

Step 2:

- Align a level with the edge of the counter, making sure it is centered with the sink. **Fig. 2**
- Place the Step under the sink, with its nose against the level.
- Draw a line along the base of the Step. The line must be 4" away from the level and parallel to the wall.

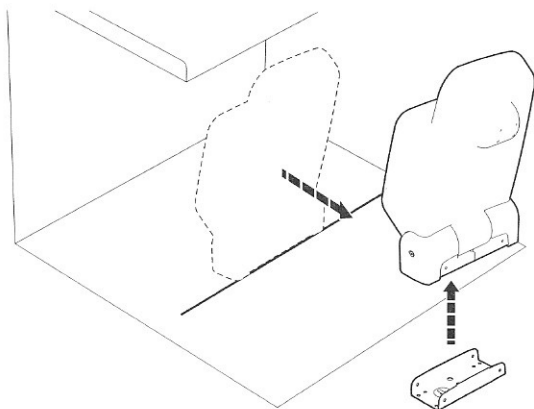
Fig. 2



Step 3:

- Remove the Step from under the sink. **Fig. 3**
- Remove the body from the base.

Fig. 3

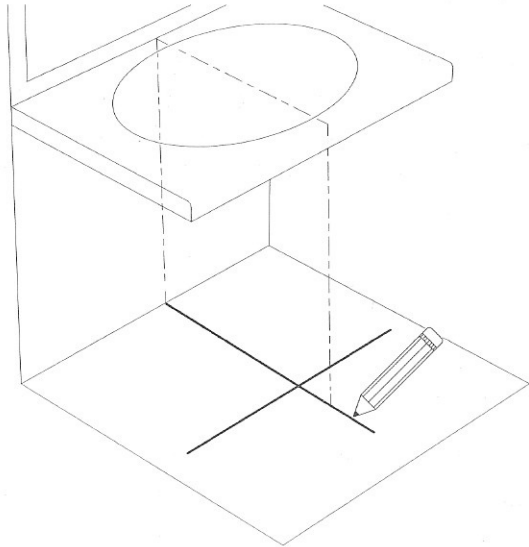


*Diagrams are not to scale.



KB348 Installation Instructions

Fig. 4



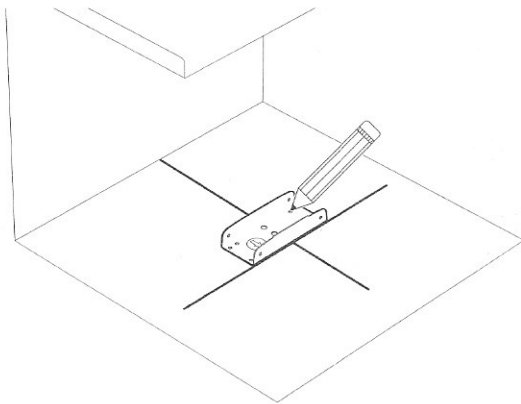
Step 4:

- Transfer the center line of the sink onto the floor by drawing a line perpendicular to the line drawn in previous step. **Fig. 4**

Step 5:

- Place the base on the lines as shown, making sure that it is centered with the line drawn in previous step. **Fig. 5**
- Hold the base firmly in place.
- Mark the position of the 8 holes on the floor and remove the base.

Fig. 5



Step 6:

- Use a 3/16" (4.5mm) drill bit to drill the 4 outer holes (2 on the left and 2 on the right), taking care when initially drilling through the tile. **Fig. 6**
- **WARNING:** If you encounter a problem drilling any of the 4 outer holes, i.e. hitting embedded rebar, you may use one of the other marked locations, as long as you end up with 2 holes in each row as shown in diagram holes. **Fig. 7**
- Use vacuum or similar to remove debris from the hole.

Fig. 6

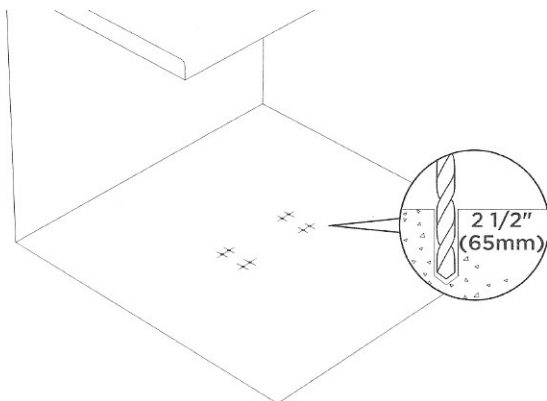
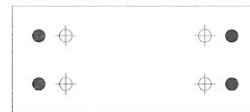


Fig. 7



Alternative Configurations:





KB348 Installation Instructions

Step 7:

- Align the 2 spacer brackets with the drilled holes as shown. **Fig. 8, Fig. 9**

Fig. 8

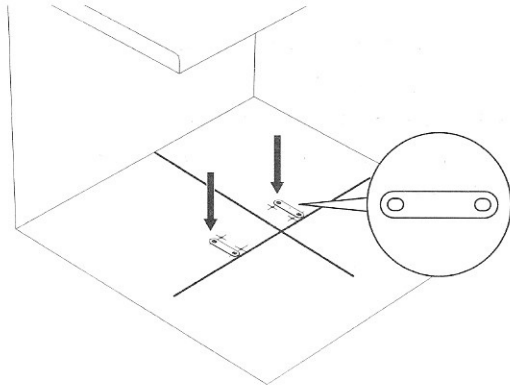


Fig. 9



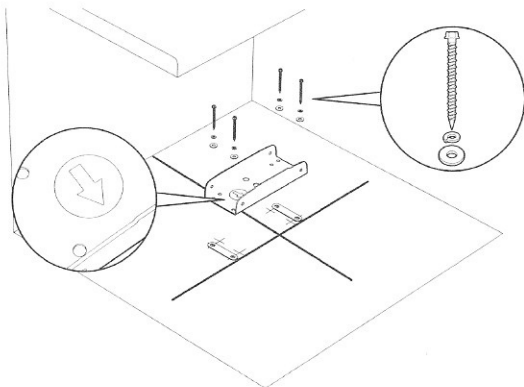
Alternative Configurations:



Step 8:

- Use the 4 provided anchor screws, with the flat and lock washers to secure the base. **Fig. 10**
- Ensure the base is oriented with the arrow forward.

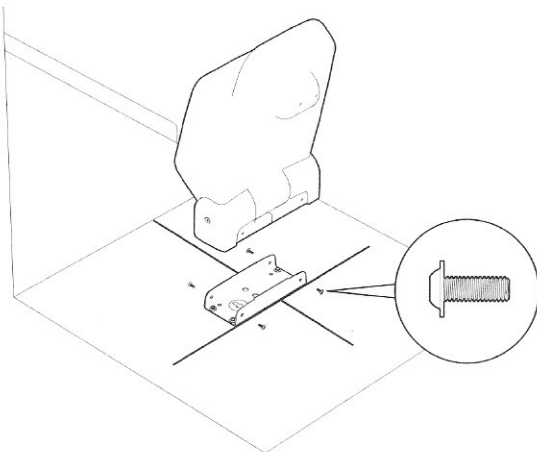
Fig. 10



Step 9:

- Insert the Step body into the base.
- Secure with the 4 flanged button head screws through the sides of the base. **Fig. 11**

Fig. 11



*Diagrams are not to scale.



KB348

Installation Instructions

Step 10:

- Test step by folding down and releasing, to ensure it moves freely. **Fig. 11**
- **WARNING:** Do not seal the space between the base and the floor. Air must circulate freely under the Step. **Fig. 12**

Fig. 11

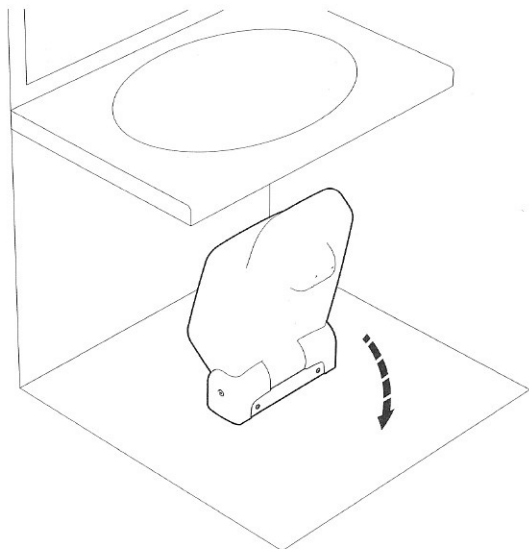
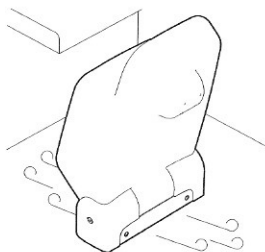


Fig. 12



This page intentionally left blank.

Koala Kare Products
A Division of Bobrick

6982 South Quentin Street, Centennial, CO 80112-3945

Main: 303.539.8300 | **Toll Free:** 888.733.3456 | **Fax:** 303.539.8399

Website: koalabear.com | **Email:** customerservice@koalabear.com