

Automatic Multi-Function Dispenser



Automatic foam soap dispenser becomes a trend in public washrooms. The patented foam soap pump not only produces big, soft, cloudlike bubbles, but also houses innovative technology to keep the automatic foam soap dispenser free from leakage problems and leftover soap mess.



MULTI FUNCTION RANGE

Why HK-MSD?

Specs



hands- free



AC adapter available



800 ml soap bottle



battery life up to 25k uses



foam: one drop 0.7-1.0 ml



liquid: one drop 0.8-1.1 ml



disinfectant spray:
one drop 0.8-1.1 ml

Design



interchangeable pump



no leakage problem



security lock and key



refillable soap bottle



auto-detecting sensor



LED indicator



quiet operation

Suitable for...



operating room



hospital



restaurant



shopping mall



postnatal care
center



playground

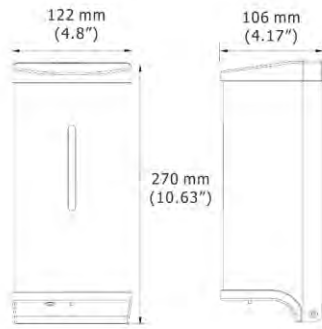


kindergarten



public toilet

Specification

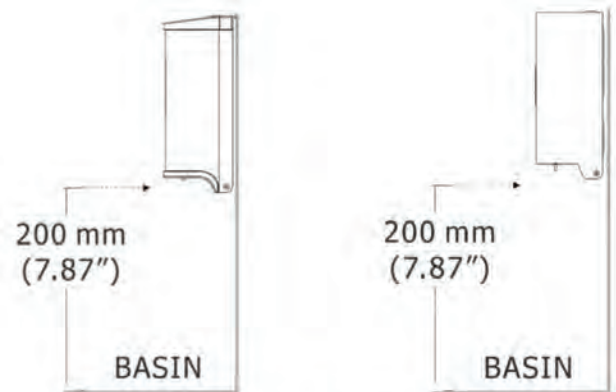
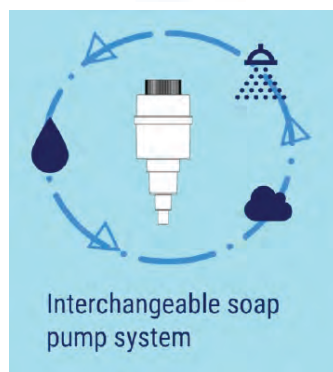


Model Name	HK-MSD11/21/31
Cover Material	Stainless Steel (#304) & ABS
Capacity	800 ml
Battery Type	AA type x 4

Packaging (carton)	HK-MSD11/21/31: 12 dispensers/carton. Gross weight 15.2kg. Measurement 2.4'
Battery Life	Liquid type: 25k drops/cycles Foam type: 25k drops/cycles Disinfectant spray: 16k drops/cycles
Soap Pump Life	Liquid type: 100k cycles Foam type: 100k cycles Disinfectant spray: 100k cycles
Light Indication	Blue LED light flash four times for sensing range detection Flashing blue light: low batteries
Safe Operation	Power off automatically once casing is opened.
Patented Soap Pump	Prevent leakage problem Prevent leftover soap mess
Smart Design	All key parts are independent for easy maintenance. Container assembly and mechanism of dispenser are 100% separation; mechanism is free from damage by soap.

Safety Approvals

EMC CB RoHS WEEE



Recommended Installation Height: 200 mm

