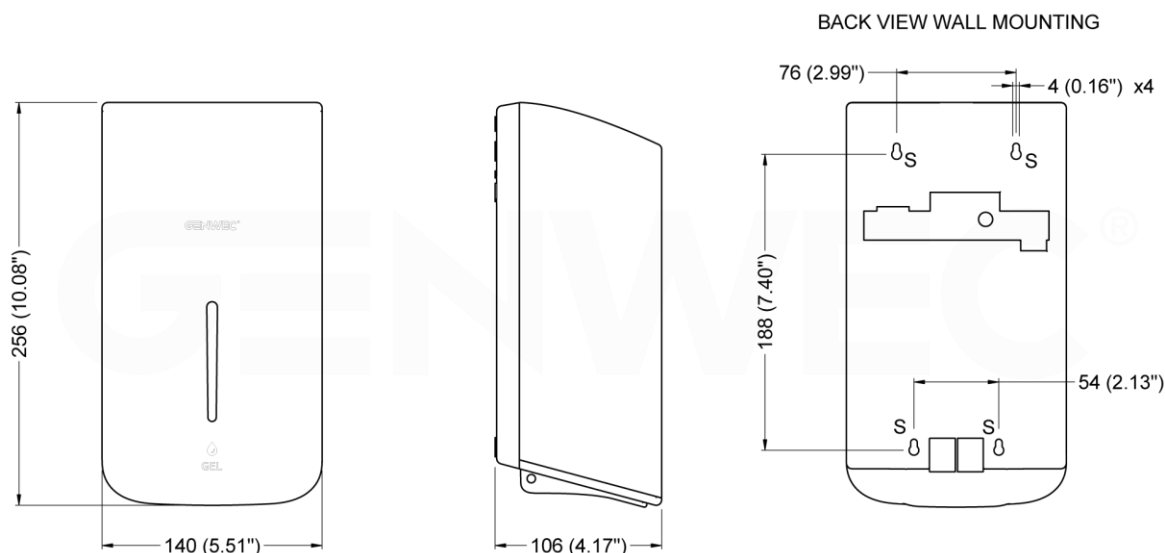




GW04-15

Automatic hand sanitizer spray dispenser



Dimensions: ±3%

TECHNICAL DATASHEET

COMPONENTS AND MATERIALS

- Main body - Made of high strength ABS plastic. The unit is equipped with a central acrylic level sight glass. The capacity of the unit is 1,100ml.
- Equipped with automatic sensor, "touchless" system. Designed and tested to prevent soap dripping. Corrosion resistant ABS internal valve.
- Fixing kit: A key to open the cover, four 6mm wall plugs, four 4mm screws.

OPERATION

To fill the dispenser, open the lid and introduce hand sanitizer directly. The display indicates when it is necessary to refill the dispenser. The dispenser works with 4 AA -LR4 1.5 batteries with a lifetime of approx. 60,000 cycles.

MOUNTING

Fix the dispenser to the wall using the supplied screws, through the holes on the back, always follow step by step the assembly instructions that you will find in the "Installation and assembly manual" provided with the unit.

ARCHITECTURAL SPECIFICATION

Genwec Automatic hand sanitizer spray dispenser GW04-15 for wall mounting made of high resistance ABS. 1,100ml capacity. Vandal-proof, requiring a key to open the cover. Equipped with an automatic sensor to avoid physical contact, "touchless" system. The dispenser has a 2-year limited manufacturer's warranty on materials.