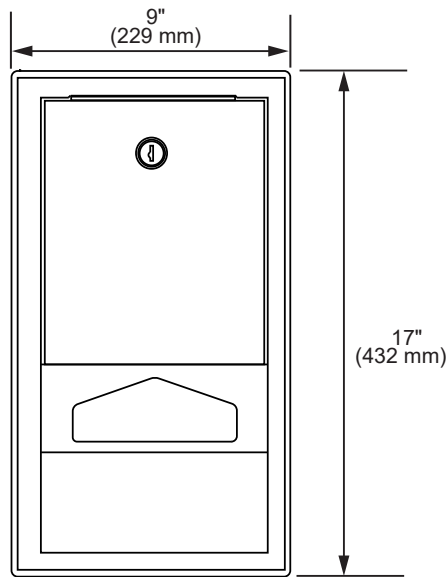




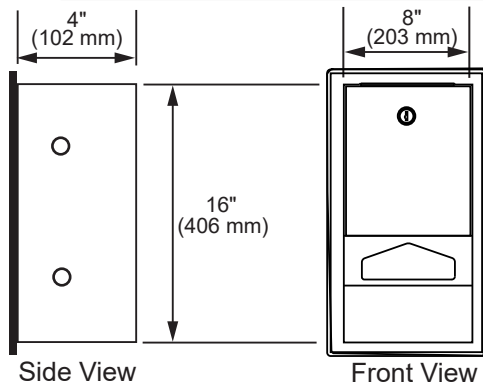
BABY CHANGERS MADE BY BABY EXPERTS.™

Submittal Sheet

Model 200-SSLD Stainless Steel Liner Dispenser



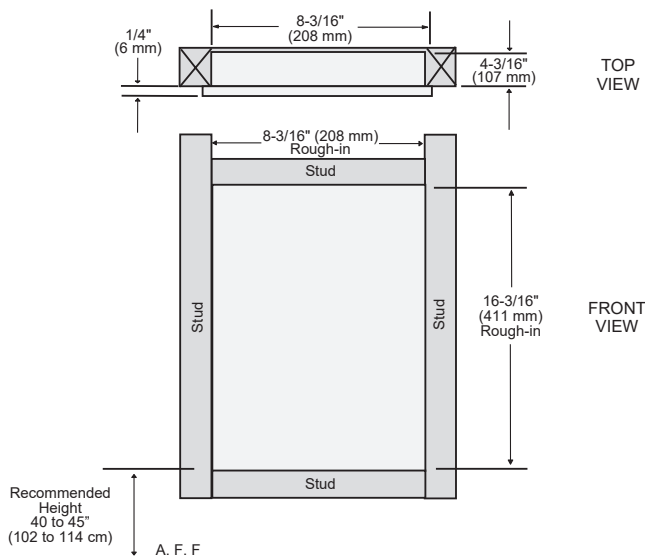
Product Dimensions



Installation Information

- 16 gauge, 304 brushed stainless steel liner dispenser.
- Mounts separately from changing station.
- Recessed mounting complies with A.D.A. 307.2, Maximum Protruding Objects when properly installed.
- Keyed lock prevents tampering or theft.
- Holds 100 liners.
- Holds item 036-LCR or 036-NWL.
- Standard pack: 1 unit.
- Limited Warranty: This product is warranted against manufacturing defects for a period of 5 years.

Recommended Blocking



Short Specifications

Stainless Steel Diaper Vendor:

1. Acceptable product: Foundations Worldwide, Inc.; Model 200-SSLD.
2. Characteristics:
 - a. 16 gauge, 304 brushed stainless steel.
 - b. Provide liners 036-LCR or 036-NWL .
3. **A.D.A. Compliance:**



- 307.2 Maximum Protruding Objects
 - 308.2 Forward Reach
 - 308.3 Side Reach
- Compliant when properly installed.