

# Auto Multi-Function Dispenser (500ml)



An automatic multi-function soap dispensers with our patented and alcohol resistant pumps: liquid, foam and spray.

A simple change of the soap pump can convert the unit into a different type of automatic soap dispenser. Moreover, it will play music with every dispense (optional)

We design this auto multi-function soap dispenser to be ADA, its thin profile only protrudes 4 inches (10 cm) from the wall. Its compact size and clean look makes it a good fit for toilet seat sanitizer dispenser.



MULTI FUNCTION RANGE

## Why HK-SSD?

### Specs



hands- free



AC adapter available



500 ml soap bottle



battery life up to 25k uses



foam: one drop 0.7-1.0 ml



liquid: one drop 0.8-1.1 ml



disinfectant spray: one drop 0.8-1.1 ml

### Design



interchangeable pump



no leakage problem



security lock and key



refillable soap bottle



auto-detecting sensor



LED indicator



audio available (optional)

### Suitable for...



operating room



hospital



restaurant



shopping mall



postnatal care center



playground



kindergarten

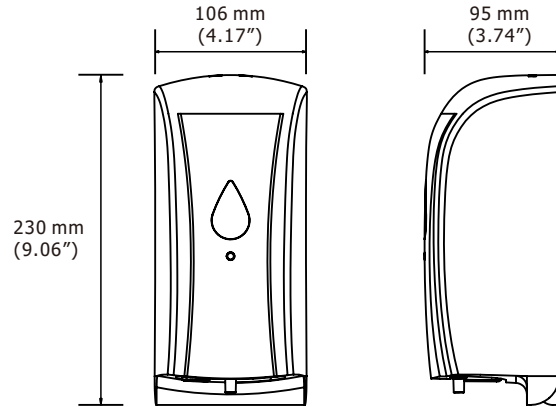


public toilet

# Specification



Interchangeable soap pump system



Liquid Soap: HK-SSD11

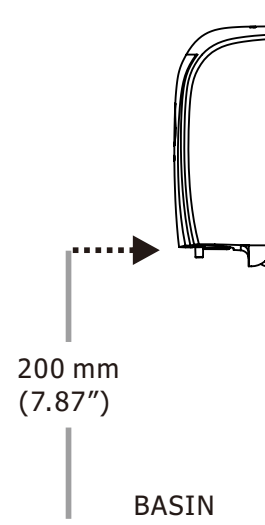


Foam Soap: HK-SSD21



Disinfectant Spray: HK-SSD31

Packaging (carton)	HK-SSD11: 10 dispensers/carton. G.W. 7.8kg. Meas. 1.32' HK-SSD21: 10 dispensers/carton. G.W. 7.8kg. Meas. 1.32' HK-SSD31: 10 dispensers/carton. G.W. 7.8kg. Meas. 1.32'
Battery Type	AA type x 4
Battery Life	Liquid type: 25k drops/cycles Foam type: 25k drops/cycles Disinfectant spray: 16k drops/cycles
Soap Pump Life	100k cycles
Light Indication	Blue LED light flash four times for sensing range detection. Flashing blue light: low batteries
Safe Operation	Power off automatically once casing opened
Smart Design	All key parts are independent for easy maintenance. Container assembly and mechanism of dispenser are 100% separation; mechanism is free from damage by soap.
Patented Soap Pump	Prevent leakage problem Prevent leftover soap mess
Capacity	500ml
Cover Material	ABS
Safety Approvals	CE



Recommended Installation Height: 200 mm