

Repair parts list

Reference Number	Description	Part #	Qty.
1	Motor mounting bracket	C01-005	1
2	Motor	E01-001	1
3	Fan enclosure	N/A	1
4	Air outlet guard	N/A	1
5	Timer assembly	TIA01-1	1
6	Plate	N/A	1
7	Enclosure	B01-001	1
	----	B01-002	1
	----	B01-003	1
	----	B01-004	1
	----	B01-005	1
	----	B01-006	1
	----	B01-007	1
8	Push-button	PB03	1
9	Motor capacitor 2µf 450Vac	F01-001	1
10	Dowel assembly	D03-003	4
11	Fan blower	C01-001	1
12	Heater assembly	HE01	1
13	Thermal cut-off	E01-016	1
14	L key	N/A	1
15	Fix screw	N/A	2

Push-button

Hand dryer

HK-2200 Series

User Manual

**Automatic &
Push-button Operation**

ver 1.0

Hand Dryer Operating Instructions and Parts Manual

Description

Automatic & Push-button operation hand dryer.

Casing: Chrome plated aluminum.

Painted cast aluminum.

Satin Chrome plated aluminum.

Steel cover - Porcelain enameled coating (t:2.0mm).

Stainless Steel - Satin finished (#304 t:1.2mm)

Brushless motor : 1/8 HP, 100W, 2850 R.P.M. (50Hz), 3250 R.P.M (60Hz)

Designed with 221°F (105°C) thermostat.

Heater assembly : Designed with 189°F (87°C) thermostat.

Designed with 286°F (141°C) thermal cut off.

Air speed : 14.5 m/s. – 50Hz

16.5 m/s. – 60Hz

Air delivery : 150 CFM (255 m³/h). – 50Hz

171 CFM (291 m³/h). – 60Hz

Sound level : 63±3 db.

Approximately 30-35 seconds drying time.

Adjustable sensitive distance of sensor from 10 to 30 cm. – **automatic**

Adjustable timer control range from 20 to 55 seconds. – **push-button**

Power cut off automatically in case of irregular use over 60 seconds.

2 vandal-proof lock screws and key wrench.

Drip proof : IPX1

Weight: 13.4 lbs (6.1 kgs) unpacked ; 14.1 lbs (6.4 kgs) packed.

Please note that 2200SRA has a brush type motor.

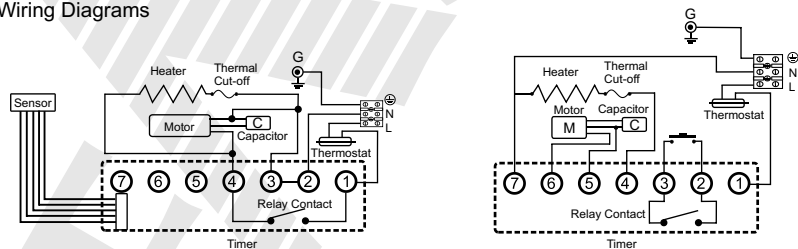
Certification:



Specifications and Dimensions

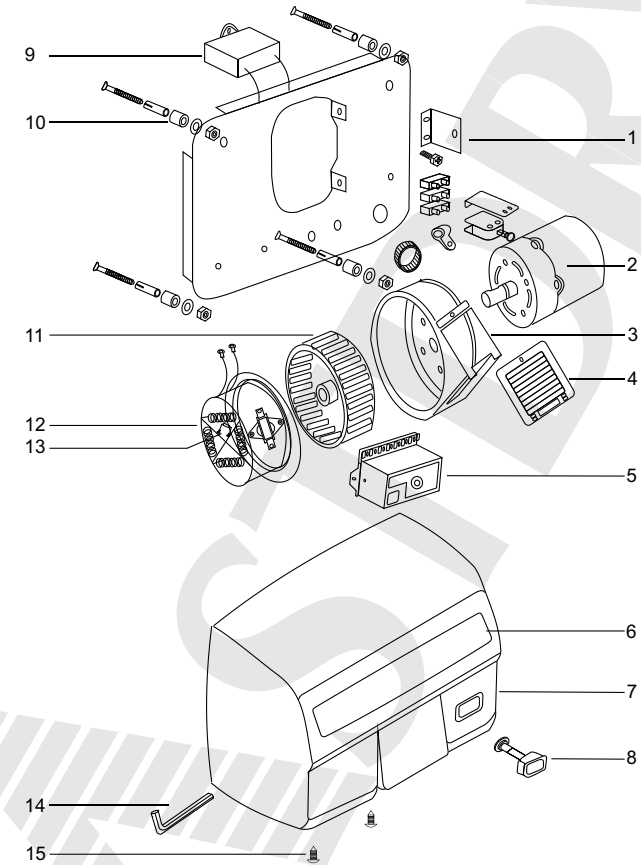
Model	Volts	Watts	Amps
HK-2200 Series	110-120Vac	2020-2200W	18.4A
	220Vac	2020-2200W	9.2-10A
	230-240Vac	2020-2200W	8.8-9.2A

Wiring Diagrams



AUTOMATIC

PUSH-BUTTON



Push-button

Repair parts list

Reference Number	Description	Part #	Qty.
1	Motor mounting bracket	C01-005	1
2	Motor	E01-001	1
3	Fan enclosure	N/A	1
4	Air outlet guard	N/A	1
5	Sensor assembly	F02-003-1	1
6	Timer assembly	TIA01-1	1
7	Plate	N/A	1
8	Enclosure	B02-001	1
	----	B02-002	1
	----	B02-003	4
	----	B02-004	1
	----	B02-005	1
	----	B02-006	1
	----	B02-007	1
9	Motor capacitor 2µf 450Vac	F01-001	1
10	Dowel assembly	D03-003	1
11	Fan blower	C01-001	1
12	Heater assembly	HE01	1
13	Thermal cut-off	E01-016	1
14	L key	N/A	1
15	Fix screw	N/A	2

Automatic

General safety information

▲ WARNING Disconnect power before installation or servicing.

▲ WARNING This product intended for installation by a qualified service person. Use 1.2 mm² solid conductor for wiring.

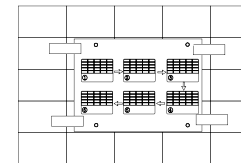
▲ WARNING All units must be supplied with a 3-wire service. The ground wire must be connected to the dryer's backplate.

▲ DANGER Failure to properly ground unit could result in severe electrical shock and/or death.

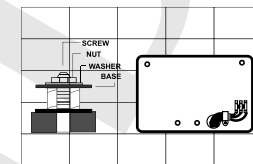
NOTE: Do not install dryer over washbasin.

Installation

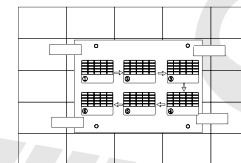
- Fix the mounting instruction sheet on the wall. Suitable height for hole "C" is 50" from ground.



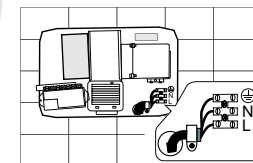
- Remove the housing from the base plate; put the power cord at least 2 1/4" through the hole of the base plate then secure the base plate onto the wall.



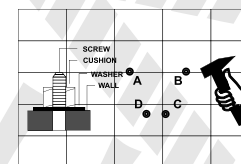
- Drill 4 holes (A. B. C. D. .3" diameter; 1.4" depth.)



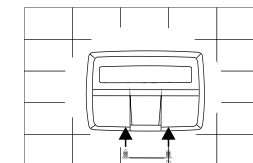
- Connections:
 - Connect the live wire (colored red or brown) to the terminal block marked "L".
 - Connect the neutral wire (colored black or blue) to the terminal block marked "N".
 - Connect the ground wire (colored green and yellow) to the terminal block marked "G".



- Take off the mounting instruction sheet. Hammer dowels into 4 holes.



- Attach housing back to base plate at an angle of 10 degrees then secure properly.



Operation

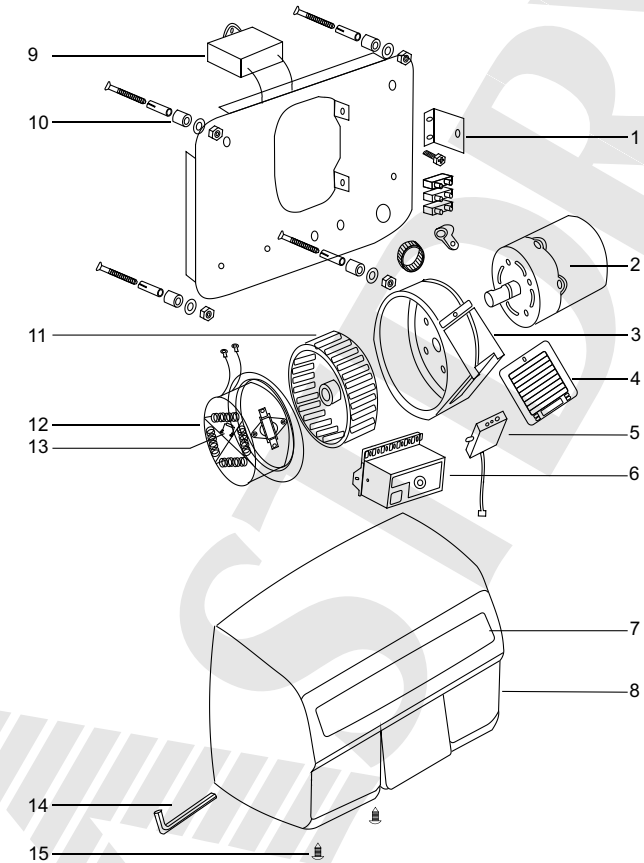
Shake excess water from hands.
Place hands under the outlet to start operation.
Rub hands lightly and rapidly.
Stops automatically when hands are removed.

Maintenance

Easy to maintain. If the surface is dirty or dusty just wipe to clean.

Troubleshooting Chart

Symptom	Corrective Action
Blower motor stops running	Turn off power to the dryer at electrical panel. Remove cover. Check all wiring connections from terminal board to the motor. Check blower wheel and spin to make sure it rotates freely: Look for objects blocking the free movement. Replace cover and turn on power to the hand dryer. If motor fails to start, have a qualified electrician check the Push-On-Switch, thermostat, motor and capacitor for proper operation. Replace if necessary.
Dryer blows cold air	Turn off power to the dryer at the electrical panel. Remove cover. Check all wiring connections to make sure all terminals are firmly mounted in place and the wire insulation is in good condition. Have a qualified electrician check the thermal cut off and heating element. Replace cover, turn on power to the hand dryer. If dryer continues to blow cold air, replace defective thermal cut off and/or heating element.
Dryer does not respond to hand movement	Make sure power is on and available to the unit. Place hands under sensor. A clicking sound indicates sensor is functioning properly. No clicking sound would indicate a bad sensor and/or contactor. Replace if necessary.
Dryer will not shut off or will not run for a complete cycle	Replace timer assembly



Automatic