

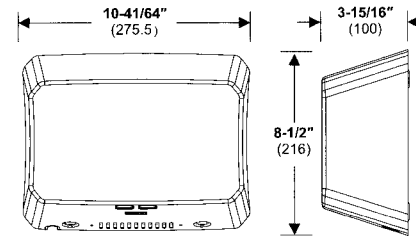
Hand Dryer Operating Instructions and Parts Manual

Surface-mounted ADA-compliant hand dryer

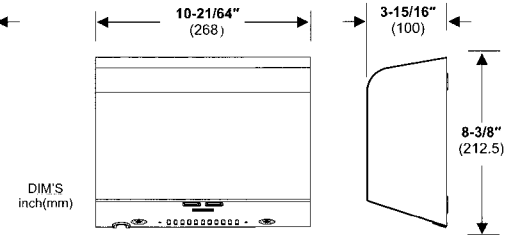


PLEASE CAREFULLY READ THROUGH THIS MANUAL BEFORE USING THE PRODUCT. OBSERVING ALL SAFETY INFORMATION, WARNINGS AND CAUTIONS WILL PROTECT YOURSELF AND OTHERS. PLEASE KEEP INSTRUCTIONS FOR FUTURE REFERENCE.

MODEL # EcoSlender 1



MODEL # EcoSlender SA



TECHNICAL SPECIFICATIONS

Patent Pending

ITEM CATEGORY	PERFORMANCE DATA
Operating Voltage, EcoSlender 1	120 VAC, 50/60 Hz, 1.0kW
Operating Voltage, EcoSlender(H)1	240 VAC, 50/60 Hz, 1.0kW
Operating Voltage, EcoSlender(S)1	277 VAC, 60 Hz, 1.0kW
Output Warm Air Volume	42 - 60 CFM {71 - 102 m ³ /h}, Adjustable by Owner
Output Warm Air Temp	131°F {55°C} at ambient T = 77°F {25°C}, MAX, Adjustable by Owner
Output Air Speed	102 mph (150 ft/s) [45.5 m/s {164 km/h}] - 157 mph (230 ft/s) [70 m/s {252 km/h}], Adjustable by Owner
Sound Pressure	68.9 dB-A Min @ 2m , 74.3 dB-A Max @ 2M, Adjustable by Owner
Motor Type	0.67 HP, 16 - 29 krpm, Adjustable, Brush Type, Dual Ball Bearings
Motor Thermal Protection	120 VAC, Auto Resetting Thermostat turns unit off at 275°F {135°C}
Heater Element	240 VAC, Auto Resetting Thermostat turns unit off at 203°F {95°C}
Heater Thermal Protection	ONV OFF Heating options; Range Adjustable by Owner, 325 - 450 W Auto Resetting Thermostat turns heater element off at 185°F {85°C}, Resets at 167°F {75°C}, Thermal cut-off at 288°F {142°C}
Drying Time	Less than 15 seconds
Standby Power	Less than 0.5W
Circuit Operation	Infrared Automatic, self adjusting
Sensor Range	Standard 6" {152mm ± 20mm}
Timing Protection	60 seconds auto shut off
Timing Duration	1 seconds delayed turn off after last sensor read
Cover Type	18 gauge {0.47", 1.2 mm} thick drawn steel or 304 series stainless steel
Cover Finish	White epoxy on steel or Bright or Satin on stainless steel
Net Weight	8.4 lbs {3.8 kg}
Shipping Weight	9.2 lbs {4.2 kg}
Unit Size	EcoSlender 1 (275.5 x 216 x 100) mm EcoSlender SA (268 x 212.5 x 100) mm

COVER TYPE/ COVER FINISH

EcoSlender 1-01,EcoSlender(H) 1-01,EcoSlender(S) 1-01 -Steel, white epoxy finish (t:1.2 mm)
EcoSlender 1-04,EcoSlender(H) 1-04,EcoSlender(S) 1-04 -Stainless steel (#304),Bright finished (t:1.2 mm)
EcoSlender 1-05,EcoSlender(H) 1-05,EcoSlender(S) 1-05 -Stainless steel (#304),Satin finished (t:1.2 mm)

EcoSlender 1,(H),(S) SA-04 -Stainless steel (#304),Bright finished (t:1.2 mm)
EcoSlender 1,(H),(S) SA-05 -Stainless steel (#304),Satin finished (t:1.2 mm)

Input	Model	Motor		Heater		Total	
		Vac	Inrush A(W)	Operating A (W)	Vac	Inrush / Operating A(W)	Inrush A(W)
VAC	No						
110	EcoSlender	110	5.73 (630)	3.82 (420)	110	3.82 (420)	9.55 (1050) 7.64 (840)
115	EcoSlender	115	5.99 (689)	3.99 (459)	115	3.99 (459)	9.98 (1148) 7.99 (918)
120	EcoSlender	120	6.25 (750)	4.17 (500)	120	4.17 (500)	10.42 (1250) 8.33 (1000)
208	EcoSlender(H)	208	2.71 (563)	1.81 (376)	208	1.81 (376)	4.51 (939) 3.61 (751)
220	EcoSlender(H)	220	2.86 (630)	1.91 (420)	220	1.91 (420)	4.77 (1050) 3.82 (840)
230	EcoSlender(H)	230	2.99 (689)	2.00 (459)	230	2.00 (459)	4.99 (1148) 3.99 (918)
240	EcoSlender(H)	240	3.13 (750)	2.08 (500)	240	2.08 (500)	5.21 (1250) 4.17 (1000)
277	EcoSlender(S)	240	3.13 (750)	2.08 (500)	240	2.08 (500)	5.21 (1250) 4.17 (1000)

Installation

1. Make sure power supply breaker is switched off. Installation must be carried out in accordance with the current edition of the local wiring regulations code having jurisdiction. Installation should be performed only by a qualified electrician.
2. Place template against wall at desired height (see mounting height recommendations) and mark locations of 4 mounting holes and wire service entry at knockout (KO) location.
Note: For two or more dryers, dryers should be no closer than 24 inches (610 mm) on center.
3. Remove and retain 2 cover screws and cover.
4. a. **For in-wall (concealed) power supply - (See MT & IG 1207101509)**
Provide supply wire to KO location according to local code and attach securely to chassis at KO with appropriate strain relief connector (not supplied).
b. **For Surface Mounted Conduit (exposed) power supply -**
Provide appropriate conduit to entry location according to local code and attach securely to chassis with correct strain relief connector (not supplied).
5. Drill four (4) holes at locations A, B, C and D of Ø5/16" (Ø8) Diameter x 1-3/8" (35mm) deep if using wall anchors supplied with unit. Install supplied anchors flush with wall face, or install other fastening system suitable for wall conditions (not supplied). Attach dryer to wall. For wood wall/studs use Ø1/4 inch (M6) screws at length that will ensure 1 inch (25 mm) min. stud penetration. For masonry walls use expansion bolts or anchors for Ø1/4 inch (M6) screws to ensure penetration 1/4 inch (6 mm) deeper than anchor. Shim if necessary to ensure base plate is flat against wall.
6. Connect supply and ground wires to terminal block where indicated or connect supply wires to terminal block where indicated and connect ground wire to base plate with ground screw.

Connections:

- A. Connect the live wire (colored Brown, Red or Black) to the terminal block marked "L".
 - B. Connect the neutral wire (colored Black, Blue, White or Grey) or connect the second live wire (colored Red or Orange) to the terminal block marked "N".
 - C. Connect the ground wire to the terminal block marked "⊕" or to the green screw marked "⊕".
- Bare grounding (earth) wires should be sleeved with green and yellow or green tubing.

Colors of live and neutral wires depend on voltage of supply service and requirements of Building and Electrical Code having jurisdiction.

7. Replace cover. Do not over-tighten screws.

Installation Kit Included (find in carton)

1. Self-Threading screws 1/4" x 1-1/2" (M6 x 38) x 4 pcs
2. Metal Washer 3/8" x 7/8"x 1/16" (Ø10 x Ø22 x 1.6 thk) x 4 pcs
3. Nylon bushing x 4 pcs
4. Crimp-on terminal wire tip x 3 pcs
5. Plastic anchor Ø5/16" x 1-3/8" (Ø8 x 35) x 4 pcs

Service Tool Included (with installation kit)

- Security hex driver 4 mm x 1 pcs (5/32" pin-hex will work if tool is lost)
- Please unpack the unit and check the quantity of the above tool and kit.

Recommended mounting heights

- Men 50" (1270 mm)
- Women 47" (1194 mm)
- Children 4-7 years 35" (889 mm)
- Children 8-10 years 39" (991 mm)
- Children 11-13 years 43" (1092 mm)
- Children 14-16 years 47" (1194 mm)
- Handicaped 40" (1016 mm)

- from bottom edge of dryer above finished floor (AFF)

See Mounting Template & Installation Guide (MT & IG) 1207101509 (Supplied with unit)

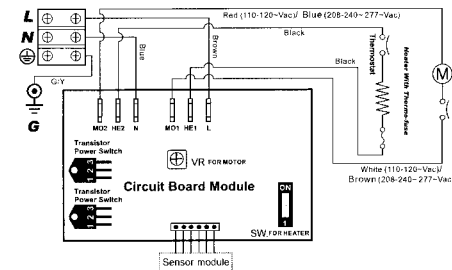
Reference ADAAG AFF (maximum)
Reach LIMIT (unrestricted)

All Approaches 48" (1219 mm)

Operation

- Shake excess water from hands.
- Place hands under the nozzle and dryer automatically starts operation.
- Rub hands lightly and rapidly under the nozzle.
- Dryer stops when hands are removed from sensor zone or if maximum time is reached.

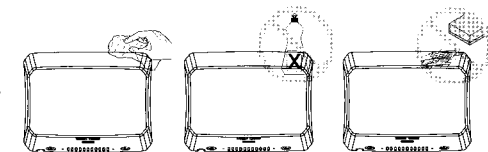
Circuit Diagram



Cleaning and Maintenance

Periodic cleaning of the unit is recommended to ensure optimum performance.

- Disconnect the electrical supply.
- Remove the two cover-mounting screws.
- Remove the cover.
- Clean all dust lint from the interior of the dryer.
- Wipe the cover with a damp cloth and mild cleaning solution. Do not Soak. Never use abrasives to clean the cover.
- Replace the cover. Do not over tighten the screws.



Patent Pending

General safety information:

⚠ WARNING This product is intended for installation by a qualified service person. Use AWG NO. 12 solid conductor for wiring.

⚠ DANGER Failure to properly ground unit could result in severe electrical shock and/or death.

⚠ WARNING Disconnect power at the service breaker before installing or servicing.

⚠ WARNING All units must be supplied with a 3-wire service. The ground wire must be connected to the dryer's backplate.

Diagnostics and Remedies

Symptom	Corrective Actions for Initial Installation Failures
If the dryer will not run	First ensure that the breaker supplying the dryer is operational. If it is, disconnect the power and remove the dryer cover. Taking suitable precautions to avoid shock hazard, reconnect the power and check for Voltage at the terminal block. Verify that connections are made correctly.
The dryer cycles by itself or runs constantly	Ensure that there is no obstruction on or in front of the IR sensor. Clean any dirt or debris off the sensor lens. If problem persists, replace sensor.
The dryer makes a loud noise and does not run for a complete cycle	Ensure that the supply Voltage is correct. Dryer will make a loud humming noise if the input Voltage is too high. Verify Voltage requirement on unit rating label and correct supply as required. If CBM has been damaged, replace CBM, IR sensor module.
The dryer runs but air stream is low pressure and/or low velocity	Ensure that the supply Voltage is correct. Dryer will run weakly if the input Voltage is too low. Verify Voltage requirement on unit rating label and correct supply as required.
Symptom	Corrective Actions for In-Service Failures
If the dryer will not run	First ensure that the breaker supplying the dryer is operational. If it is, disconnect the power and remove the dryer cover. Replace the CBM and IR sensor module. Taking suitable precautions to avoid shock hazard, reconnect the power and check for Voltage at the terminal block.
The IR sensor only "sees" close range objects	Ensure that there is no obstruction on or in front of the IR sensor. Clean any dirt or debris off the sensor lens. If problem persists, disconnect the power and remove the dryer cover and replace CBM, IR sensor module.
The heater gets hot but no air stream is produced	Disconnect the power. Remove the dryer cover. Check VR for speed setting. Disassemble the blower- motor/ fan housing. Replace the fan motor. Reassemble.
The dryer only blows cold air during a full cycle	Disconnect the power. Remove the dryer cover and check/ ensure heater SW is ON. Disassemble the blower-motor/fan housing. Test the thermostat for open circuit. Check the heater element for signs of burning or breakage. Damaged element must be replaced.
The air stream is low pressure and velocity	Check the output nozzle for obstructions. If none are present, disconnect the power. Remove the dryer cover. Remove any dust/lint buildup from intake vent slots. Check VR for speed setting. Disassemble the blower-motor/fan housing. Check the motor brushes for worn condition ($\leq 1-3/16"$ [30 mm] graphite remains) and replace them, if necessary.

Important Information

This Product falls within the scope of the Waste Electrical & Electronic Equipment Directive 2002/96 EC. (WEEE)



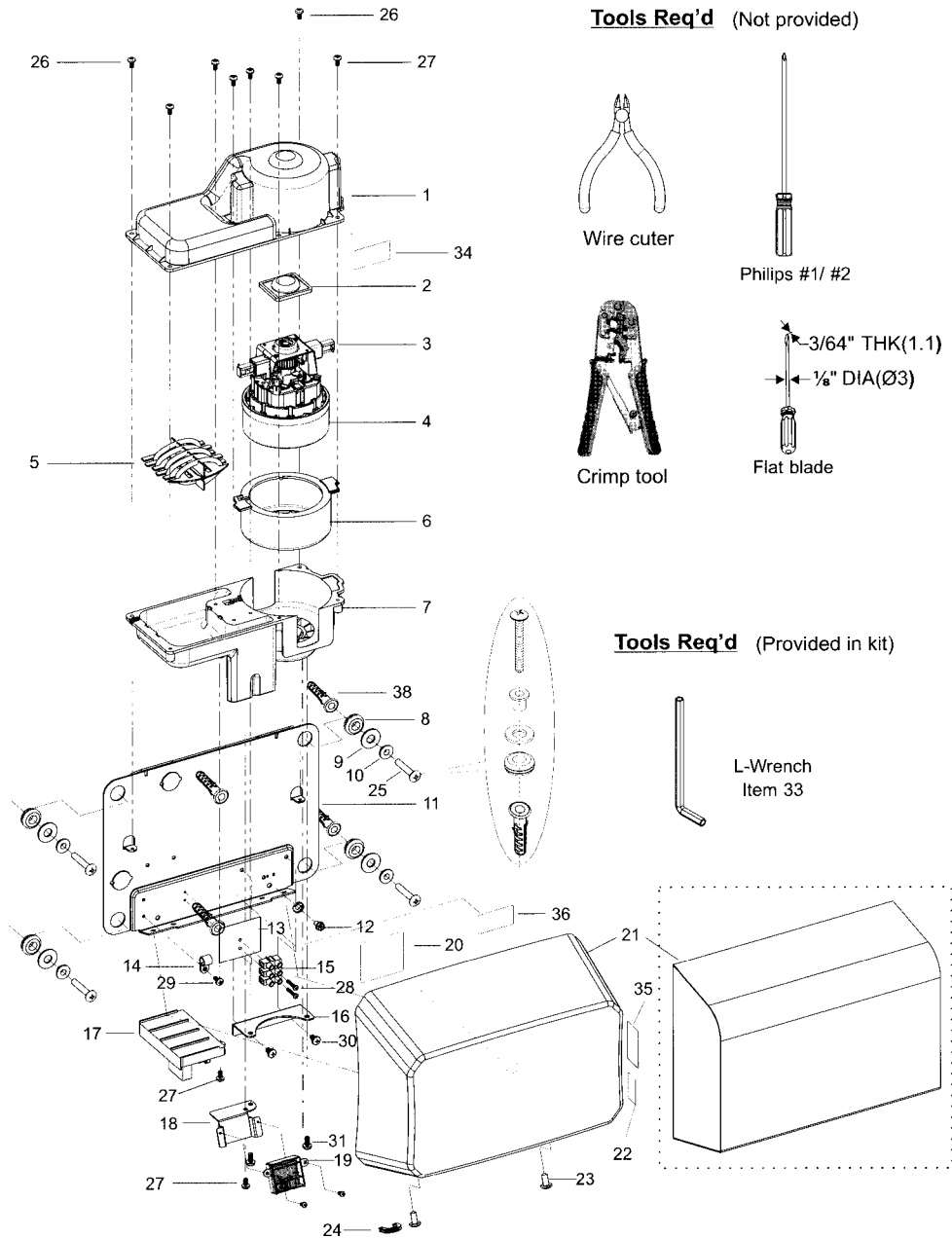
NOTE:

This Product should not be disposed of with household waste. Please recycle where facilities exist. Check with your local authority for recycling advice.

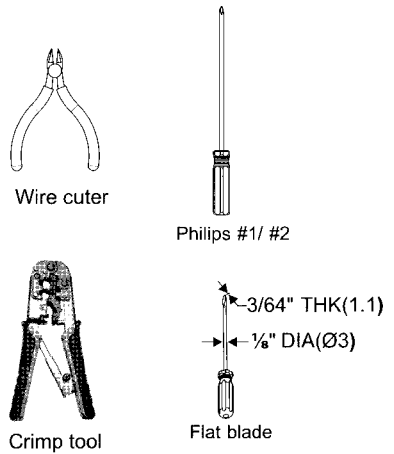
Repair parts list

Key	Description	Qty	Key	Description	Qty
1	Blower housing - Upper	1	25	Self threading screw 1/4"x1-1/2", philips pan head	4
2	Motor rubber - Upper	1	26	Screw M4x10, philips pan head	2
3	Motor brushes	2	27	Self threading screw M4x10, philips pan head	8
4	Motor 0.67HP@120Vac 0.67HP@240Vac	1	28	Screw M3x16, philips pan head	2
5	Heater assembly 500W@120Vac,28.8Ω 500W@240Vac,115.2Ω	1	29	Screw M4x10, philips pan head with external tooth lock washer	1
6	Motor rubber - Lower	1	30	Screw M5x8, philips pan head with external tooth lock washer	2
7	Blower housing - Lower	1	31	Screw M5x10, philips pan head	2
8	Rubber grommet -Base	4	32	Wires Harness (Not Shown)	1
9	Metal washer	4	33	L-Wrench	1
10	Nylon bushing	4	34	CBM terminal legend label	1
11	Base plate	1	35	Rating label	1
12	Grounding screw with cup washer	1		Ecoslender 1	
13	Mylar shield with LNG marked	1		Ecoslender(H) 1	
14	Nylon cable clamp	1		Ecoslender(S) 1	
15	Terminal block	1	36	Caution Branch Circuit label	1
16	Blower mounting bracket	1		15A- 120Vac	
17	Circuit Board Module (CBM) 110-120Vac 208-240Vac 277Vac	1	37	7.5A- 240Vac/ 277Vac Crimp-on wire tips for terminal block	3
			38	Plastic wall anchor 5/16" DIA x 1-3/8" long (Ø8 x 35)	4
18	Sensor bracket	1			
19	Sensor module	1			
20	Label, Circuit Diagram	1			
21	Cover EcoSlender 1 Cover EcoSlender SA Steel - Epoxy enamel Stainless steel - Bright Stainless steel - Satin	1			
22	CAUTION label	2			
23	Security hex cap head 1/4"-20 x 5/8" screw with lock washer	1			
24	Cable protector				

Assembly Diagram



Tools Req'd (Not provided)



Tools Req'd (Provided in kit)

