

PRODUCT SPECIFICATIONS

Elkay Stainless Steel 14" x 16-1/2" x 47" 18 Gauge Hand Sink with Pedestal Base Foot Valve and Faucet. Sink is manufactured from 18 gauge Stainless Steel with a #4 Finish, Center drain placement.

Material:	Stainless Steel
Finish:	#4 Finish
Gauge:	18
Weight Without Packaging:	62
Number of Bowls:	1
Sink Dimensions:	14" x 16-1/2" x 47"
Bowl 1 Dimensions:	10" x 12" x 5"
Backsplash Height:	6
Drain Size:	1-1/2" (38mm)
Drain Location:	Center
Mounting Hardware:	Included

Special Note: Splash Mount, Goose Neck Faucet Included

Custom Options	
Alternate Punching	
<input type="checkbox"/> Faucet Model:	<input type="checkbox"/> Punch Required:

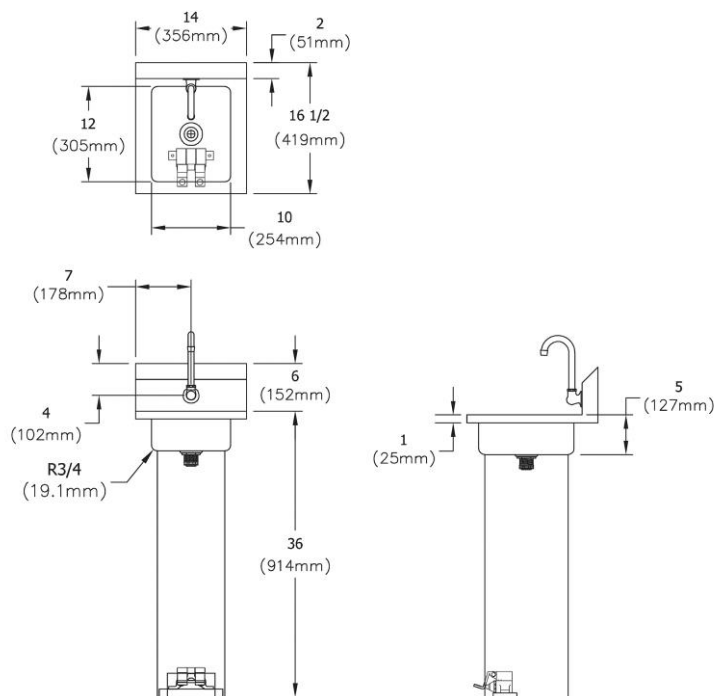
*Options available if applicable



Included with Product: Pedestal base, foot valve, faucet, and strainer.

AMERICAN PRIDE. A LIFETIME TRADITION.
Like your family, the Elkay family has values and traditions that endure. For almost a century, Elkay has been a family-owned and operated company, providing thousands of jobs that support our families and communities.

Faucet: NSF 372 (lead free)



PART: _____ QTY: _____

PROJECT: _____

CONTACT: _____

DATE: _____

NOTES: _____

APPROVAL: _____

In keeping with our policy of continuing product improvement, Elkay reserves the right to change product specifications without notice. Please visit elkay.com for the most current version of Elkay product specification sheets. This specification describes an Elkay product with design, quality, and functional benefits to the user. When making a comparison of other producers' offerings, be certain these features are not overlooked.