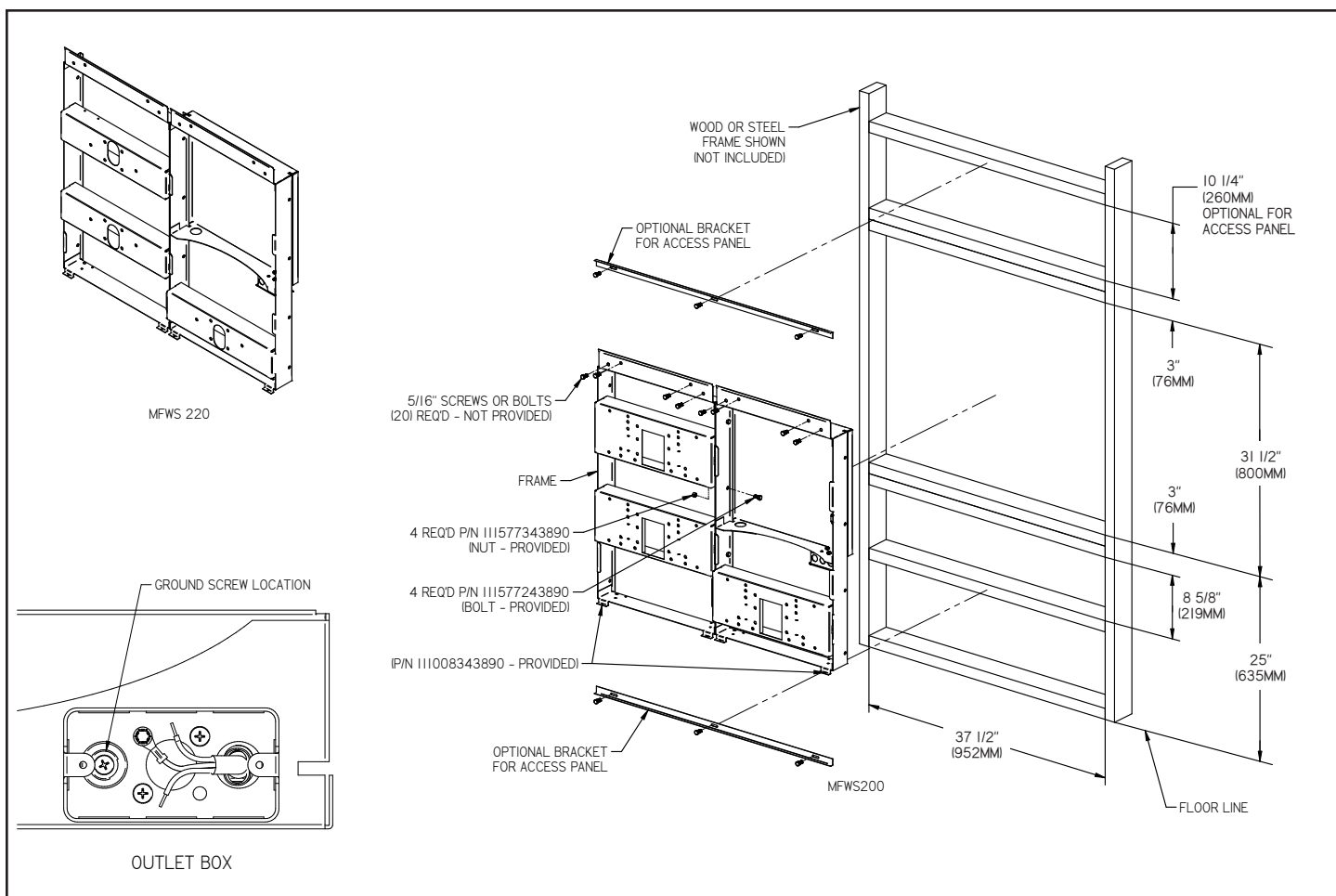


MFWS200 / MFWS220 MOUNTING FRAME INSTRUCTIONS



- 1. Cut a square rectangular wall opening 37 1/2" (953mm) W x 31 1/2" (800mm) H and 25" (635mm) above the floor line.** These dimensions are required to obtain proper rim and bubbler heights for compliance with ANSI standard A117.1.
 - 2. Reinforce the wall opening** on all sides so that it will adequately support the water fountain. This reinforcement must support up to 150 lbs static load and provide a means for securing the frame assembly in place.
 - 3. Install plumbing rough-ins.**
 - 4. Remove frame assembly and related hardware** from packaging. Attach the two frames together through the upright supports with (4) 5/16" x 3/4" (19mm) long bolts and nuts (provided). Tighten securely.
 - 5. Install the frame assembly** squarely in wall opening with frame upright support edges flush with the finished wall face. Secure the frame to the wall thru holes with (12) 5/16" bolts or screws (not provided). Tighten securely.
- NOTE:** Be sure that frame is squared in location. Do not use less than required screw quantity and size.
- 6. Mounting Frame Wiring Instructions:**
 - a. Turn off electrical supply to installation location circuit.
 - b. Remove Junction Box Cover to gain access to electrical box.
 - c. Connect electrical supply using conduit, wiring, and connectors per local and national codes.
 - d. Connect ground wire to ground screw (provided).
 - e. Connect black wire to "hot" power supply line 120V 60Hz, 1 phase.
 - f. Connect white wire to Neutral line.
 - g. Replace Junction Box Cover.
 - h. Connect electrical power to installation location circuit.

For Technical Service, please contact us at 1.800.476.4106