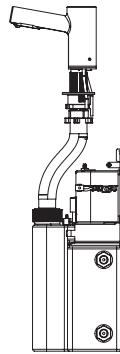
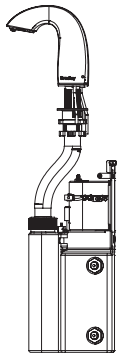


Installation and Maintenance Manual



Individual Automatic Liquid or Foam Top-Fill Soap Dispenser

Verge™ Soap Dispenser - Crestt Series (6-3100)

Verge™ Soap Dispenser - Metro Series (6-3300)

Verge™ Soap Dispenser - Linea Series (6-3500)

Verge™ Soap Dispenser - Zen Series (6-3700)

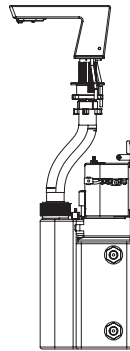
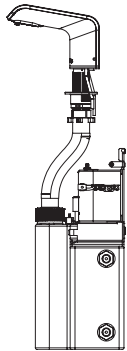


Table of Contents

Safety Information	2
Supplies Required	2
Components	3
Dimensions	4
Soap Spout Mounting	5
Control Box Mounting	6
Control Box Connections	7
Soap Fill Tube Connection	7
Soap Pump & Vent Tube Connection	8
Power Source Connection	8
Top Filling the Soap Dispenser	9
Operation Mode	10
Cleaning and Maintenance for Soap Dispenser	11
Liquid Soap Recommendations & Dispenser Maintenance	11



Read the instructions in this manual before beginning installation. Save these instructions and refer to them for inspection, maintenance, and troubleshooting information.



Scan code to view
Installation Guide for
Multi-Feed Units

For questions regarding the operation, installation or maintenance of this product, visit bradleycorp.com or call 800.BRADLEY (800.272.3539).

Product warranties and parts information may also be found under “Resources” on our website at bradleycorp.com.



Safety Information

Caution

A DC plug-in adapter (supplied by Bradley) should be used in conjunction with the Bradley soap dispenser products. The DC plug-in adapter supplied by Bradley is 6V DC regulated. Direct connection to 120V/220V 50/60Hz could result in personal injury and will damage the sensor.

Important

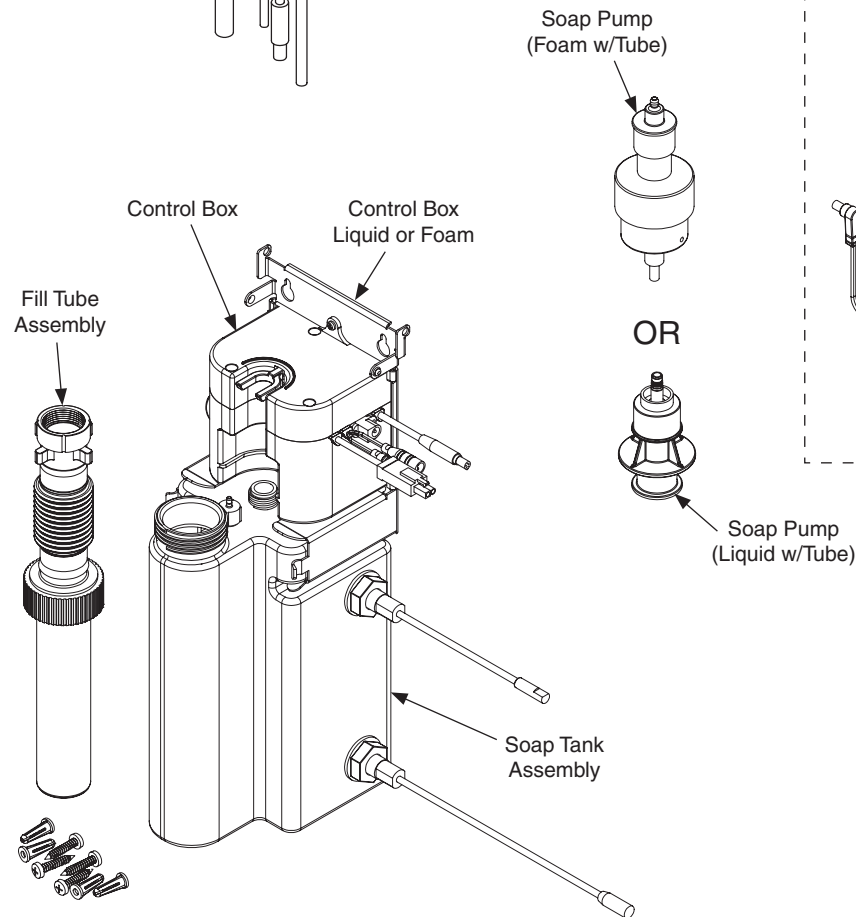
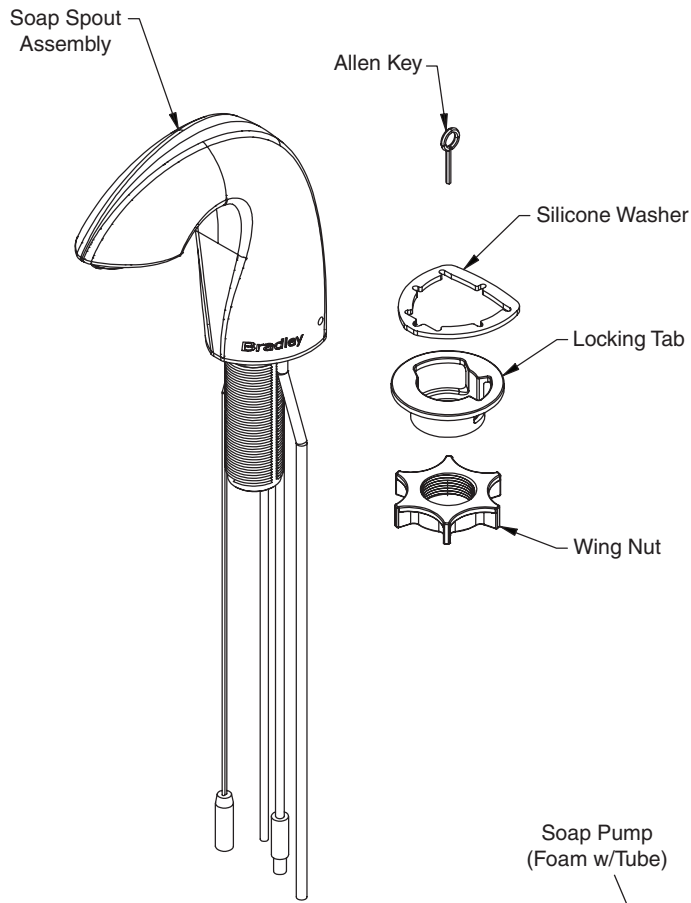
Separate parts from packaging and make sure all parts are accounted for before discarding packaging material. If any parts are missing, do not begin installation until you obtain the missing parts.

Troubleshooting and internal maintenance must be performed by qualified service personnel.

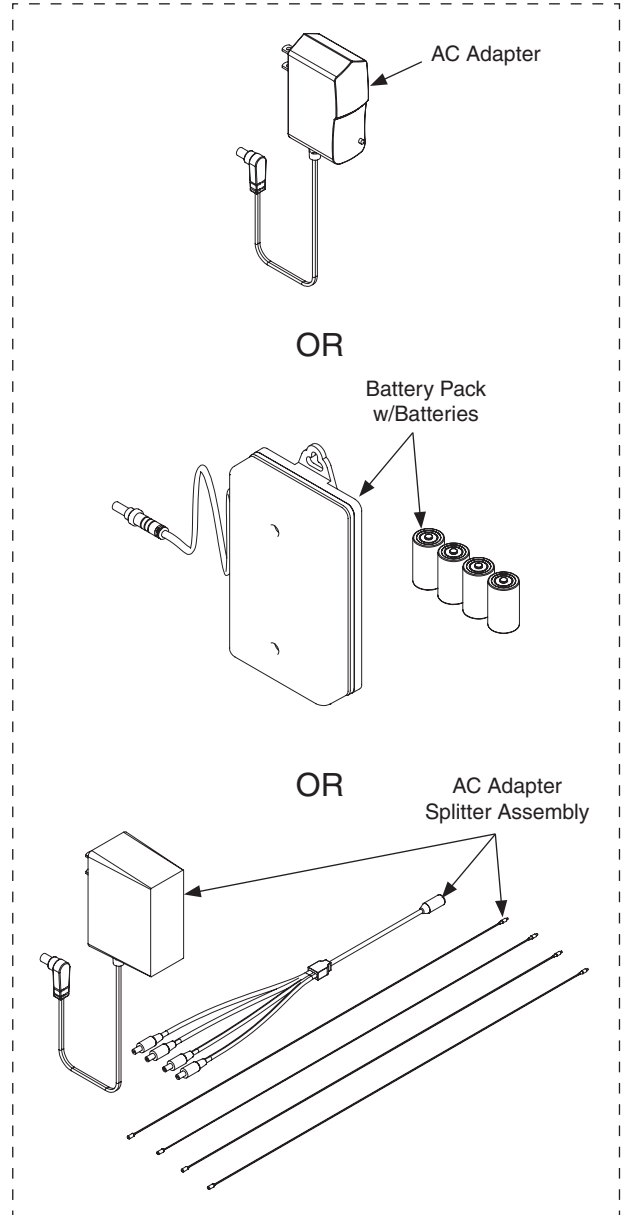
Supplies Required

- (1) dedicated 120VAC, 20A GFCI outlet(s), if an A14-029 or A14-031 AC adapter is selected
- Drill
- 1/4" drill bit
- Tape measure
- Phillips screw driver
- Level
- Pencil

Components



Power Supply Options



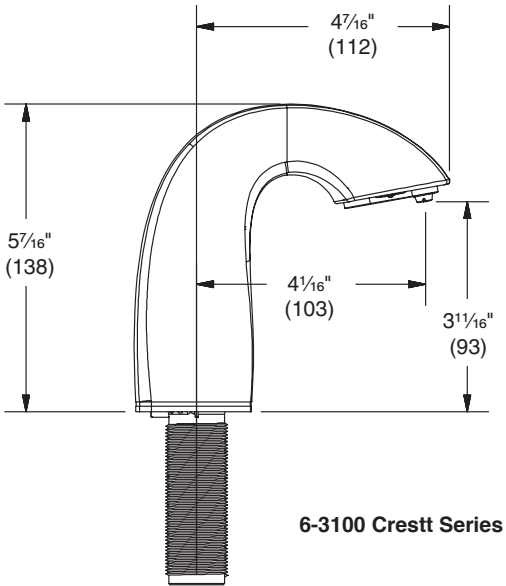
Dimensions

(mm)

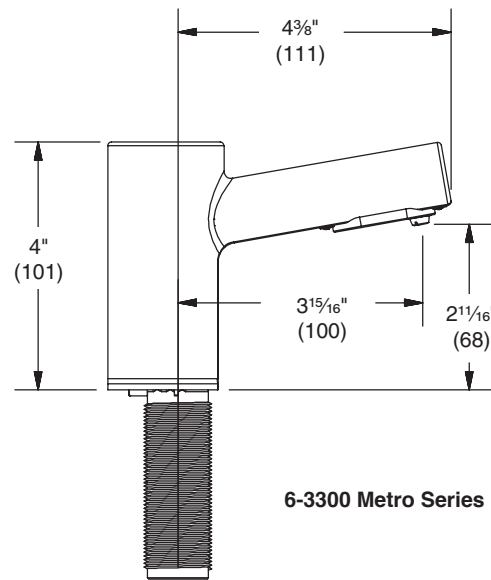
IMPORTANT: THE 6-3300, 6-3500 & 6-3700 SERIES SOAP DISPENSERS CANNOT BE MOUNTED DIRECTLY ON A DECK DUE TO THE REQUIRED 4" MINIMUM SENSOR CLEARANCE. THESE DISPENSERS MUST BE MOUNTED OVER A LAV BOWL.



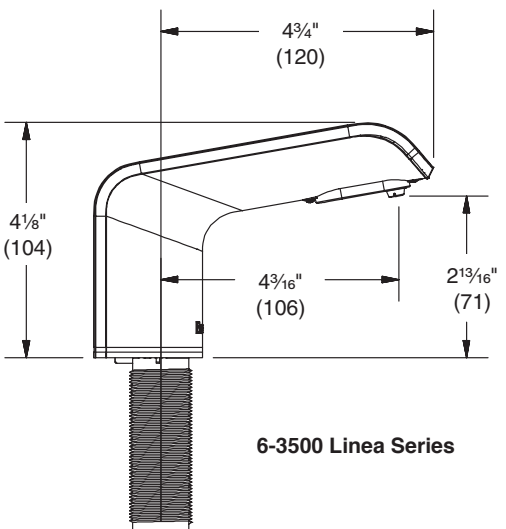
The 6-3100 Series soap dispenser can be mounted directly on a deck with the use of Crestt - Spout Spacer (P15-576). Contact Bradley Tech Service for additional information.



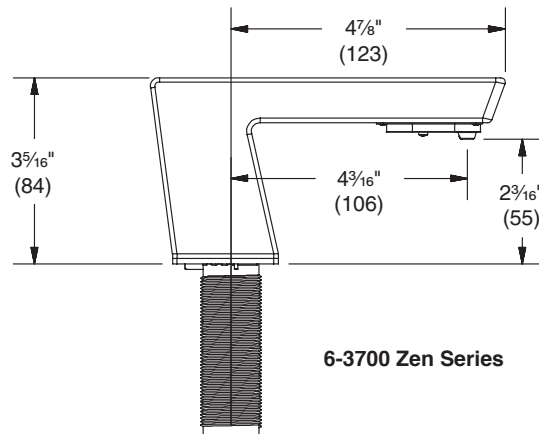
6-3100 Crestt Series



6-3300 Metro Series




6-3500 Linea Series




6-3700 Zen Series


1 Soap Spout Mounting

A Place the silicone washer under the soap spout assembly. Align with the emboss on the bottom side of the shank.

 LED indication shows through the silicone washer.

C Insert the soap spout shank through the mounting hole.

 Verify the soap spout shank & silicone washer sit flat on the deck.

 Verify there is clearance of 2-1/8" diameter on the underside of the deck for the locking tab.

Soap Spout Assembly

B Carefully insert the soap supply & vent tubes, and the LED & sensor wires through the mounting hole.

1-3/8" Dia. Mounting Hole

Locking Tab

Wing Nut

LED Location

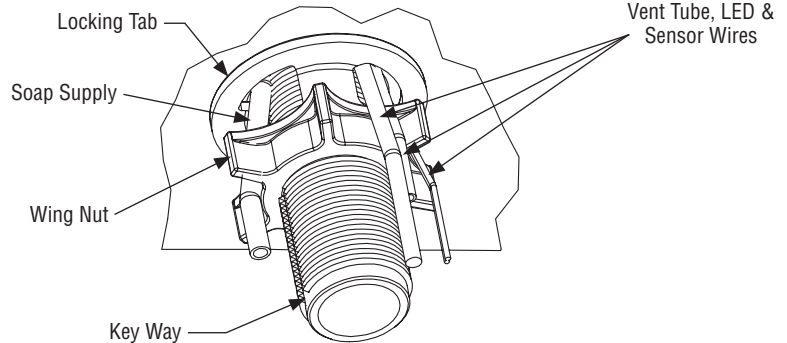
Bradley

Deck

D Position the locking tab key in line with the keyway on the shank.


E Feed the soap supply & vent tubes, and LED & sensor wires through the opening in the locking tab.

F Thread the wing nut onto the shank. Torque to 75 in/lb.



2 Control Box Mounting


A Locate the mounting position for the control box assembly.

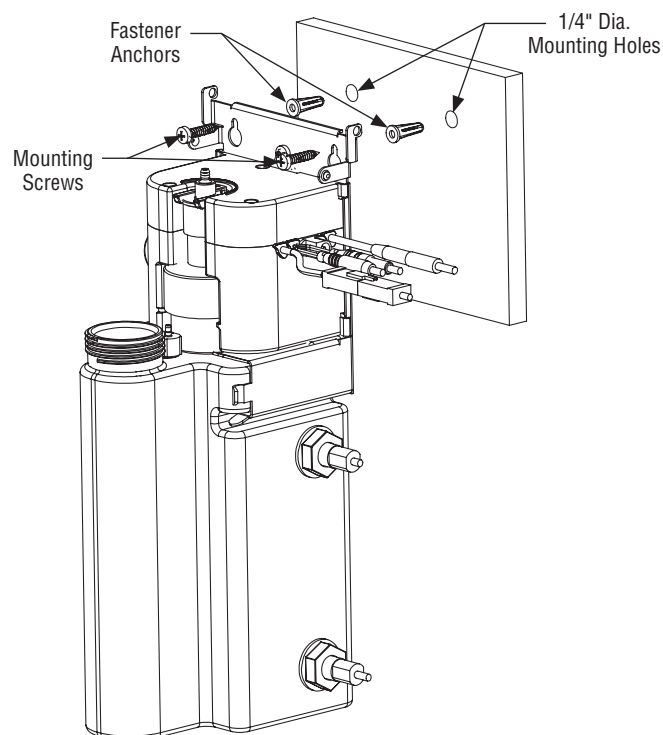
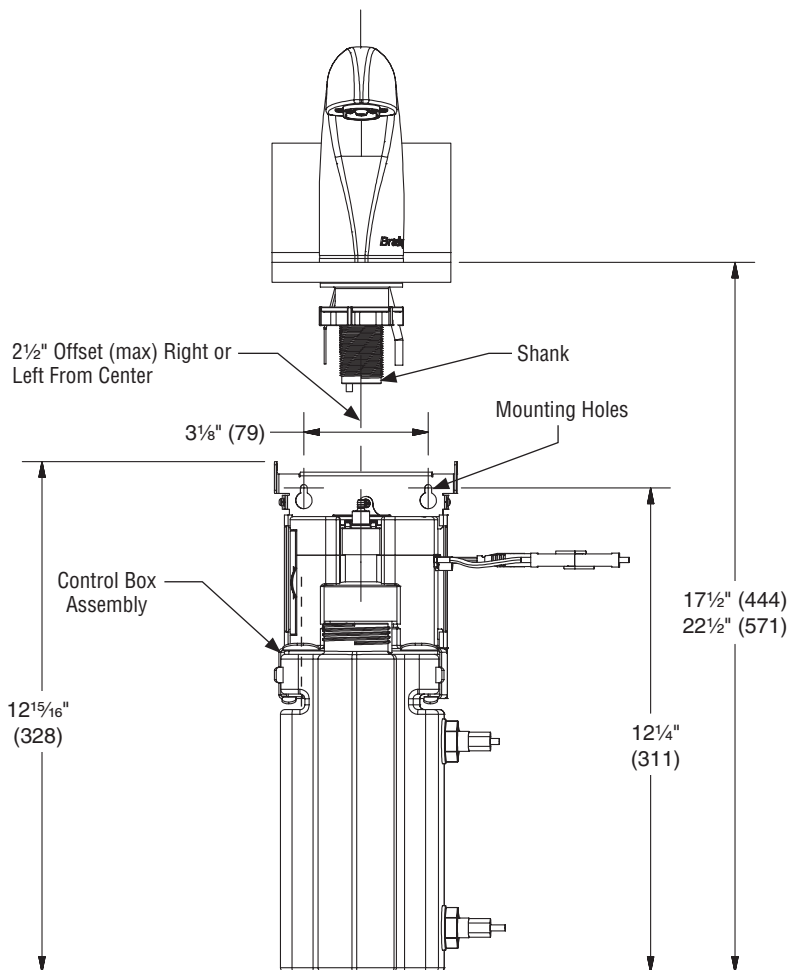
 *The bottom of the tank must be mounted between 17½" & 22½" from the top of the deck, and 2½" right or left of center of shank.*

B Use a level to ensure the control box assembly is level, and then mark two mounting hole locations on the wall using a pencil.

C Drill the two ¼" diameter mounting holes into the wall or surface, using a drill and appropriate drill bit.


D Use the supplied mounting screws (or suitable mounting hardware) to attach the control box assembly in place.

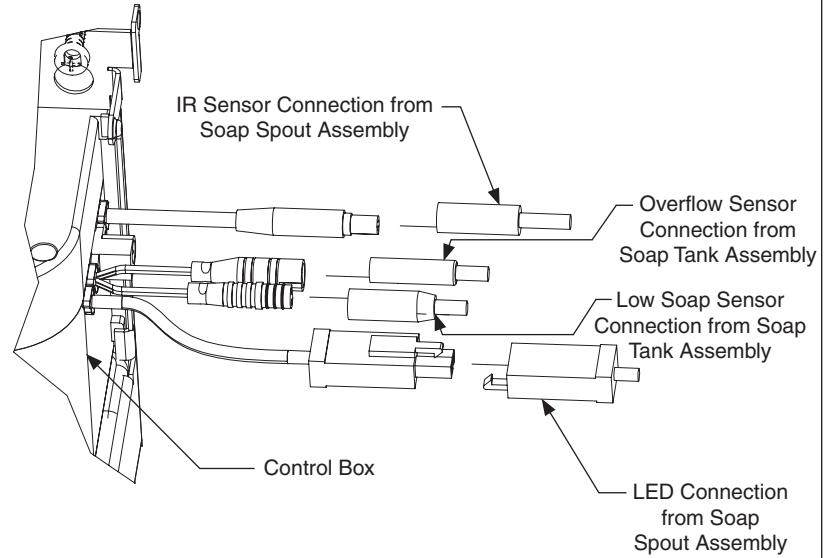
 *Appropriate fastener anchors and mounting hardware must be used when mounting the control box assembly in the desired surface.*



3 Control Box Connections

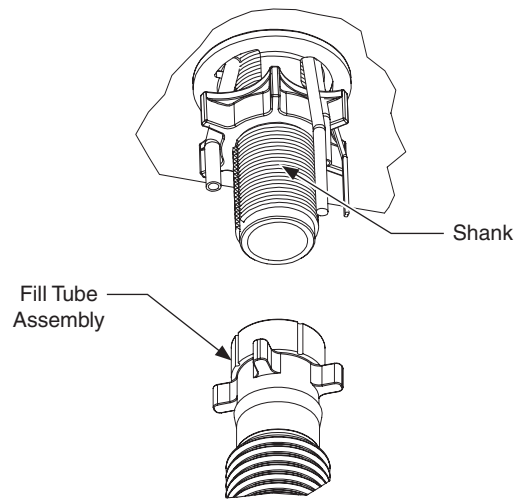
A Make the IR sensor, LED, overflow, and low soap connections as shown.

 *Connections are NOT interchangeable.*



4 Soap Fill Tube Connection


A Thread the fill tube assembly (clockwise) onto the shank.

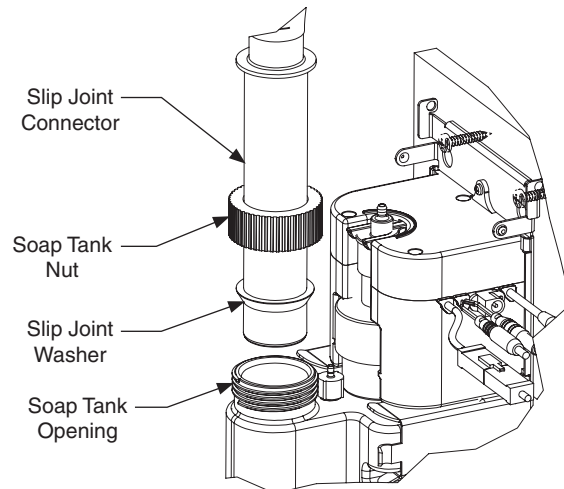


B Align the slip joint connector to the I.D. of the soap tank opening.

C With the slip joint washer in place, slide the soap tank nut down until it makes contact with the soap tank opening.

D Thread the soap tank nut clockwise onto the soap tank. Fasten hand tight.

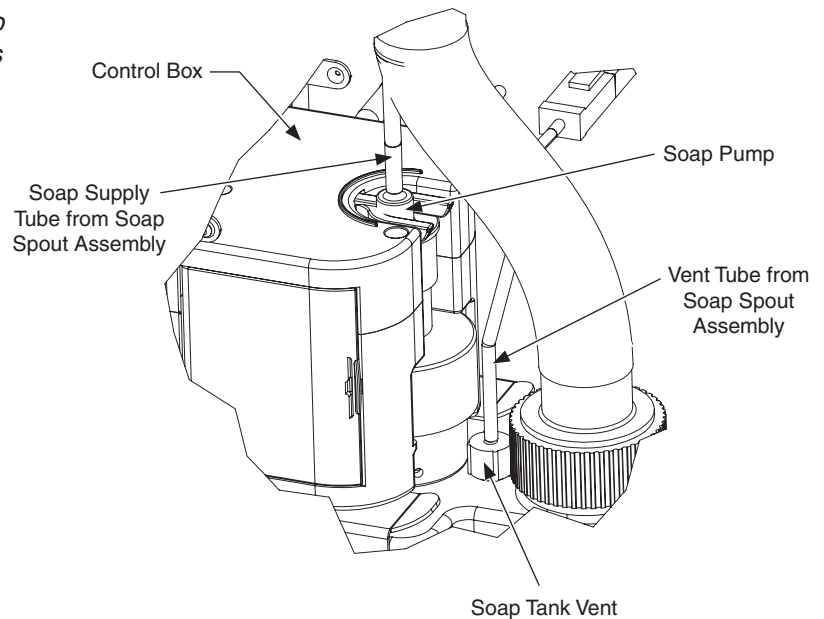
 *The slip joint connector has up to 5" of vertical adjustment.*



5 Soap Pump & Vent Tube Connection

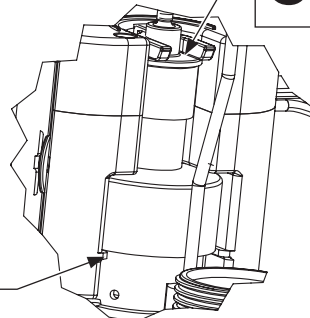
- ✓ *The larger diameter tube is for the soap supply and the smaller diameter tube is the soap vent tube.*

A Attach the soap supply tube from the spout assembly to the top of the soap pump by pressing tube over the hose barb fitting.



B Verify the soap supply tube is not kinked and then position hand on the control box and adjust the soap supply tube or the soap pump as shown.

C Position the top of the soap pump below the control box lever.

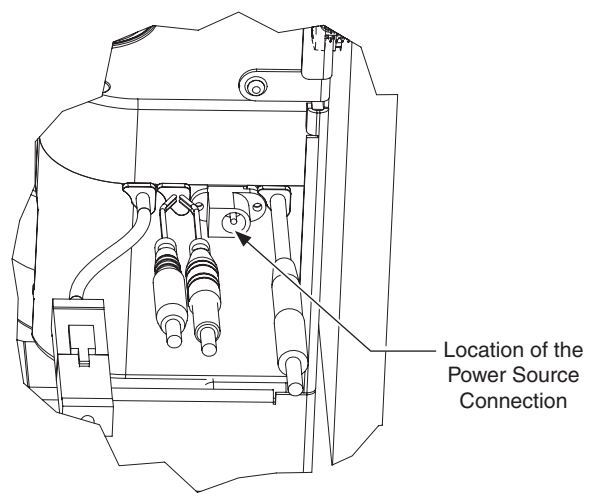


D Position the shoulder of the soap pump above the control box groove.

6 Power Source Connection

- ✓ *Each individual soap dispenser requires the same connections.*
- ✓ *The power source is located on the right hand side of the control box.*
- ✓ *The power supply can be a Bradley supplied battery pack, a single AC adaptor, or an AC adapter splitter assembly kit, depending on the selection made at time of purchase.*

A Connect the power supply to the power source. When the connection is made, the LED at the base of the soap dispenser spout will flash green for 0.5 seconds.



7 Top Filling the Soap Dispenser

- ✓ When the soap level is at approximately 25% capacity, the LED indicator on the shank will flash red, indicating low soap levels.

Soap tank capacity is 70.5 oz (2080 mL).

- A** Insert the supplied 3 mm hex Allen wrench into the opening on the lower right-hand side of the spout. Turn the Allen wrench counter-clockwise to loosen the cap screw that secures the spout assembly to the shank.

- B** Use a straight, upward motion to carefully lift the spout assembly from the shank, and set the spout assembly on its side within 3"-4" from the shank. The spout automatically powers off when it is removed from the shank, preventing soap from dispensing.

- ✓ If the spout assembly does not easily lift from the shank, use the Allen wrench to loosen the cap screw until the spout assembly detaches.

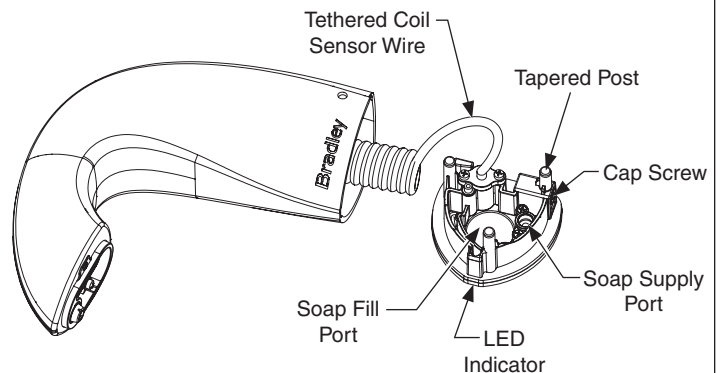
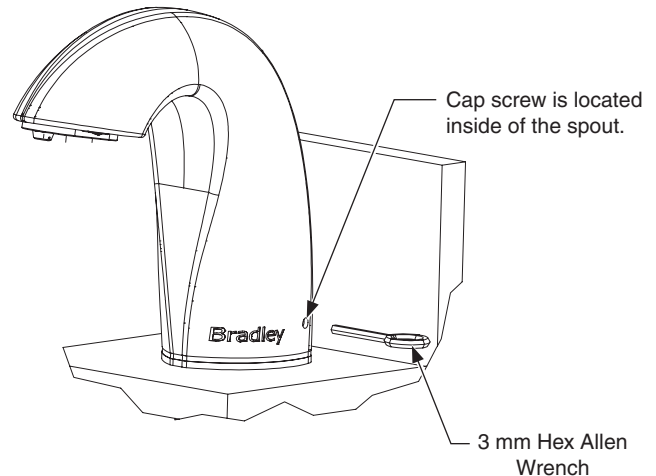
- C** Slowly pour the soap into the soap fill port located at the center of the shank.

- ✓ To prevent overfilling, the LED indicator on the shank will turn solid red and an audible indicator will sound for 2.5 seconds, indicating that soap levels are at 80% capacity.

- D** Align the 3 tapered posts with the mating holes in the spout and carefully place the spout assembly back onto the shank.

- ✓ Assistance with the tethered coil sensor wire may be needed to properly place the spout assembly onto the shank.

- E** Use the Allen wrench to tighten the cap screw, securing the spout assembly to the shank.



Operation Mode

Operation mode is the normal dispensing mode automatically activated when the soap dispenser is in use. All of the sensors are active in this mode.

While in operating mode:

- Soap is activated when IR sensor is triggered.
- When the voltage of the battery is lower than 4.6V ±0.2V for 7–10 seconds, the low power LED indicator flashes green/green and soap dispensing stops.
- When the soap level is below 25% capacity, the low soap LED indicator flashes red.
- When filling the soap fill port with soap, the overflow protection LED indicator becomes steady red and audible indicator sounds when the tank is at 80% capacity.
- After connecting to power or re-engaging the spout after filling soap tank, keep hand at the sensor to prime the system. The dispenser will dispense any air from the soap tube, allowing the soap to reach the nozzle. Priming will be complete within 10 dispenses for first time use. After a soap refill, priming will take fewer than 10 dispenses as soap will already be present in the soap tube.

LED Indicators	Duration	Meaning
LED flashes green	1 second	Dispensing soap
LED flashes green/green	ON: 1.2 seconds (green for 0.5 seconds, pause for 0.2 seconds, green for 0.5 seconds) OFF: 2 seconds	Low power
LED flashes red	ON: 0.2 seconds OFF: 2 seconds Soap dispensing is enabled intermittently	Low soap
LED becomes steady red with audible indicator	2.5 seconds	Overflow protection
LED flashes green	0.5 seconds	First time dispensing (priming the system)
LED solid red	Continuously solid	Maintenance required/cleaning of soap pump and system or possibly replacement of soap pump

Cleaning and Maintenance for Soap Dispenser

Wipe top and underside of soap dispenser with a mild neutral based cleaner. Dry with a soft cloth to avoid micro scratches in the soap dispenser finish and sensor plate.

Liquid Soap Recommendations & Dispenser Maintenance

Overview

Quality soap dispensers require good quality soap and periodic maintenance to properly operate. Bradley soap dispensers will provide dependable, consistent operation over the long term when soap with reasonable viscosity and pH levels are used and when a minimal amount of periodic maintenance is performed on the valves. Most soap dispenser problems are caused by soap that is too thick or corrosive, or by a lack of maintenance. Many soaps come in concentrate form which must be diluted with water. Often, the soap is improperly diluted or used straight out of the bottle, which causes clogging and valve failure. If proper soap is being used, valves that have never been cleaned are usually the source of dispensing problems. With proper maintenance and soap, Bradley dispensers will provide long term, trouble free operation.

Viscosity

Soap thickness is determined by a measurement called viscosity. Soap viscosity should be between 100 cps (centipoise) and 5000 cps for all Verge liquid soap dispensers. Thick soaps flow slower and inhibit the “flushing” action of the valves, which allows the soap to congeal in the valve and cause clogs.

pH Level

The pH (acid) level of the soap should be in the range of 6.5 to 8.5. More acidic soaps (pH levels lower than 6.5) will corrode metal parts (even stainless steel!!) and degrade rubber and plastic components. They will also cause skin irritation. Most inexpensive soaps (typically the pink lotion type) fall into this acidic category and will eventually cause valve failure and metal corrosion.

⚠ CAUTION Base soaps (pH levels higher than 8.5) will cause skin irritation and swelling or degradation of rubber and plastic parts.

Soap Valves

Valves must also be maintained (cleaned) to function properly. At the very minimum, hot water should be pumped through valves periodically to clear out soap residue. Ideally, valves should occasionally be soaked for 30 minutes in hot water or a soap valve cleaning solution. The valve should be pumped at least 20 times while it is soaking to clear any clogs. The soap reservoir should also be flushed with hot water. Generally, any quality soap meeting the viscosity and pH guidelines above will work well with Bradley soap dispensers. PCMX or Isopropanol based antibacterial soaps (within viscosity and pH limits) will also work with Bradley dispensers. Soaps satisfying these basic guidelines will provide consistent flow and reduce clogs.