



Surface-mounted shelf:

- Model 755-XX (5" depth, specify length)
- Model 756-XX (6" depth, specify length)
- Model 758-XX (8" depth, specify length)

Product Materials

SHELF: 18 gauge stainless steel with exposed surfaces in architectural satin finish. End brackets are integral.

CENTER BRACKETS: (shelves over 24" length) 16 gauge stainless steel. Welded to shelf.

Installation

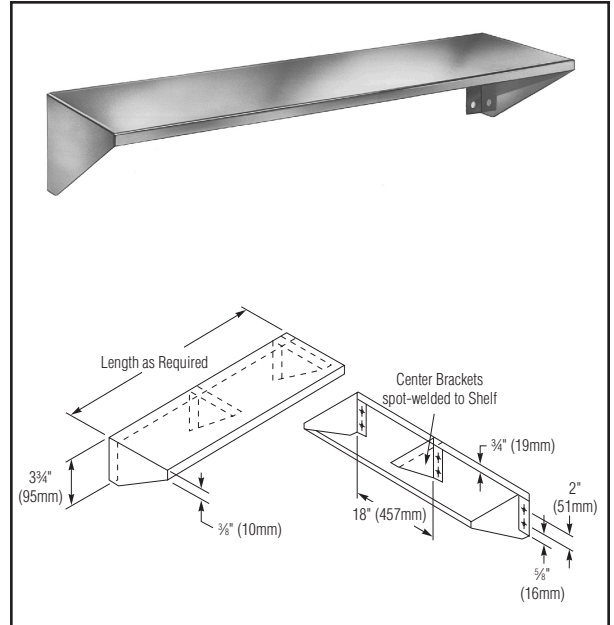
Verify all rough-in dimensions prior to installation. Secure to wall with mounting screws (included) at holes provided.

| Length | No. of Center Brackets |
|-------------|------------------------|
| 6" to 24" | 0 |
| 25" to 48" | 1 |
| 49" to 72" | 2 |
| 73" to 96" | 3 |
| 97" to 112" | 4 |

Guide Specification

Surface-mounted shelf shall be fabricated of 18 gauge stainless steel with exposed surfaces in satin finish and integral end brackets. Shelves over 24" long shall have 16 gauge intermediate support brackets of matching stainless steel.

Surface-Mounted Shelf shall be Bradley Model 755, 756, 758-_____ " (specify length).



Bradex® Models

| Depth (Inches) | Length (Inches) | Overall Dimension (Inches) | Overall Dimensions (Millimeters) | Standard Model Number |
|----------------|-----------------|----------------------------|----------------------------------|-----------------------|
| 5" | 12" | 5 x 12 | 127 x 305 | 755-12 |
| 5" | 18" | 5 x 18 | 127 x 457 | 755-18 |
| 8" | 24" | 8 x 24 | 203 x 610 | 758-24 |

Orders composed of products indicated as **Bradex®** will be available to ship in three days after receipt of order at the factory. There is no pricing penalty for this service from Bradley.

Page 1 of 1
 This information is subject to change without notice.
 Bradley_Shelf_755_756_758

4/5/2013

© 2014 Bradley
 P.O. Box 309, Menomonee Falls, WI 53052-0309
 800 BRADLEY (800 272 3539) +1 262 251 6000
 bradleycorp.com