



Model 5831 — Surface-Mounted **Bradex**[®]

- ☑ 250 Capacity

Product Materials

UNIT: 22 gauge stainless steel with exposed surfaces in architectural satin finish. Welded construction with burr-free edges.

Capacity

250 standard single-fold or half-fold toilet seat covers.

Operation

Insert seat covers through bottom of unit.

Guide Specification

Surface-mounted toilet seat cover dispenser shall be fabricated of 22 gauge stainless steel with exposed surfaces in satin finish. Capacity 250 toilet seat covers.

Overall dimensions: 15³/₄"W x 11"H x 2"D.

Product Compliance

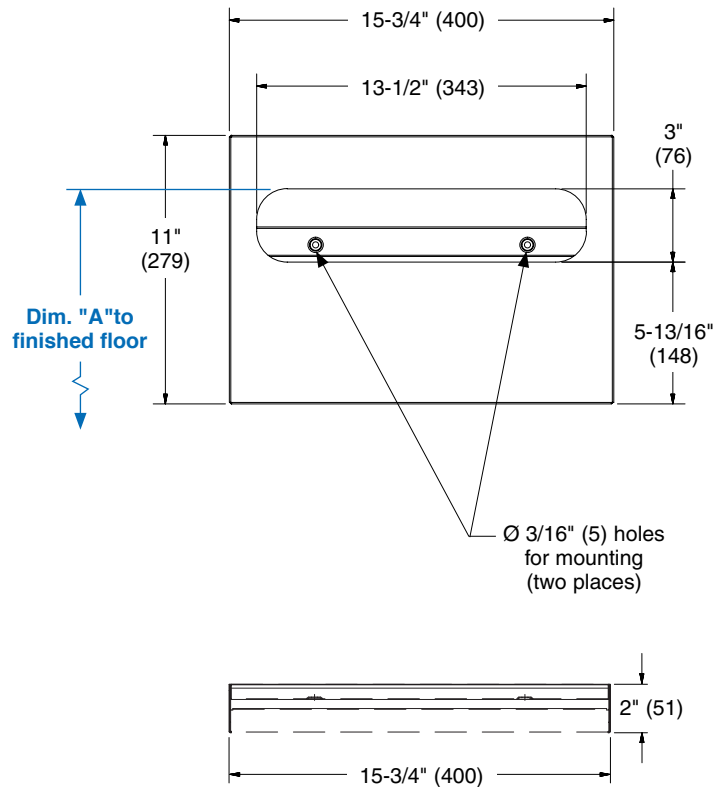
- ICC ANSI A117.1, Citation 609.3



- ☑ Consult local and national accessibility codes for proper installation guidelines.
- ☑ Conformity and compliance to local and national codes is the responsibility of the installer.



Dimensions (mm)



Orders composed of products indicated as **Bradex**[®] will be available to ship in three days after receipt of order at the factory. There is no pricing penalty for this service from Bradley.

Page 1 of 1
6/28/2021
This information is subject to change without notice.
Bradley_SeatCoverDispenser_5831

[View Latest Version](#)

© 2021 Bradley
P.O. Box 309, Menomonee Falls, WI 53052-0309
800 BRADLEY (800 272 3539) +1 262 251 6000
bradleycorp.com