



Model 5126 — Bradex®

- Surface-Mounted
- Hinged Hood
- Non-Controlled Delivery
- Dual Roll (For Single Roll see Model 5106)

Product Materials

HOUSING AND HOODS: bright polished stainless steel.

SPINDLES: chrome-plated plastic.

Capacity

Two standard core toilet tissue rolls through 5½" in diameter.

Operation

Concealed spring permits spindle to telescope for servicing. Spindle turns freely for non-controlled delivery. Hinged hood prevents unintentional unraveling while keeping top tissue surface clean. Hinged hood is not removable.

Installation

Verify all rough-in dimensions prior to installation. Secure to wall with mounting screws (included) at holes provided.

Optional Features

Feature	Suffix
<input type="checkbox"/> Anti-theft spindle	-52

Guide Specification

Surface-mounted roll toilet tissue dispenser with hinged hood shall be bright polished stainless steel and hold two standard core toilet tissue rolls.

Overall dimensions: 12½"W x 6½"H x 2"D.

 **ADA Compliant**

- Consult local and national accessibility codes for proper installation guidelines.
- Conformity and compliance to local and national codes is the responsibility of the installer.



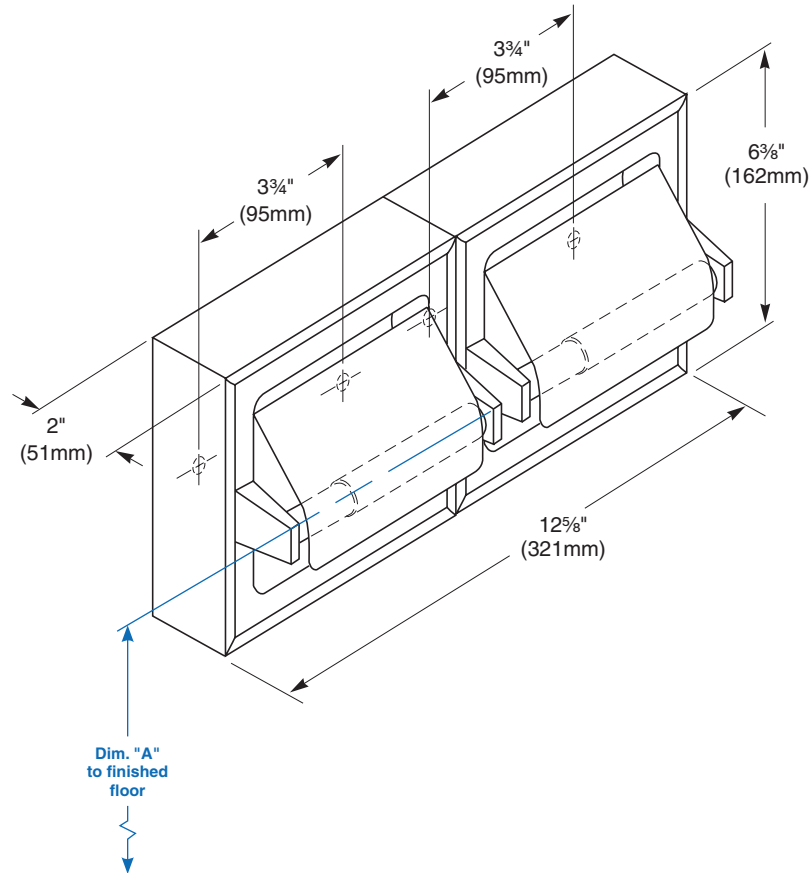
Orders composed of products indicated as **Bradex®** will be available to ship in three days after receipt of order at the factory. There is no pricing penalty for this service from Bradley.

Page 1 of 2 1/20/2011
This information is subject to change without notice.
Bradley_TPDispenser_5124_5126

© 2014 Bradley
P.O. Box 309, Menomonee Falls, WI 53052-0309
800 BRADLEY (800 272 3539) +1 262 251 6000
bradleycorp.com



Dimensions



Dim. "A" Key Surface:	For Dim. "A"	Top of Unit	Bottom of Unit
Centerline of spindle to finished floor (bottom edge of paper roll 3" below centerline of spindle)	23" (584mm)	26" (660mm)	19 5/8" (498mm)
	22" (559mm)	25" (635mm)	18 5/8" (473mm)
	21" (533mm)	24" (610mm)	17 7/8" (448mm)
	20" (508mm)	23" (584mm)	16 5/8" (422mm)
	19" (483mm)	22" (559mm)	15 5/8" (397mm)
	18" (457mm)	21" (533mm)	14 5/8" (371mm)
Rough wall opening:			
Surface Mount:	No rough opening, see overall dimensions		

Orders composed of products indicated as **Bradex**® will be available to ship in three days after receipt of order at the factory. There is no pricing penalty for this service from Bradley.

Page 2 of 2
 1/20/2011
 This information is subject to change without notice.
 Bradley_TPDispenser_5124_5126

© 2014 Bradley
 P.O. Box 309, Menomonee Falls, WI 53052-0309
 800 BRADLEY (800 272 3539) +1 262 251 6000
 bradleycorp.com