



**Model 5126 — Bradex®**

- Surface-Mounted
- Hinged Hood
- Non-Controlled Delivery
- Dual Roll (For Single Roll see Model 5106)

**Product Materials**

**HOUSING AND HOODS:** bright polished stainless steel.

**SPINDLES:** chrome-plated plastic.

**Capacity**

Two standard core toilet tissue rolls through 5½" in diameter.

**Operation**

Concealed spring permits spindle to telescope for servicing. Spindle turns freely for non-controlled delivery. Hinged hood prevents unintentional unraveling while keeping top tissue surface clean. Hinged hood is not removable.

**Installation**

Verify all rough-in dimensions prior to installation. Secure to wall with mounting screws (included) at holes provided.

**Optional Features**

| Feature                                     | Suffix |
|---|--------|
| <input type="checkbox"/> Anti-theft spindle | -52    |

**Guide Specification**

Surface-mounted roll toilet tissue dispenser with hinged hood shall be bright polished stainless steel and hold two standard core toilet tissue rolls.

**Overall dimensions: 12½"W x 6½"H x 2"D.**

 **ADA Compliant**

- Consult local and national accessibility codes for proper installation guidelines.
- Conformity and compliance to local and national codes is the responsibility of the installer.



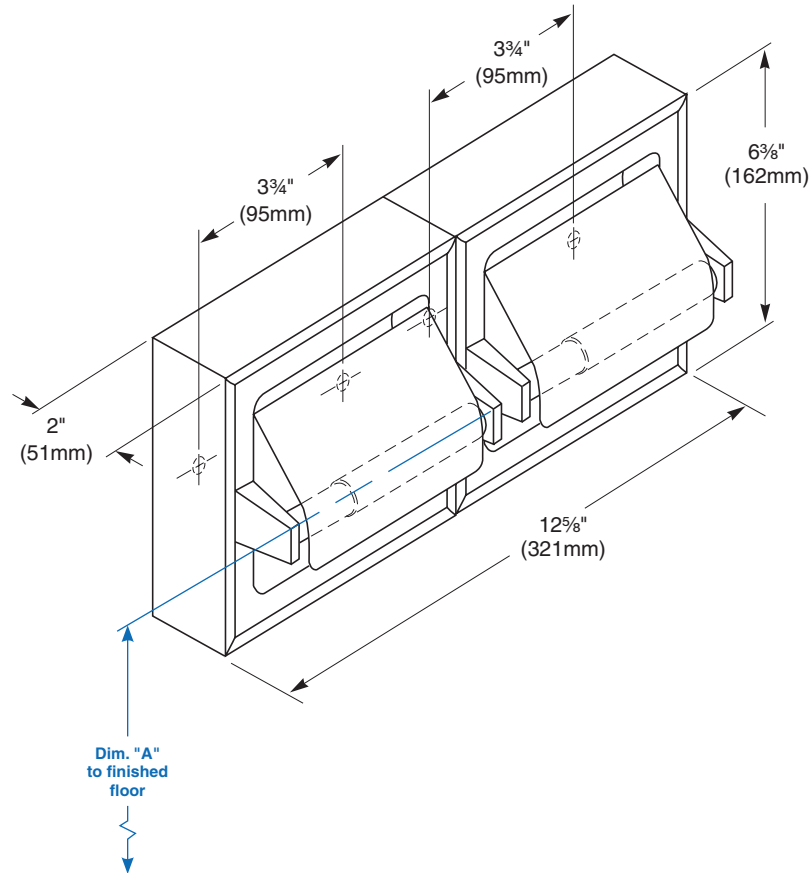
Orders composed of products indicated as **Bradex®** will be available to ship in three days after receipt of order at the factory. There is no pricing penalty for this service from Bradley.

Page 1 of 2 1/20/2011  
This information is subject to change without notice.  
Bradley\_TPDispenser\_5124\_5126

© 2014 Bradley  
P.O. Box 309, Menomonee Falls, WI 53052-0309  
800 BRADLEY (800 272 3539) +1 262 251 6000  
bradleycorp.com



Dimensions



| Dim. "A" Key Surface:  | For Dim. "A"                             | Top of Unit | Bottom of Unit  |
|--|--|-------------|-----------------|
| Centerline of spindle to finished floor (bottom edge of paper roll 3" below centerline of spindle) | 23" (584mm)                              | 26" (660mm) | 19 5/8" (498mm) |
|  | 22" (559mm)                              | 25" (635mm) | 18 5/8" (473mm) |
|  | 21" (533mm)                              | 24" (610mm) | 17 7/8" (448mm) |
|  | 20" (508mm)                              | 23" (584mm) | 16 5/8" (422mm) |
|  | 19" (483mm)                              | 22" (559mm) | 15 5/8" (397mm) |
|  | 18" (457mm)                              | 21" (533mm) | 14 5/8" (371mm) |
| <b>Rough wall opening:</b>   |  |             |                 |
| Surface Mount:   | No rough opening, see overall dimensions |             |                 |

Orders composed of products indicated as **Bradex**® will be available to ship in three days after receipt of order at the factory. There is no pricing penalty for this service from Bradley.

Page 2 of 2  
 1/20/2011  
 This information is subject to change without notice.  
 Bradley\_TPDispenser\_5124\_5126

© 2014 Bradley  
 P.O. Box 309, Menomonee Falls, WI 53052-0309  
 800 BRADLEY (800 272 3539) +1 262 251 6000  
 bradleycorp.com