



**Model 357 — Surface-Mounted  
Bradex®**

6.5-gallon Capacity

**Product Materials**

**RECEPTACLE:** 22 gauge stainless steel with exposed surfaces in architectural satin finish. All welded construction with rounded front corners.

**LINER:** (optional) heavy-duty stitched vinyl-coated nylon.

**HINGED COVER:** (optional) 22 gauge stainless steel with exposed surfaces in architectural satin finish. Heavy-duty stainless steel piano hinge.

**Capacity**

6.5 gal. (0.9 cu. ft.)

**Operation**

Optional vinyl liner is attached to receptacle with hook-and-loop fasteners, easily removed for servicing.

**Installation**

Verify all rough-in dimensions prior to installation. Secure to wall with mounting screws (not included) at holes provided. Mounting kits available through Bradley (ref. #899-027).

**Optional Features**

Feature	Suffix
<input type="checkbox"/> Hinged cover	-35
<input type="checkbox"/> Vinyl Liner Part #P11-007	

**Guide Specification**

Surface-mounted waste receptacle shall be fabricated of 22 gauge stainless steel with seamless exposed surfaces in satin finish. Reusable heavy-duty vinyl liner (optional). Receptacle holds 6.5 gal.

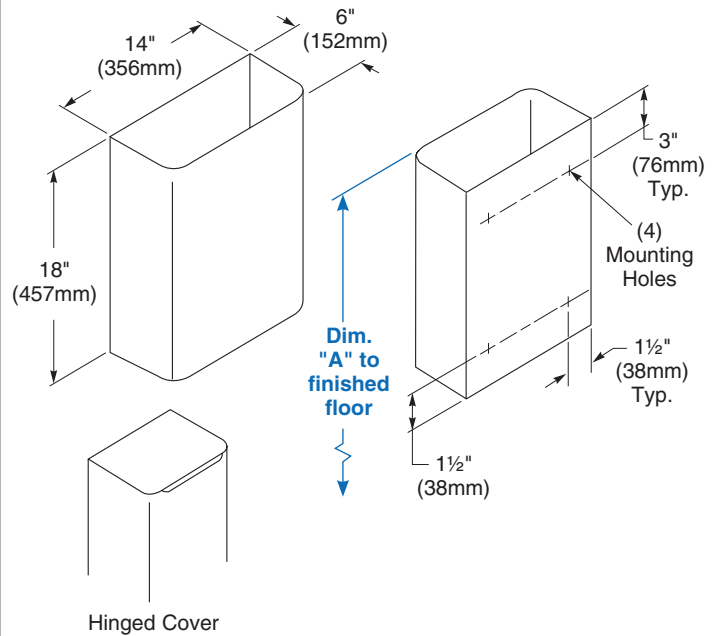
**Overall dimensions: 14"W x 18"H x 6"D.**

**ADA Compliant**

- Consult local and national accessibility codes for proper installation guidelines.
- Conformity and compliance to local and national codes is the responsibility of the installer.

Orders composed of products indicated as **Bradex®** will be available to ship in three days after receipt of order at the factory. There is no pricing penalty for this service from Bradley.

Page 1 of 1 3/17/2014  
This information is subject to change without notice.  
Bradley\_WasteReceptacle\_357



Dim. "A" Key Surface:	For Dim. "A"	Top of Unit	Bottom of Unit
Waste receptacle top lip to finished floor	36" (914mm)	36" (914mm)	18" (457mm)
	32" (813mm)	32" (813mm)	14" (356mm)
	28" (711mm)	28" (711mm)	10" (254mm)
<b>Rough wall opening:</b>			
Surface Mount:	No rough wall opening, see overall dimensions		

© 2014 Bradley  
P.O. Box 309, Menomonee Falls, WI 53052-0309  
800 BRADLEY (800 272 3539) +1 262 251 6000  
bradleycorp.com