



Model 2A10-11 — Surface-Mounted **Bradex**[®]

- Diplomat Series
- C-Fold/Multi-Fold Towels

Product Materials

CABINET: 0.030-inch/22-ga. (0.76 mm) stainless steel with exposed surfaces in architectural satin finish. Welded construction with seamless corners and burr-free edges.

DOOR: 0.036-inch/20-ga. (0.92 mm) stainless steel with full length piano hinge and tumbler lock keyed like other Bradley units. Front of door has matching curvature to other Bradley Diplomat washroom accessories.

TOWEL DISPENSER: 0.030-inch/22-ga. (0.76 mm) stainless steel. Rolled edge on towel dispenser opening.

Capacity

525 multi fold or 400 C-fold paper towels.

Operation

Towel dispenser holds multi-fold or C-fold towels without use of special adapter.

Installation

Secure to wall with mounting screws (not included) at holes provided. Mounting kit (#899-027) available through Bradley. Provide in-wall backing at mounting screw locations.

Guide Specification

Folded paper towel dispenser in surface-mounted wall cabinet. Towel dispenser door face formed with contemporary contours, radii, and finish matching related accessories in manufacturer's designer series. Towel dispenser capacity 525 multi-fold or 400 C-fold paper towels, accessed with hinged service door with keyed tumbler lock. Dispenses using less than 5 lbs. of force. Universal keying. Formed from stainless steel sheet with satin finish on exposed surfaces, fully welded, with seamless corners and burr-free edges: cabinet 0.030-inch / 22-ga. thick; door 0.036-inch / 20-ga. thick.

Overall dimensions: 11"W x 14³/₄"H x 5¹/₄"D.

MasterFormat Title: Commercial Toilet Accessories

MasterFormat Number: 10 28 13.13

OmniClass Title: Toilet and Bath Specialties

OmniClass Code: 23.31.25.00



For information on Warranties, Maintenance and BAA/ARRA Compliance, visit our web site at:
bradleycorp.com/products/accessories/.

Orders composed of products indicated as **Bradex**[®] will be available to ship in three days after receipt of order at the factory. There is no pricing penalty for this service from Bradley.

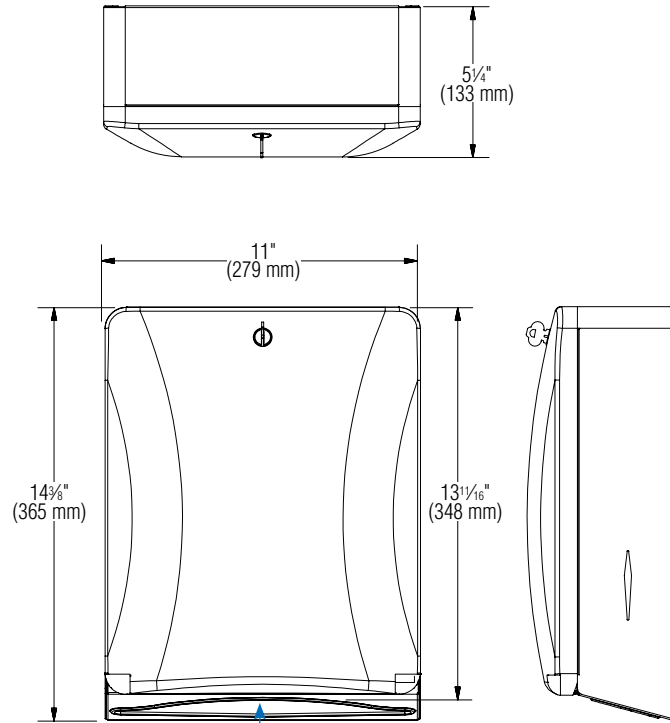
Page 1 of 2
11/11/2020
This information is subject to change without notice.
Bradley_Dispenser_2A10-11

[View Latest Version](#)

© 2020 Bradley
P.O. Box 309, Menomonee Falls, WI 53052-0309
800 BRADLEY (800 272 3539) +1 262 251 6000
bradleycorp.com



Dimensions



Dim. "A" to finished floor

Dim. "A" Key Surface:	For Dim. "A"	Locate Top of Unit	Locate Bottom of Unit
Paper towel top of opening to finished floor	48" (1219mm)	61 ³ / ₄ " (1568mm)	47 ³ / ₈ " (1203mm)
	45" (1143mm)	58 ³ / ₄ " (1492mm)	44 ³ / ₈ " (1127mm)
	42" (1067mm)	55 ³ / ₄ " (1416mm)	41 ³ / ₈ " (1051mm)
	40" (1016mm)	53 ³ / ₄ " (1365mm)	39 ³ / ₈ " (1000mm)

Orders composed of products indicated as **Bradex**® will be available to ship in three days after receipt of order at the factory. There is no pricing penalty for this service from Bradley.

Page 2 of 2
 11/11/2020
 This information is subject to change without notice.
 Bradley_Dispenser_2A10-11

[View Latest Version](#)

© 2020 Bradley
 P.O. Box 309, Menomonee Falls, WI 53052-0309
 800 BRADLEY (800 272 3539) +1 262 251 6000
 bradleycorp.com