



□ Model 2496 — Surface-Mounted with Sensor Activation **Bradex**[®]

Product Materials

UNIT: Constructed of high impact material. Door is translucent, and fabricated from durable high-impact plastic.

Capacity

Dispenses non-perforated roll towels up to 8-1/2" in diameter and 8" wide with core sizes from 1 1/2"–2". Dispenser also allows for 4" diameter stub roll.

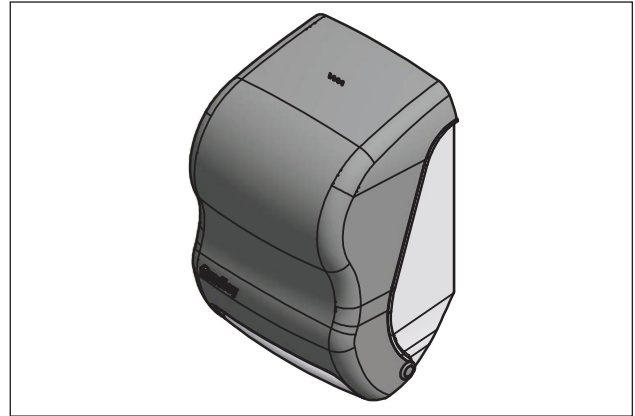
Operation

After loading paper and supplying power, simply close the dispenser cover. A 10" towel will be dispensed, and the unit is now ready for use. Operates with 4 "D" size alkaline batteries (not included). Automatic transfer system will integrate stub roll when the primary is nearly depleted. A flashing red indicator light indicates that batteries need to be replaced.

Installation

Verify all rough-in dimensions prior to installation. Secure to wall using convenient mounting slots and use appropriate mounting devices supplied by installer.

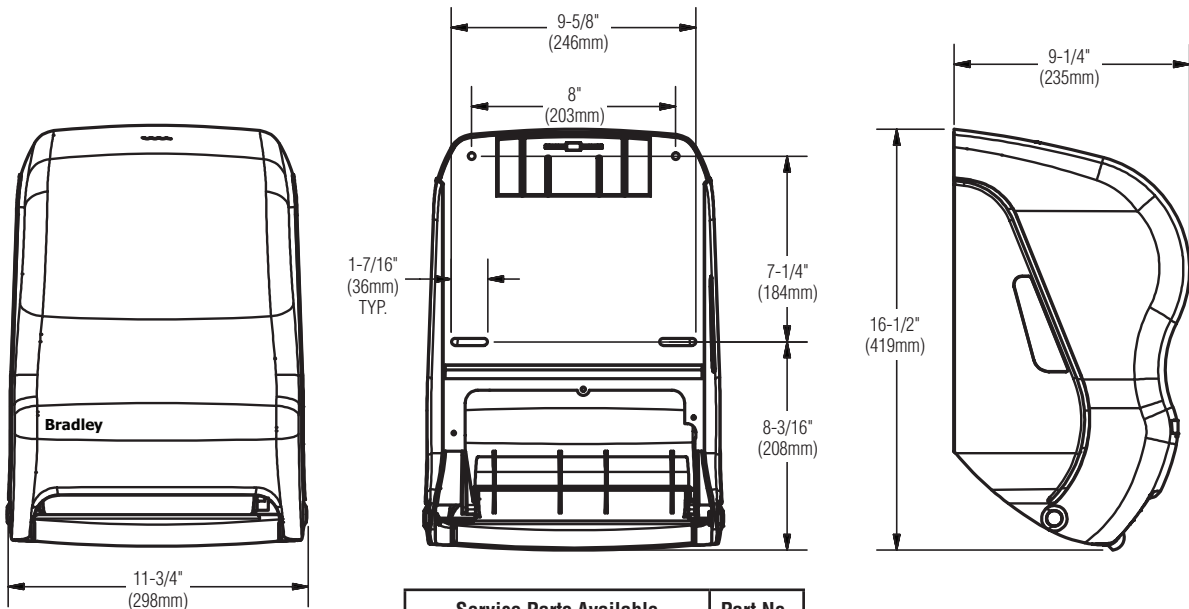
- ☑ Model 2496 fits inside Model 2271, and the two units can be combined to create a multi-purpose cabinet.



Guide Specification

Dispenser housing is fabricated from durable high impact material. The cover shall be fabricated from translucent high impact plastic. Dispenser shall have a sensor-operated towel dispensing mechanism. Dispenser will dispense a 10" towel after each tear of paper. Dispenser will be provided with a key activated spring lock. Dispenser shall include a transfer system which will automatically start feeding the paper web of the top roll when the lower roll is nearly depleted.

Overall dimensions: 11-3/4"W x 16-1/2"H x 9-1/4"D.



Service Parts Available	Part No.
□ Replacement Cover (no logo)	P15-458
□ Key	P15-454
□ AC Conversion Pack	P15-459
□ Keyless Handle	P10-740

Orders composed of products indicated as **Bradex**[®] will be available to ship in three days after receipt of order at the factory. There is no pricing penalty for this service from Bradley.

Page 1 of 1
3/14/2012
This information is subject to change without notice.
Bradley_Dispenser_2496

© 2015 Bradley
P.O. Box 309, Menomonee Falls, WI 53052-0309
800 BRADLEY (800 272 3539) +1 262 251 6000
bradleycorp.com