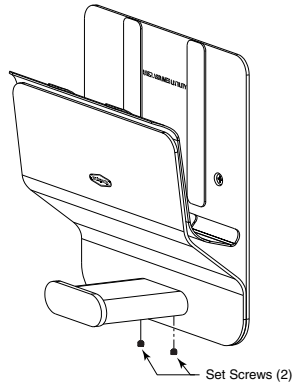
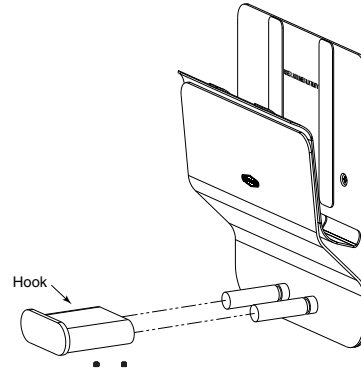


**INSTRUCTIONS FOR INSTALLATION**

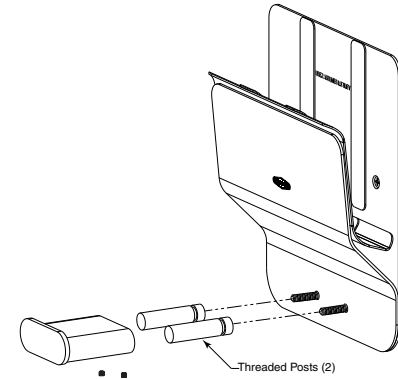
**Bobrick KLUTCH B-635 MOBILE DEVICE HOLDER**



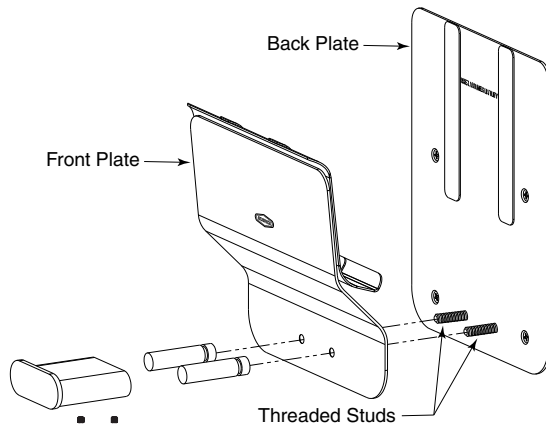
1. Removing set screws located at the bottom of the hook assembly using Allen wrench (not provided).



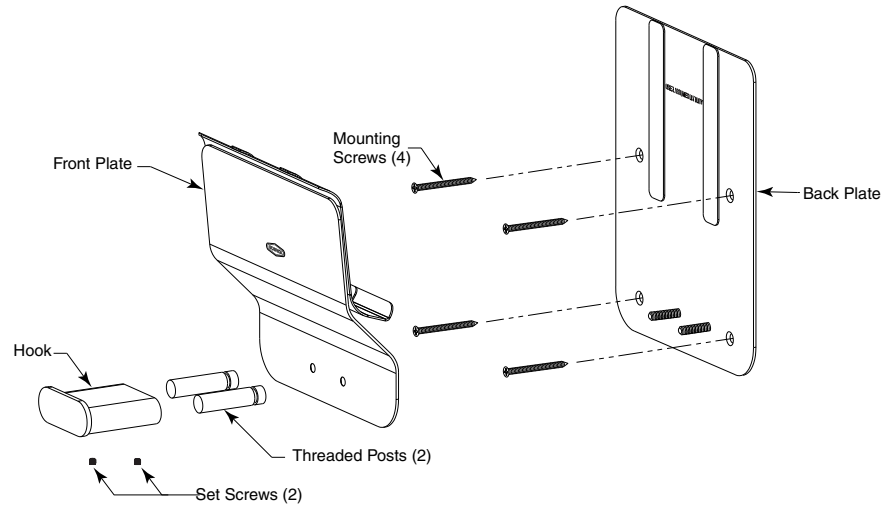
2. Loosen hook.



3. Remove threaded posts by hand.



4. Remove Front-Plate from Back-Plate by pulling the Front-Plate off the threaded studs.



5. Mount unit against the wall at screw hole locations and secure the item by using #8 sheet metal mounting screws (not furnished), length of screw depends on wall-depth (partition-wall to masonry).

Finalize installation and replace the front-plate, threaded posts and hook (including set screws) by proceeding back in reverse direction from 4. to 1.

