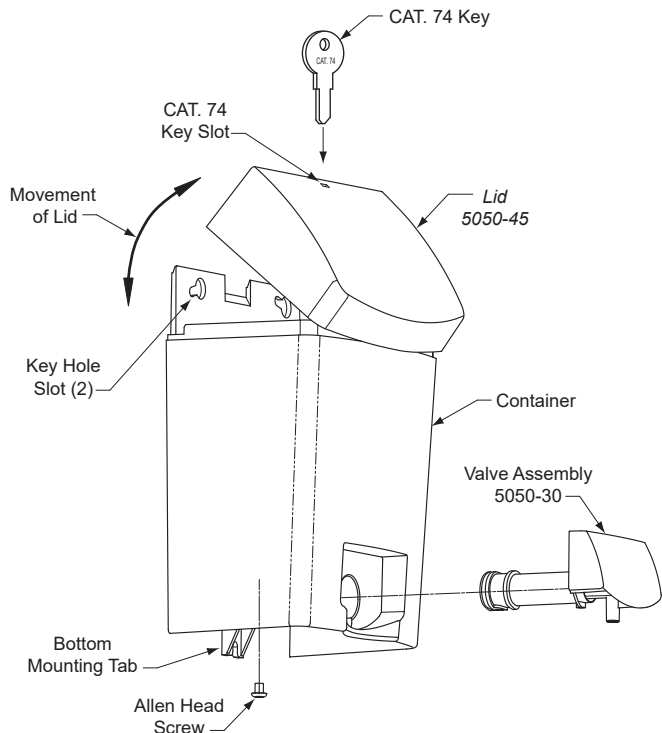


INSTRUCTIONS FOR INSTALLATION AND MAINTENANCE

Bobrick Model B-5050 Soap Dispenser



HOW TO INSTALL THE DISPENSER:

1. Locate soap dispenser so the push button spout will be over the lavatory. Allow a minimum 4" (100mm) clearance between top of dispenser and bottom of any shelf, cabinet, or other horizontal projection to provide enough space to fully open the lid and fill dispenser.
2. Remove the lid with key provided by inserting end of key into slot at back of lid. Push key into slot and lift up the back of the lid at the same time. Rotate lid forward and lift up to remove.
3. Provide (3) #10 x 1-1/2" (4.8 x 38mm) mounting screws. Use the vessel as a template to mark the three mounting hole locations on the wall. On the top (2) holes use the small end of the key hole slot to mark the hole locations. Drill (3) mounting holes.
4. Without the vessel, screw the (3) screws into holes leaving approximately 1/4" (6.4mm) between the screw head and the wall.
5. Place the bottom mounting tab of the vessel over the bottom mounting screw. Place the large end of the key hole slots at the top over the two mounting screws. Rotate the top of vessel to the right. This will locate the small end of the key hole slots behind the mounting screws. Finally, tighten all three screws to secure unit to wall.

The surface on which the unit is to be mounted determines the specific type of mounting required for best installation:

For plaster or dry wall on studs, provide concealed backing and secure wall bracket with screws. Backing must comply with local building codes.

For hollow tile partitions and other instances where applicable, provide 1/8" (3.2mm) round-head toggle bolts.

For brick, concrete, or solid tile walls, provide #10 (4.8mm) fiber plugs or expansion shields and mounting screws, or provide 1/8" (3.2mm) cinch bolts or expansion bolts.

For mirrors or glass surfaces, use the pressure-sensitive tape strips provided. Do not use the tape for other types of wall surfaces. Clean any dirt, dust, or oils from the surface and back of vessel. Apply both tape strips horizontally on the back of the vessel. Press the vessel to the mirror or glass surface. Allow the tape to set for 24 hours before filling the soap vessel.

HOW TO REFILL THE SOAP VESSEL:

1. Remove the lid with key provided by inserting end of key into slot and lifting up the back of the lid at the same time. Rotate lid forward and lift up to remove.
2. **Filling soap vessel B-5050:** Fill vessel with commercially marketed all-purpose hand soaps.
3. Insert the tab on the front of lid into the recess inside the front of vessel. Rotate the lid towards the back. Push down on the back of the lid to secure the latch on the lid into vessel.

MAINTENANCE:

1. Warm water mixed with soap from dispenser is the best cleaning solution for all soap dispenser parts. Pump warm water through the vessel and valve periodically to flush out any contaminates or dried soap residue. **NEVER USE ABRASIVE CLEANERS.**
2. Periodically give the dispenser an overall cleaning. Remove the soap vessel by first removing the lid as described earlier. Then loosen all three mounting screws about 1/8" (3.2mm). The top of vessel may then be rotated to the left. This will allow the top of the vessel to move slightly forward so that the whole vessel may be lifted up from the bottom mounting screw.
3. The valve assembly may be removed from the vessel by removing the Allen screw from the bottom of the vessel. Do not disassemble the valve assembly.
4. When cleaning the valve assembly, be sure the cylindrical hole in the vessel is free from all debris and dried soap. Be sure to remove any plastic that may have been created by threading the Allen screw up into the bottom screw hole.

REPLACEMENT PARTS LIST

Part Name	Part No.
Lid	5050-45



BUILDING VALUE SINCE 1906

© 2020 by Bobrick Washroom Equipment, Inc.
Form No. 5050-69 r6/1/20 Printed in U.S.A.

In the U.S.A.: **BOBRICK WASHROOM EQUIPMENT, INC.**

Los Angeles: 6901 Tujunga Ave North Hollywood, California 91605-6213 • Tel: (818) 982-9600 • FAX: 818-503-1102

New York: 200 Commerce Drive, Clifton Park, NY 12065-1350 • Tel: (518) 877-7444 • FAX: (518) 877-5029, or email: customerservice@bobrick.com

In Canada: **BOBRICK WASHROOM EQUIPMENT COMPANY**

45 Rolark Drive, Scarborough, Ontario M1R 3B1 • Eastern Canada: Tel: (877) 423-6555 • FAX: (877) 423-8555

• Western Canada: Tel: (877) 423-6444 • FAX: (877) 423-8444