



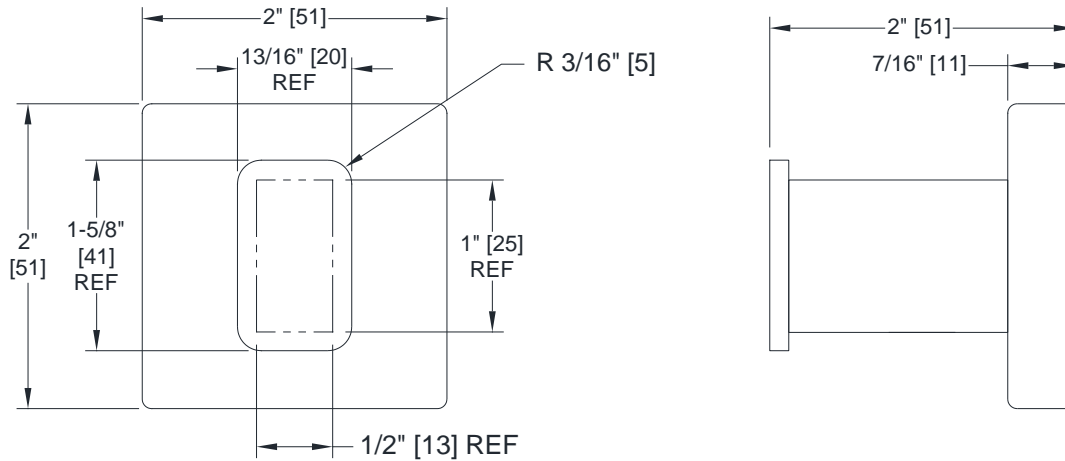
**AMERICAN SPECIALTIES, INC.**  
 441 Saw Mill River Road, Yonkers, NY 10701  
 (914) 476.9000 • (914) 476.0688  
 www.americanspecialties.com

**MODEL №:** 7340

**ISSUED:** JAN 1987

**REVISED:** 29 APR 2022

**SINGLE ROBE HOOK**



**FRONT VIEW**

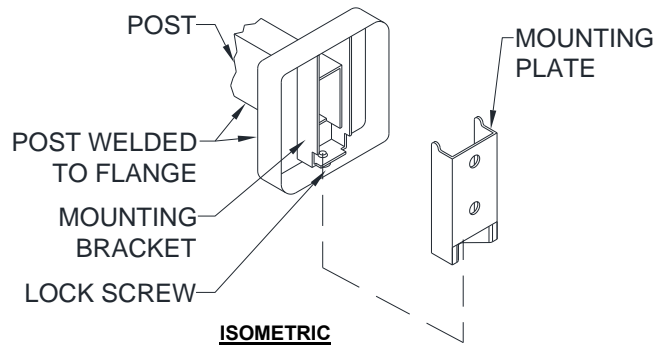
**SIDE VIEW**

**NOTE**

ALL DIM'S INCH [MM]

ILLUSTRATION FOR REF ONLY AND NTS

FOR CLEANING INSTRUCTIONS SEE  
 APPROPRIATE SECTIONS IN PRODUCT CARE &  
 MAINTENANCE BULLETIN (PCM) ON ASI WEBSITE



**SPECIFICATION**

Single Robe Hook shall be fabricated of stainless steel alloy 18-8, type 304. Post shall be 22 gage, 1/2" [13] x 1" [25] rectangular tubing with formed 22 gage mounting flange and bracket welded on end. Cap plate shall be 14 gage, 3/4" x 1-1/4" [19 x 32] with radiused corners and internally welded to outer end. Mounting plate shall be included and shall be 18 gage. A stainless steel set screw shall be provided on bottom perimeter of flange to lock unit to mounting plate. Surface finish shall be satin finish, bright finish or Powder Coated (PC) White/Matte Black finish as chosen by option and indicated by code suffix.

Single Robe Hook shall be Model № 7340-\_\_ (add -S for Satin Finish, -B for Bright Finish, -W for PC White or -41 for PC Matte Black Finish) of American Specialties, Inc., 441 Saw Mill River Road, Yonkers, NY 10701-4913

**INSTALLATION**

Surface mount unit on door back or wall using two (2) № 10 self-threading flat, oval or pan head screws (by others) through holes provided in mounting plate into suitable prepared mountings (by others) or other suitable mounting hardware (by others) to suit door or wall conditions. Hang post and flange assembly on mounting plate and tighten set screw to lock unit to plate. For compliance with 2010 ADA Accessibility Standards, 2015 ABA Standards and ANSI 117.1 Standards install unit with top of hook 48" [1219] Maximum Above Finished Floor.

**OPERATION**

Hook is suitable for a robe or clothing and small carry bags.