



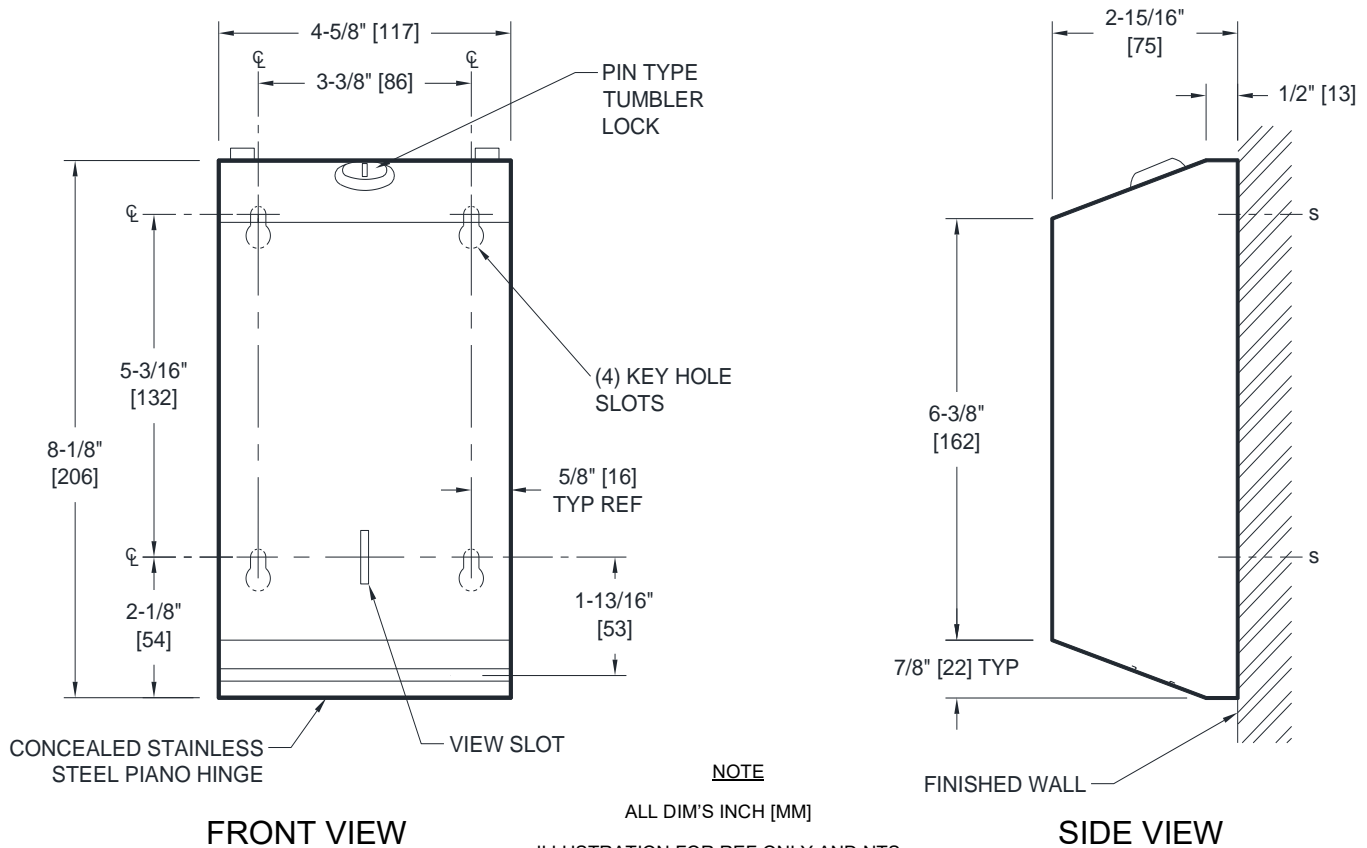
**AMERICAN SPECIALTIES, INC.**  
 441 Saw Mill River Road, Yonkers, NY 10701  
 (914) 476.9000 • (914) 476.0688  
 www.americanspecialties.com

**MODEL №:** 0262

**ISSUED:** 01-87

**REVISED:** 18 JUL 2019

## SURFACE MOUNTED TOILET TISSUE DISPENSER



FOR CLEANING INSTRUCTIONS SEE APPROPRIATE SECTIONS IN PRODUCT CARE & MAINTENANCE BULLETIN (PCM) ON ASI WEBSITE

### SPECIFICATION

Surface Mounted Toilet Tissue Dispenser shall hold and dispense 1300 standard double-fold or single-fold tissues and shall have door and cabinet of 22 gage [0,8] type 304 stainless steel alloy 18-8. Tissue dispensing slot shall have a fully deburred and rolled-in edge for snag-free dispensing and user safety. Door shall be attached to cabinet at bottom with a full length 3/16" Dia [4,8] stainless steel multi-staked piano hinge. Structural assembly of body and door components shall be of welded construction. Door shall be provided with a refill view indicator and be held closed with a tumbler lock keyed alike to other ASI Washroom Equipment. All exposed surfaces shall be satin finish and be protected during shipment with a PVC film easily removable after installation. Unit shall protect wall against accidental door drop damage by self-limiting body hinge construction. Dispenser shall allow simplified installation by hanging on pre-installed screw pattern (by others).

**Surface Mounted Toilet Tissue Dispenser shall be Model № 0262 as manufactured by American Specialties, Inc. 441 Saw Mill River Road Yonkers, New York 10701-4913**

### INSTALLATION

Unit is surface mounted on wall or partition using № 10 self-threading screws (by others) through keyhole mounting slots in back for ease in hanging unit on pre-installed screws. For compliance with 2010 ADA Accessibility Standards and 2015 ABA Standards install unit so that center line of dispenser is 7" [178] min to 9" [229] max in front of the toilet and outlet of dispenser is 15" [381] min AFF (Above Finished Floor) to 48" [1219] max AFF.

### OPERATION

Tissues are self-feeding on user-pull demand until supply is depleted. Unit may be reloaded with a partial load in place and will continue to feed properly. Low level of tissue supply is indicated from 25% capacity to approximately 5% level.