

TOTO® INSTALLATION MANUAL

Clean Dry™ High Speed Concealed Hand Dryer

Warranty Registration and Inquiry

For product warranty registration, TOTO U.S.A. Inc. recommends online Warranty Registration. Please visit our web site <http://www.totousa.com>. If you have questions regarding warranty policy or coverage, please contact TOTO U.S.A. Inc., Customer Service Department, 1155 Southern Road, Morrow, GA 30260 (888) 295 8134 or (678)466-1300 when calling from outside of U.S.A.

1 Important Safeguards

(For your safety, please follow the instructions below.)

In this Instruction Manual, the following symbols are shown for safe and proper use of the product and to alert you of the possibility of personal injury and damage to your property.

The symbols and their meanings are as follows:



Warning

Ignoring these symbols may cause personal injury and/or property damage.



Caution

Ignoring these symbols may cause severe injury and/or property damage.

*Some models may have different components from the ones illustrated below.

Warning



Do not

Do not install the unit in the places where corrosive or combustible gas can be present.

This may cause product failure or damage.



Do not disassemble

Never attempt to disassemble for repair or modification.

This may cause electric shock, fire, injury or failure



Do not use in humid area

Do not install outdoors or where it is exposed to water.

This may cause current leakage, electric shock, fire, or failure.

Warning



Important

It is necessary to install a circuit-breaker in the power supply. Failure to do this may cause electric shock during overload or short circuit.

Caution



Important

The chassis assembly must be installed on a smooth and even wall surface which has enough strength. Failure to do this may cause damage or personal injury if it falls down.

2 Specification

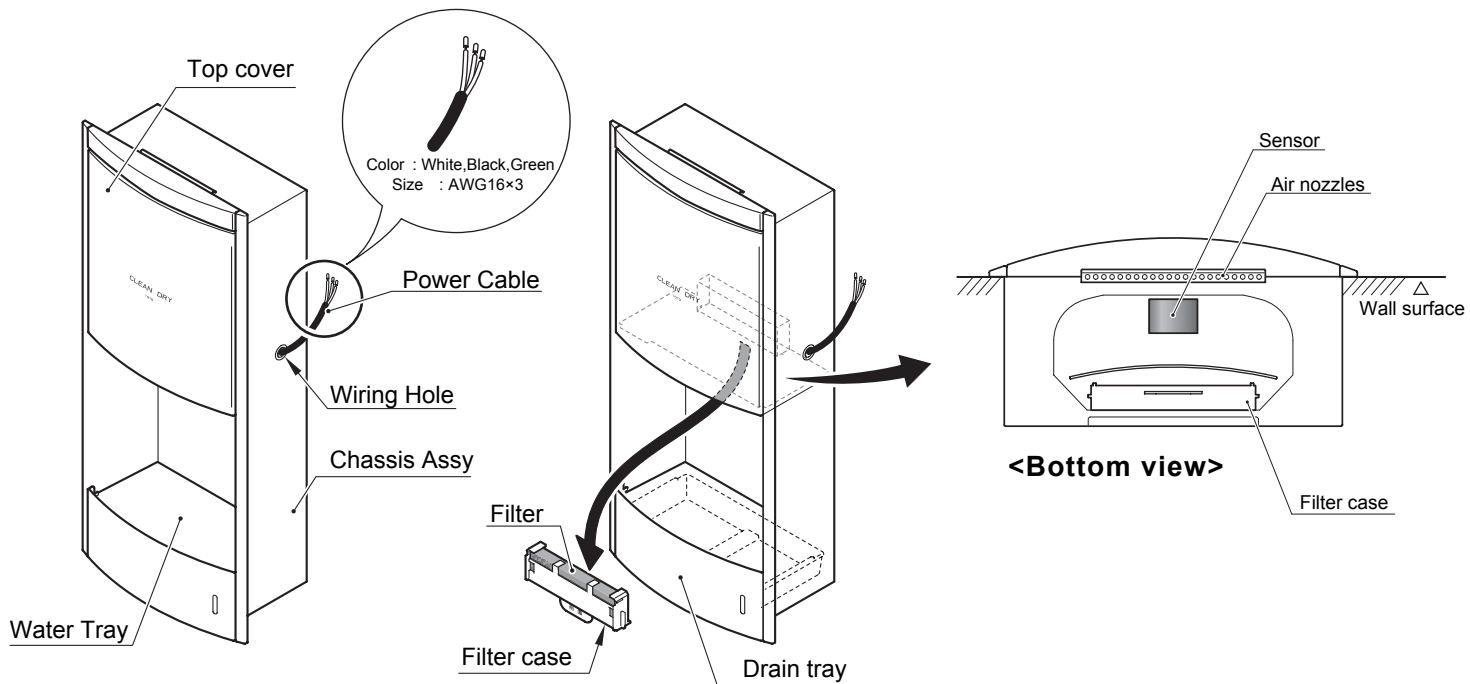
Product	HDR110#SS
Power Rating	120V AC, 4.25 Amps, 60 Hz, 510 W
Power Connection	Hardwiring
Power Saving Function	Automatically turns OFF after 60 seconds of use
Decibel Rating	58 dB
Air Speed	224 mph (100 meters/second)
Dry Time	12 seconds
Drain Tray Capacity	0.27 gal (950 ml)
Ambient temperature	32° - 104°F (0° - 40°C)
Size	9-5/8" x 18-1/2" x 6-5/16"
Weight	22.2 lbs (10kg)

5

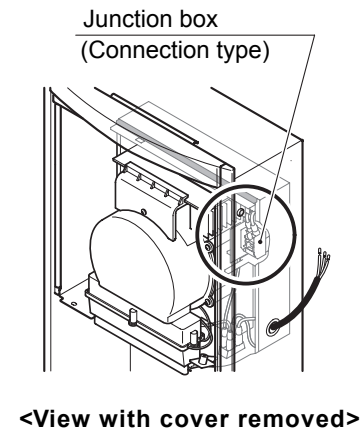
Installation

*Some models may have different component as illustrated below.

Hand Dryer Unit



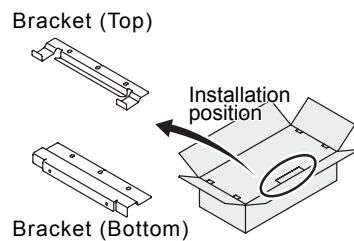
w/o Top Cover



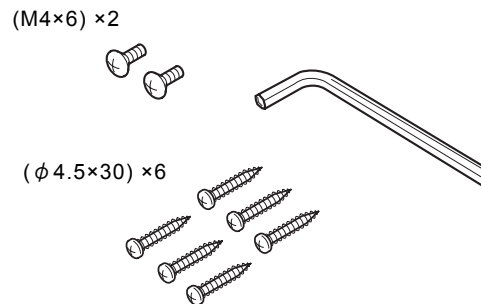
Accessories

※ Model is subject to change without further notification.

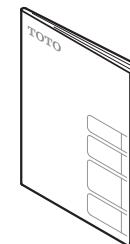
Mounting Bracket



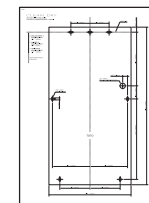
Screws and Vandal Resist Hex Wrench



Installation Manual



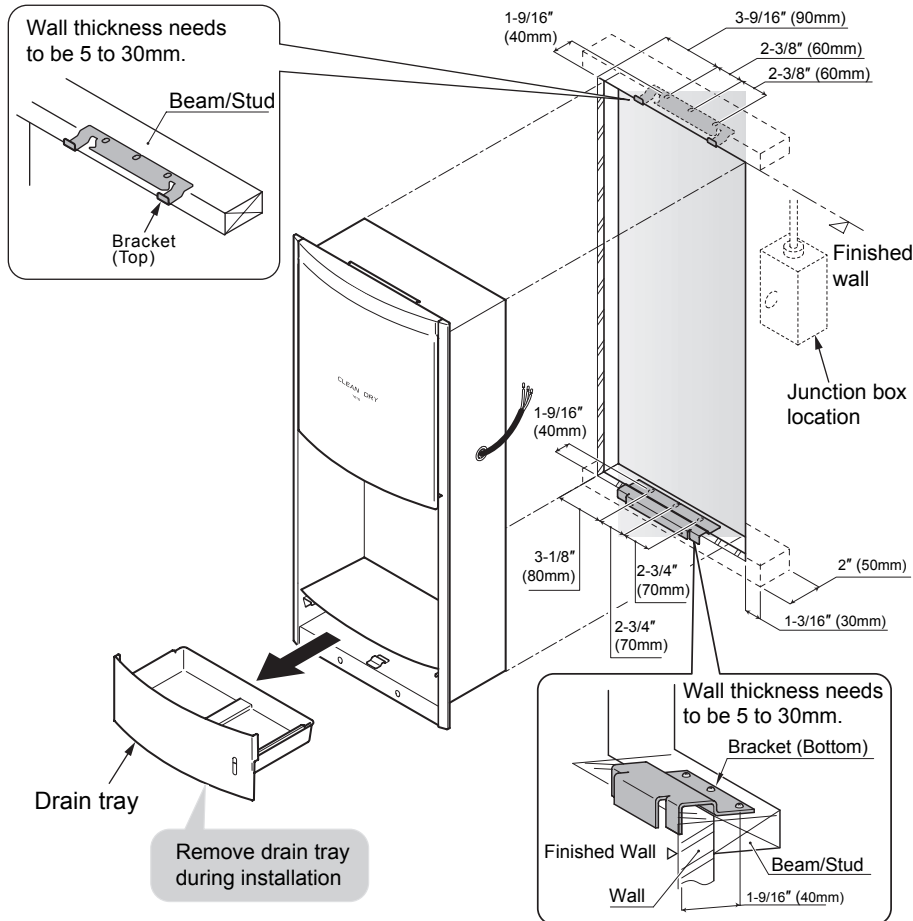
Template



6

Installation Procedure STEP 1

- 1** Using template provided, mark the wall for locations and install the mounting bracket.



- 2** Complete the electrical wiring; install the junction box, and connect the power cord using wire nuts.
- 3** Mount the chassis assembly and drain tray assembly
- 4** Install the top cover and drain tray

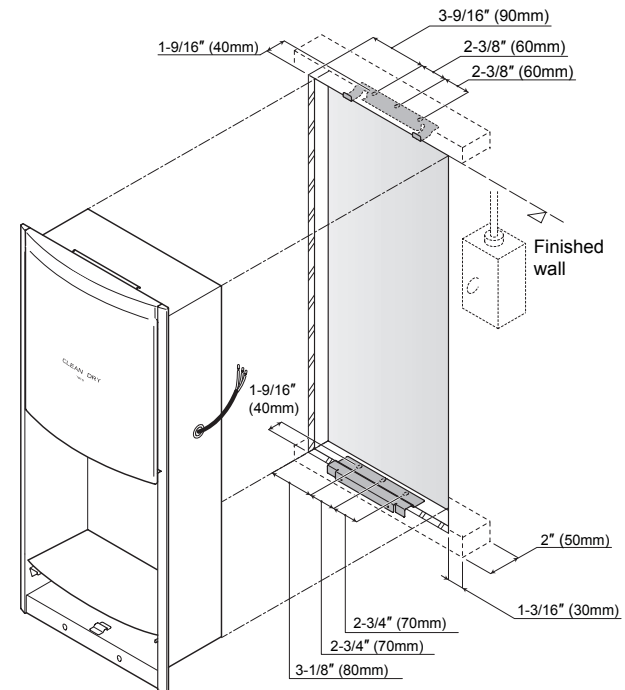
- STEP 1** Mark the wall with template and install the bracket



Caution

Chassis Assy. must be installed on a rigid and even surface
Failure to do this may cause damage or personal injury when it falls.

- Attach the bracket firmly on the rigid wall with the three screws (φ4.5×30) provided.
- In the case of a tile or concrete wall, please use plastic plug anchors with screws provided.

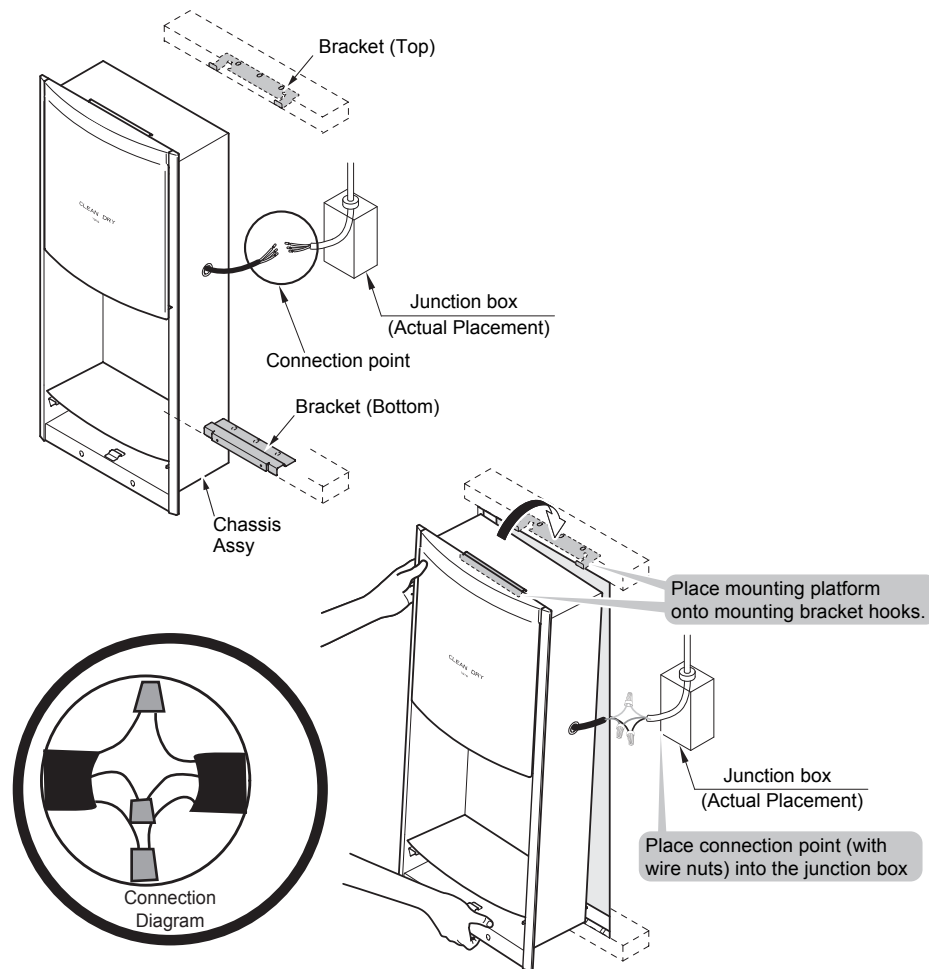


- * Recommended mounting bracket heights from floor are as follow:
- Male/Female: 29-1/2" (750 mm)
 - Children: 23-1/2" (598 mm)
 - Handicapped: 21-1/2" (547 mm)

To be continued on the back →

STEP 2 Complete the electrical wiring

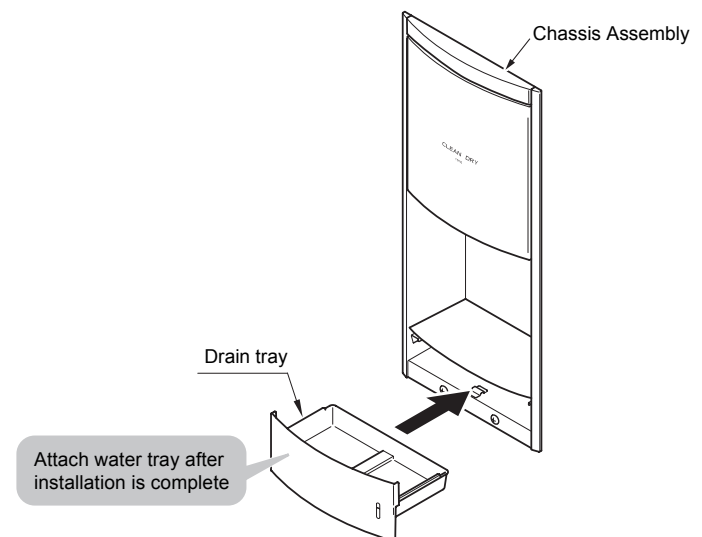
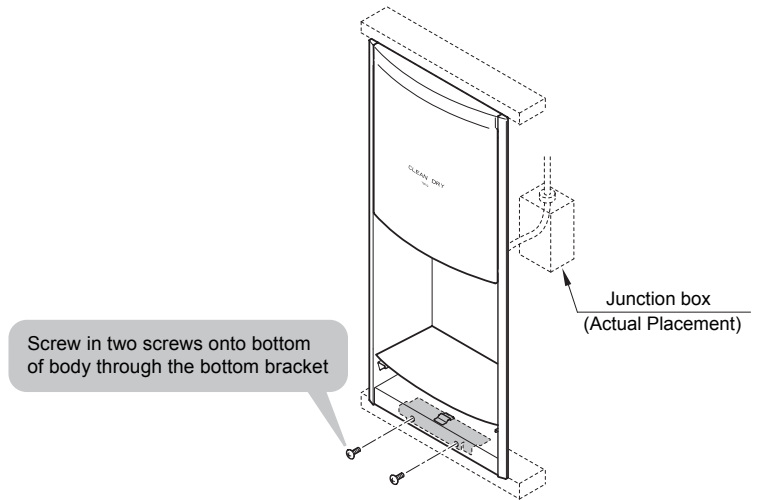
- Place chassis assembly onto the bottom bracket.
- Using wire nuts, connect power cable from hand dryer to power supply in the junction box (confirm with certified electrician on correct wire nuts to use).
- Place connection point (with wire nuts) into the junction box.
- Hang chassis assembly onto the top bracket.



※Connect the cord firmly with a wire nut or equivalent.

STEP 3 Mount the Chassis Assembly and Drain Tray Assembly

- Make sure all electrical wiring is placed away inside the junction box.
- Use 2 screws (M4) that come with the product and tighten unit to the bottom bracket.



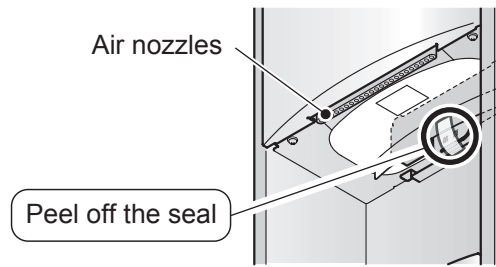
7

Function Test

1. Checking after installation

- Test the product as follows after the installation is complete.

- First peel off the seal on the filter.
(The seal is used to protect the filter from scratches during shipment; it is no longer needed.)



1. Check the circuit breaker

- Turn the circuit breaker ON.

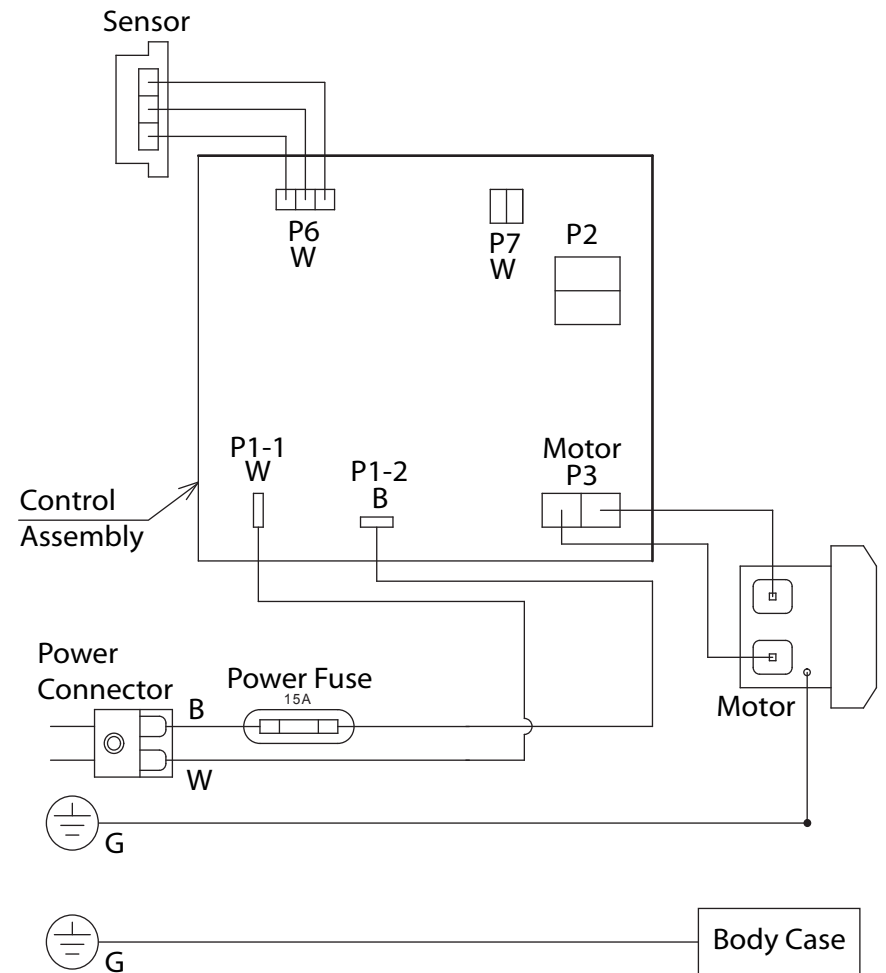
2. Check the functionality

- Place your hand under the outlet nozzles to see if air blows out.

- After trial run

- After you check the functionality by trial run, give the user manual (with warranty) to the customer, and explain how to use and maintain the product.

Wiring Diagram



B=BLACK
R=RED
W=WHITE
Bu=BLUE
G=GREEN