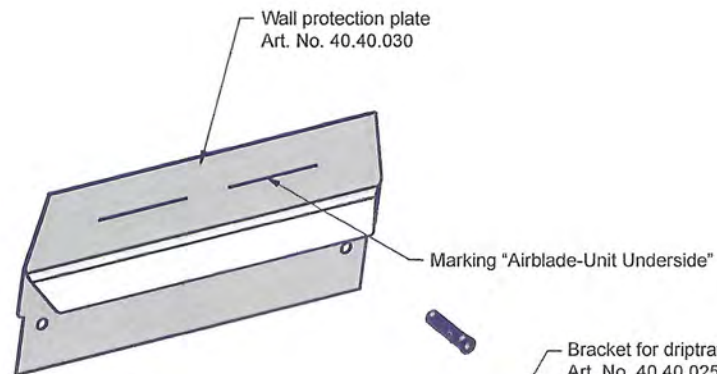
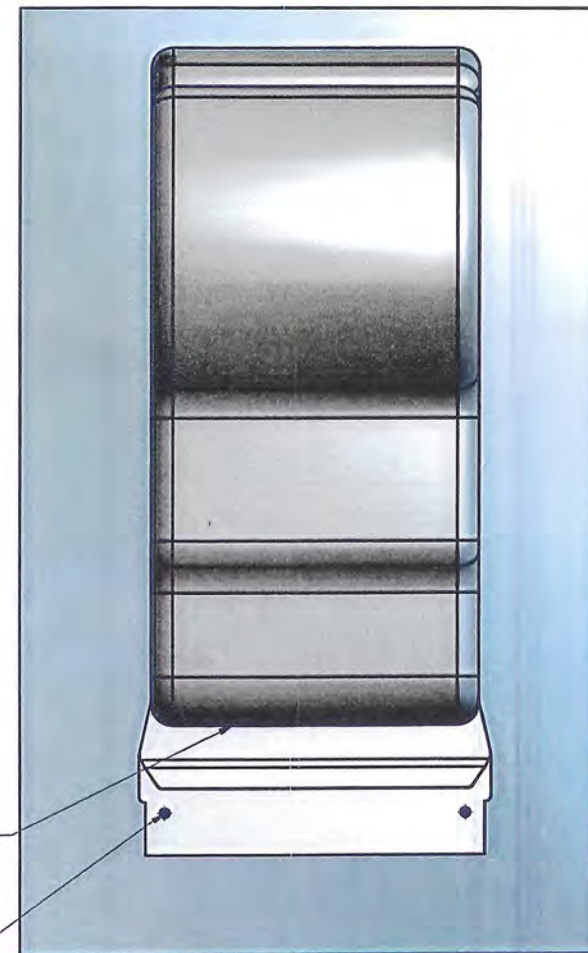
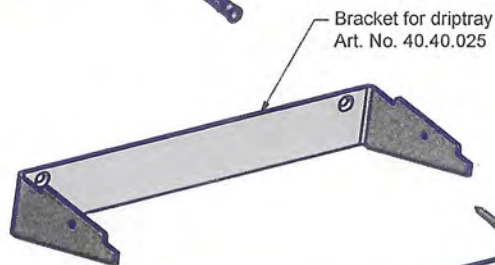


## Assembly Instructions for Driptray with Wall Protection:

1. Mount the Airblade to Dyson instructions.  
Do not tighten the two lower screws.
2. Slide the wall protection plate from below ear and centre it. Secure Airblade.
3. Thus the wall protection plate serves as a drilling template for the driptray bracket.
4. Drill 2-holes Ø8 x 55 deep.
5. Fix the bracket with the two countersunk screws and push in the driptray.

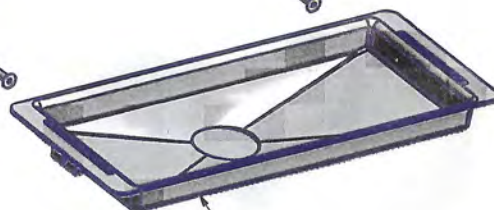


Hilti universal rawlplug (2x)  
Art. No. 93.99.231

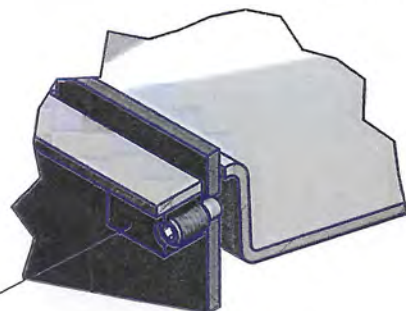


Threaded pin (2x)  
M6 x 12, A2  
Art. No. 93.99.060

Countersunk screw (2x)  
Ø6 x 40 mm long; A2  
Art. No. 93.99.050



Driptray for Airblade  
Art. No. 61.41.260.01 colour: white RAL 9016  
Art. No. 61.41.261.01 colour: silver-grey



Security block with  
hexagon socket SW 3 mm



WWW.RESTROOMDIRECT.COM 704-937-2673 129 Oak Park Dr., Unit A, Mooresville, NC 28115

The designs depicted and the nomenclature are the property of SCHÖNMANN AG, Haustechnische Apparate, 8154 Oberglatt ZH. All reproductions and copying of the illustrations, designs or drawings is not allowed under Swiss or international law.

CHANGES:

Dyson Airblade Accessories

### Driptray Assembly Set

with wall protection plate

SCALE			
DRAWN	WRY		28.11.2011
CHECKED			
SEEN			

**S** SCHÖNMANN AG  
Im Vorderasp 4  
CH-8154 Oberglatt ZH

SAG 1035

SHEET

1