



**HAND DRYER  
SANIFLOW®**

**SANIFLOW PUSH-BUTTON OPERATED  
WHITE ENAMELLED COATING**

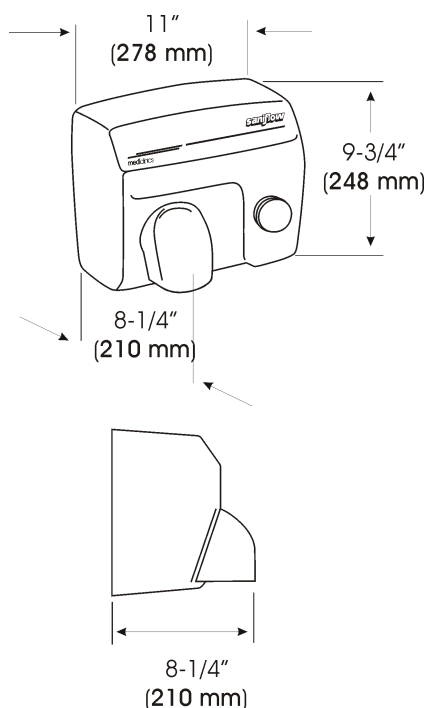
**Code: E88**

**General Description**

- Warm air hand dryer.
- Push-button operated.
- Maximum robustness and power.
- Vandal-proof.
- Suitable for very high traffic facilities.
- It normally goes along with a soap dispenser.

**Components & Materials**

- Steel one-piece cover with white porcelain enamelled coating 5/64" (1,9 mm) thick. Cover fixed to the base by means of 2 vandal-proof lock screws and lock with special saniflow® key wrench.
- Base in aluminum, 1/8" (3 mm) thick, with 4 Ø 5/16" (8 mm) holes for wall mounting.
- Fire resistant plastic UL 94-VO fan scroll.
- Motor, universal, 5,500 rpm, B class, included a 4 A fuse with sealed and self-lubricated ball bearings.
- Aluminum centrifugal turbine with double symmetrical inlet.
- Waved wire NiCr heating element that incorporates a safety thermostat.
- Nozzle in chrome plated zamak, 22 µ thick.
- Push -button in chrome plated zamak, 22 µ thick that activates an electromechanical timer with a 34 seconds cycle.



Dim ± 4%

**Technical Specifications**

|                   |                           |   |         |
|-------------------|---------------------------|---|---------|
| Voltage           | 110-120 V                 | Total power                             | 1,850 W |
| Frequency         | 50/ 60 Hz                 | Motor power                             | 1/3 HP  |
| Insulation        | Grounding required        | Heating element power                   | 1,600   |
| Dimensions        | 11"W x 9-3/4"H x 8-1/4" D | Consumption                             | 16 A    |
| Weight            | 14.33 Lbs.                | r.p.m.                                  | 5,500   |
| Effective airflow | 203 CFM                   | Air temperature (at 4" distance/ 70 °F) | 128 °F  |
| Nominal airflow   | 290 CFM                   | Drying time                             | 29 sec  |
| Air velocity      | 5,512 LFM                 | Noise level (at 79")                    | 70 dB   |

**Operation**

Press the Push-button to initiate the drying process. The dryer will go on with no interruption for 34 seconds.

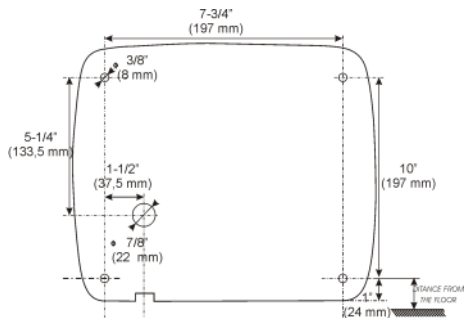
**Installation**

Screws are included. Please refer to [Back](#)

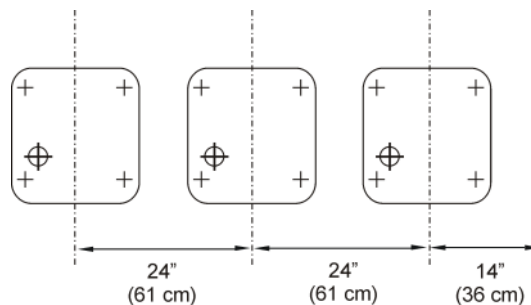
**Certificates & Qualifications**

UL comply with UL499 norm.

## MOUNTING



## SERIAL MOUNTING



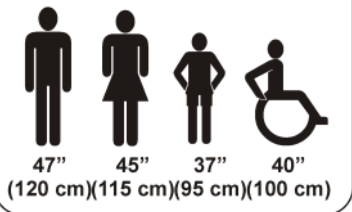
### Nº dryers to be fitted

In toilet areas with a normal frequency of use and only one wash-basin: 1 dryer.  
 In toilet areas with a normal frequency of use and more than one wash-basin: 1 dryer for each 2 wash-basins.  
 1 row of 4 wash basins: 2 dryers; 1 row of 6 wash basins: 3 dryers; 1 row of 8 wash basins: 4 dryers.  
 In toilet areas with high traffic and more than one wash-basin: 2 dryers for each 3 wash-basins.  
 1 row of 4 wash basins: 3 dryers; 1 row of 6 wash basins: 4 dryers; 1 row of 8 wash basins: 5 dryers.

### Ideal location

Between the wash-basin and exit. It is not recommended to install dryer between wash-basins, next to urinals, lavatories and showers. If installing automatic dryers over marble surface or ledge, the minimum distance from the dryer to the ledge must be 15-3/4. It is recommended that hand dryers be distributed throughout the washroom area to avoid overcrowding.

H = Distancia al suelo  
 H = Distance from floor  
 H = Hauteur par rapport au sol  
 H = Abstand vom Boden



## RECOMENDED HEIGHTS DISTANCE FROM THE FLOOR

### Specification

Surface mounted vandal resistant hand dryer shall be fabricated with one-piece 5/64" thick metal sheet cover, with glazed porcelain coated. The back base shall be aluminum, 1/8" thick and with 4 holes for wall mounting. Cover shall be equipped with a chromed-plated revolving 360° nozzle for hand and face drying. The dryer shall be activated using the chrome-plated zamak 22 μ thick Push-button, that activates an electromechanical timer with a 34 second cycle before switching dryer off automatically. Motor shall be 1/3 hp, 5,500 r.p.m. , universal type, with a 4A fuse with sealed, self- lubricated ball bearing; The waved wire NiCr heating element should incorporate a thermal limiter which will switch off by a temperature of 176 °F (80°C). The fan should be an aluminum centrifugal turbine with double symmetrical inlet, and the fan scroll shall be made of a fire resistant plastic UL 94-V0. Dryer shall deliver 290 CFM of air at 128 °F (53 °C) and 5,512 LFM velocity during user controlled drying cycle. The dryer shall have a total power of 1,850 W with a consumption 16A. Noise level should be 70 dB. Overall dimensions shall be 11"W x 9-3/4"H x 8-1/4"D. Unit shall be UL listed, and /or VDE approved and CE marked.

Surface-Mounted Hand Dryer shall be Model E88 of Saniflow Corporation, 2655 Le Jeune Road Suite 810, Coral Gables, FL. 33134

**Saniflow Corp reserves the right to make changes and/or modifications to the products and their specifications without warning or notice.**