

**SANIFLOW SENSOR OPERATED
WHITE ENAMELLED COATING**

Code: E88A

General Description

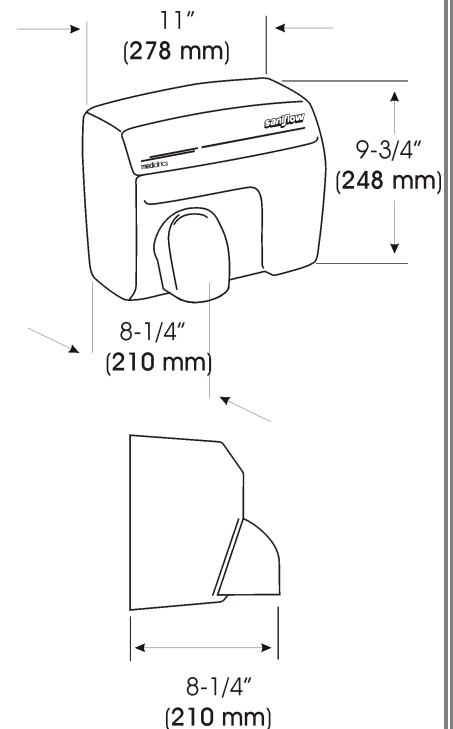
- Warm air hand dryer.
- Sensor operated.
- Maximum robustness and power.
- Vandal-proof.
- Suitable for very high traffic facilities.
- It normally goes along with a soap dispenser.

Components & Materials

- Steel one-piece cover with white porcelain enamelled coating 5/64" (1,9 mm) thick. Cover fixed to the base by means of 2 vandal-proof lock screws and lock with special saniflow® key wrench.
- Base in aluminum, 1/8" (3 mm) thick, with 4 Ø 5/16" (8 mm) holes for wall mounting.
- Fire resistant plastic UL 94-VO fan scroll.
- Motor, universal, 5,500 rpm, B class, included a 4 A fuse with sealed and self-lubricated ball bearings.
- Aluminum centrifugal turbine with double symmetrical inlet.
- Waved wire NiCr heating element that incorporates a safety thermostat.
- Nozzle in chrome plated zamak, 22 µ thick.
- Adjustable (6-10") IR electronic detection sensor.

Technical Specifications

Voltage	110-120 V	Total power	1,850 W
Frequency	50/ 60 Hz	Motor power	1/3 HP
Insulation	Grounding required	Heating element power	1,600
Dimensions	11"W x 9-3/4"H x 8-1/4" D	Consumption	16 A
Weight	14.33 Lbs.	r.p.m.	5,500
Effective airflow	203 CFM	Air temperature (at 4" distance/ 70 °F)	128 °F
Nominal airflow	290 CFM	Drying time	29 sec
Air velocity	5,512 LFM	Noise level (at 79")	70 dB



Dim ± 4%

Operation

Place the hands under the nozzle. The dryer will start automatically, and go on with no interruption as long as the hands are kept in the detection range of the sensor. The appliance will stop 2 seconds after the hands are removed from the airflow.

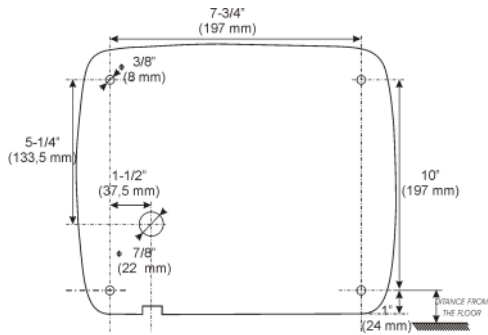
Installation

Screws are included. Please refer to [Back](#)

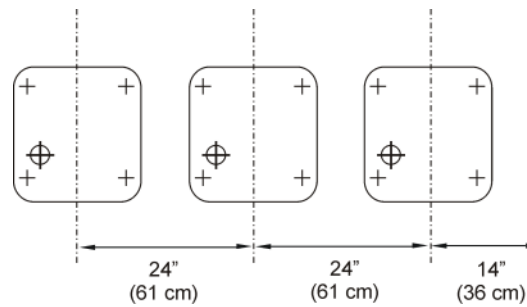
Certificates & Qualifications

UL comply with UL499 norm.

MOUNTING



SERIAL MOUNTING



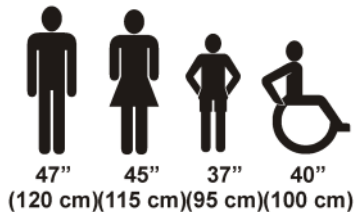
Nº dryers to be fitted

In toilet areas with a normal frequency of use and only one wash-basin: 1 dryer.
 In toilet areas with a normal frequency of use and more than one wash-basin: 1 dryer for each 2 wash-basins.
 1 row of 4 wash basins: 2 dryers; 1 row of 6 wash basins: 3 dryers; 1 row of 8 wash basins: 4 dryers.
 In toilet areas with high traffic and more than one wash-basin: 2 dryers for each 3 wash-basins.
 1 row of 4 wash basins: 3 dryers; 1 row of 6 wash basins: 4 dryers; 1 row of 8 wash basins: 5 dryers.

Ideal location

Between the wash-basin and exit. It is not recommended to install dryer between wash-basins, next to urinals, lavatories and showers. If installing automatic dryers over marble surface or ledge, the minimum distance from the dryer to the ledge must be 15-3/4. It is recommended that hand dryers be distributed throughout the washroom area to avoid overcrowding.

H = Distancia al suelo
 H = Distance from floor
 H = Hauteur par rapport au sol
 H = Abstand vom Boden



RECOMENDED HEIGHTS DISTANCE FROM THE FLOOR

Specification

Surface mounted vandal resistant hand dryer shall be fabricated with one-piece 5/64" thick metal sheet cover, with glazed porcelain coated. The back base shall be aluminum, 1/8" thick and with 4 holes for wall mounting. Cover shall be equipped with a chrome-plated 360° revolving nozzle for hand and face drying. The dryer shall be activated through an infrared electronic sensor and shall automatically turn off when hands are removed. Motor shall be 1/3 hp, 5,500 r.p.m. , universal type, with a 4A fuse with sealed, self- lubricated ball bearing; The waved wire NiCr heating element should incorporate a thermal limiter which will switch off by a temperature of 176 °F (80°C). The fan should be an aluminum centrifugal turbine with double symmetrical inlet, and the fan scroll shall be made of a fire resistant plastic UL 94-V0. Dryer shall deliver 290 CFM of air at 128 °F (53 °C) and 5,512 LFM velocity during user controlled drying cycle. The dryer shall have a total power of 1,850 W with a consumption 16A. Noise level should be 70 dB. Overall dimensions shall be 11"W x 9-3/4"H x 8-1/4"D. Unit shall be UL listed, and /or VDE approved and CE marked.

Surface-Mounted Hand Dryer shall be Model E88A of Saniflow Corporation, 2655 Le Jeune Road Suite 810, Coral Gables, FL. 33134

Saniflow Corp reserves the right to make changes and/or modifications to the products and their specifications without warning or notice.

Revision 04-2004

© SANIFLOW Corp.