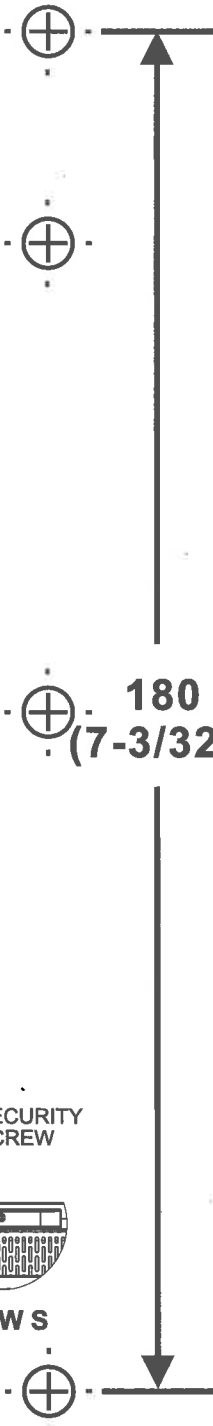
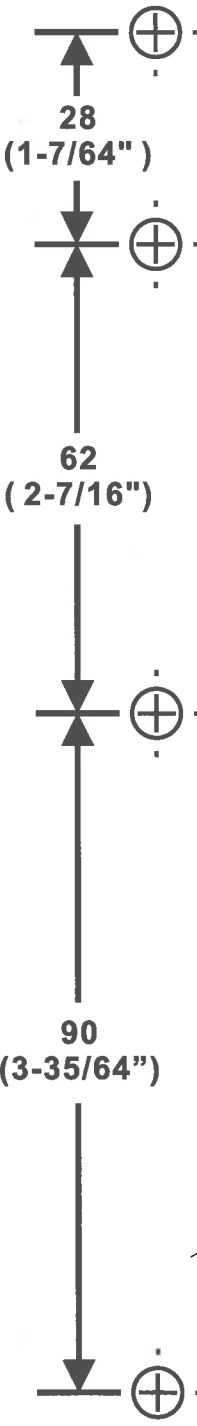


TAPE THIS SHEET TO WALL FOR HOLES LOCATION

154
(6-1/8")

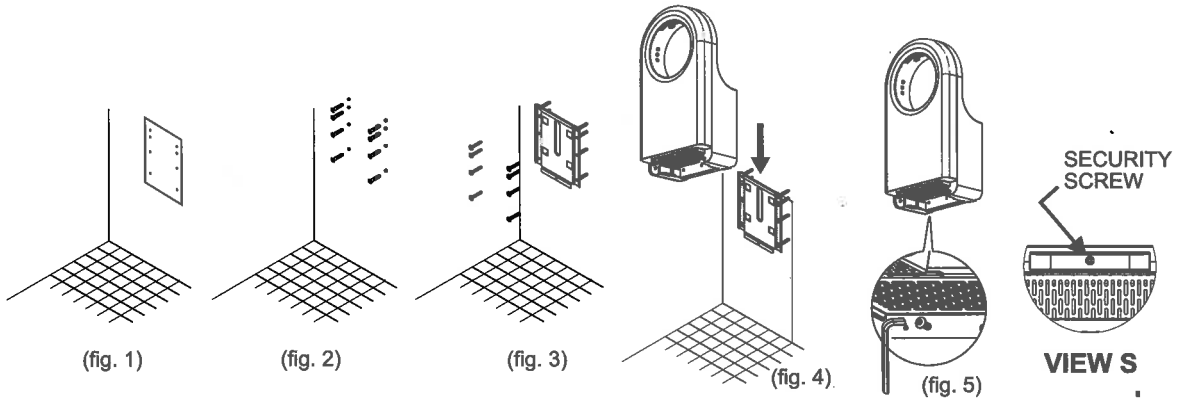
Installation



1. Place template against wall at desired height (see mounting height recommendations) and mark locations of eight (8) mounting holes and wire service entry at knockout (KO) location.
2. Use L-Key (supplied) to unlock security hex socket screw and withdraw filter access drawer.
3. a. Drill eight (8) holes at locations marked of $\varnothing 9/32$ " ($\varnothing 7$) x 1-3/8" (35) deep if using wall anchors supplied with unit (fig.1)
 b. Remove template and Insert eight (8) plastic anchors (supplied) into drilled holes (fig. 2). Install supplied anchors flush with wall face, or install other fastening system suitable for wall conditions (not supplied).
- c. Attach base plate to wall by inserting eight (8) screws (supplied) to fix backplate into plastic anchors (fig. 3). For wood wall/studs use $\varnothing 1/4$ inch (M6) screws at length that will ensure 1 inch (25) min. stud penetration. For masonry walls use expansion bolts or anchors for $\varnothing 1/4$ inch (M6) screws to ensure penetration 1/4 inch (6) deeper than anchor. Shim if necessary to ensure base plate is flat against wall.
4. a. Hang the dryer on the base plate (fig. 4).
 b. For Surface Mounted Conduit (exposed) power supply or using power cord (supplied) - Provide appropriate conduit to entry location according to local code and attach securely to chassis with correct strain relief connector (not supplied).
 c. For in-wall (concealed) power supply - Provide supply wire to KO location according to local code and attach securely to chassis at KO with strain relief connector (supplied).
- d. Install locking screw (supplied) into wall plate through the hole at backplate center bottom. (fig. 5)
5. a. Connect hard wired power provided at KO location to terminal block behind cover panel (RH-bottom) behind filter drawer. Turn on circuit breaker to initiate 'stand by- ready to operate' status.

Connections:

- A. Connect the live wire (colored Brown, Red or Black) to the terminal block marked "L".
 - B. Connect the neutral wire (colored Black, Blue, White or Grey) or connect the second live wire (colored Red or Orange) to the terminal block marked "N".
 - C. Connect the ground wire to the terminal block marked "⊕". Bare grounding (earth) wires should be sleeved with green and yellow or green tubing. Colors of live and neutral wires depend on voltage of supply service and requirements of Building and Electrical Code having jurisdiction.
- b. Connect power cord to initiate 'stand by- ready to operate' status.
6. Replace the filter access drawer, being careful to not over-tighten the security screw.



Datum point

Datum point

B