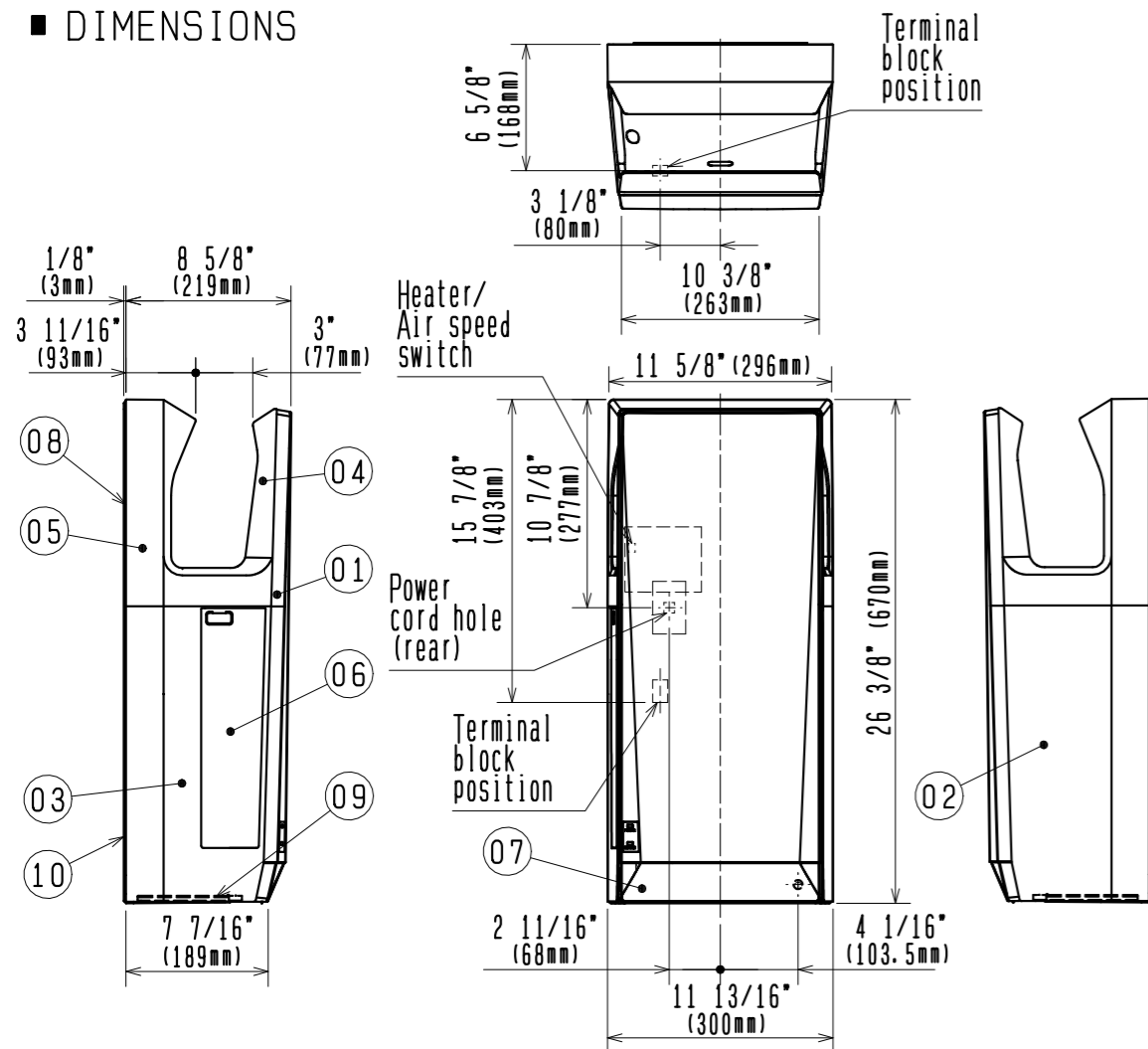


■ DIMENSIONS



■ EXTERIOR MATERIALS

No.	PARTS	MATERIALS	COLOR (MUNSELL)	
			-W	-S
01	FRONT PANEL	ABS RESIN	WHITE (7.1B:HUE 9.2:BRIGHTNESS 0.2:CHROMA)	DARK GRAY (1.7PB:HUE 2 :BRIGHTNESS 0.38:CHROMA)
02	SIDE PANEL-R	ABS RESIN		
03	SIDE PANEL-L	ABS RESIN		
04	PANEL-FRONT	ABS RESIN		
05	PANEL-BACK	ABS RESIN		
06	SIDE COVER	ABS RESIN		
07	DRAIN TANK	ABS RESIN		
08	BASE	PP RESIN	BLACK	
09	AIR FILTER	PP RESIN	BLACK	
10	BACK PANEL	STEEL	GRAY	

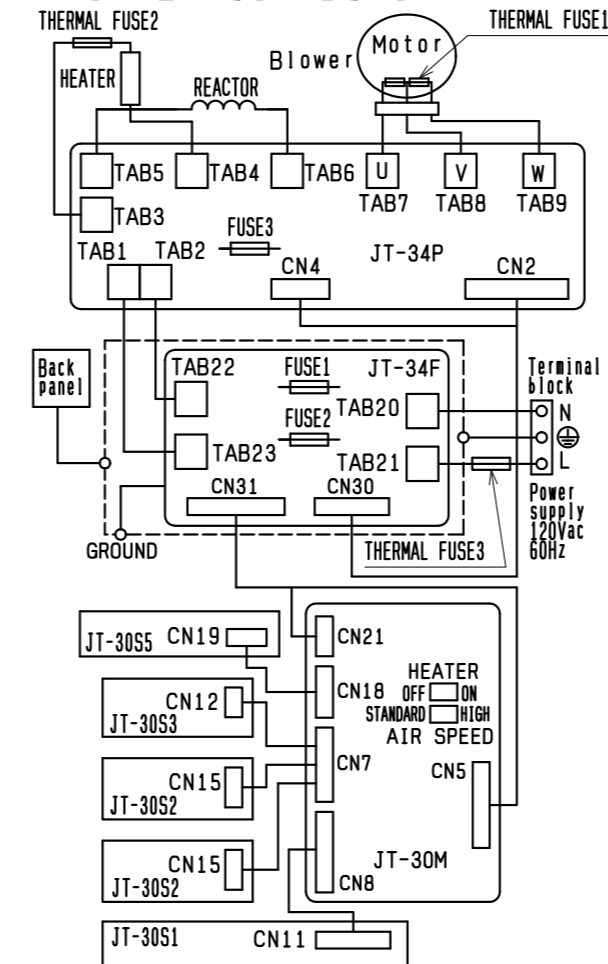
■ SPECIFICATIONS

MODEL	RATED VOLTAGE (Vac)	RATED FREQUENCY (Hz)	RATED CURRENT (A)	AIR SPEED SETTING	POWER CONSUMPTION (W)		AIR SPEED (mph)	NOISE (dB (A))	WEIGHT	DRAIN TANK CAPACITY
					HEATER ON	HEATER OFF				
JT-SB116JH2-W-NA	120	60	11.4	HIGH	1,250	730	235	59	26.5lb. (12kg)	1.7pt. (0.8l)
JT-SB116JH2-S-NA				STANDARD	1,090	570	215	56		

MOTOR TYPE	BRUSHLESS MOTOR (4POLE)	SAFETY MEASURES	THERMAL FUSES AND OVER CURRENT FUSES
DIELECTRIC STRENGTH	1,000Vac FOR 1 MINUTE	INSULATION RESISTANCE	10MΩ OR MORE (MEASURED BY DC500V MEGGER)

- Air speed is calculated from the static pressure measured by the pitot tube. (at the nozzle)
- Noise is the A range value measured in an anechoic room. (Average as 3 points, 78 3/4" (2000mm) from the front and both sides)
- The heater is turned off automatically when ambient temperature is 86° F (30°C) 30°C or more.
- Compliance: Conforms to ANSI/UL Std. UL499 and Certified to CAN/CSA Standard C22.2 No. 36
Conforms to NSF/ANSI Standard 169.

■ CONNECTION DIAGRAM



Fuse 1	250V 25A
Fuse 2	250V 25A
Fuse 3	250V 3.15A
Thermal Fuse 1	121°C (OPEN)
Thermal Fuse 2	94°C (OPEN)
Thermal Fuse 3	94°C (OPEN)

■ CERTIFICATIONS



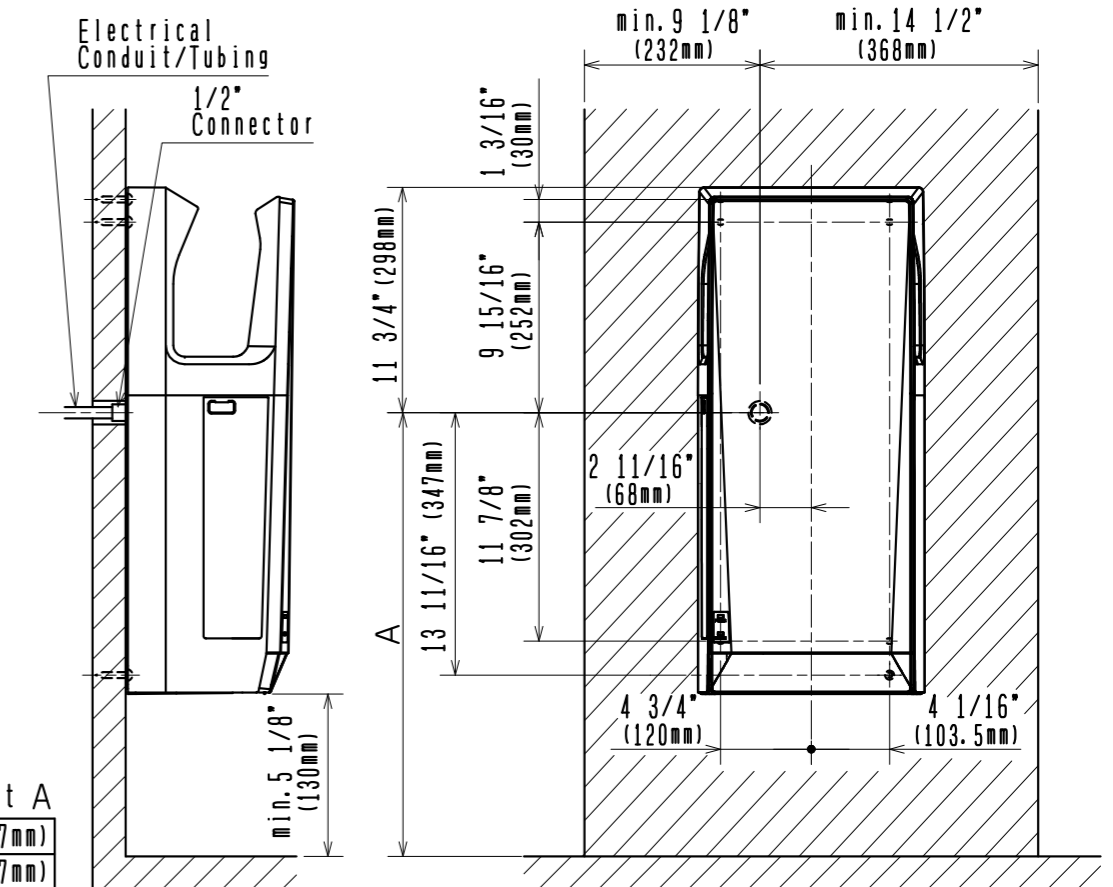
*Recommended height A

Men	24 5/8" (627mm)
Women	23 7/8" (607mm)

■ INSTALLATION PRECAUTIONS

1. Read the installation manual thoroughly before beginning installation to ensure the unit is installed safely and correctly.
2. This hand dryer must have its own independent branch circuit using AWG #12 or #14 copper wire.
3. The circuit should be equipped with a Ground Fault Interrupter and a 120vac 20 amp circuit breaker for AWG #12 wire, or a 120Vac 15 amp circuit breaker for AWG #14 wire.
4. This hand dryer should be properly grounded.
5. Do not install in the following types of location.
 - Outdoors
 - Where the temperature could be lower than 50° F (10°C) or higher than 104° F (40°C).
 - Where the humidity could be lower than 5%RH or higher than 95%RH.
 - Where there is a lot of dust or condensation.
 - Where salt damage could occur.
 - Vehicles (incl. ships, trains, airplanes)
 - Where there corrosive, neutral, or reductive gases are present.
 - Where there are food, tableware, etc nearby because water may splash.
 - Where the appliance may come into direct contact with water.
 - Where the appliance is direct sunlight or strong light. (May cause the sensors to malfunction)
 - Near a bathtubs, shower or a swimming pool.
 - Kitchens (Where there is a risk of water splashing)

Surface should be vertical, smooth and flat.



*Specifications may be subject to change without notice.

APPROVED		DRAWN	
M. Fukano		Shigeki.Nishimura	
	SCALE : NTS	PRODUCT: MITSUBISHI HAND DRYER	
	UNIT : Inches (mm)	MODEL : JT-SB116JH2-W/S-NA	
	DATE : JUN. 17. 2016	DWG. No. : NL116002 A	