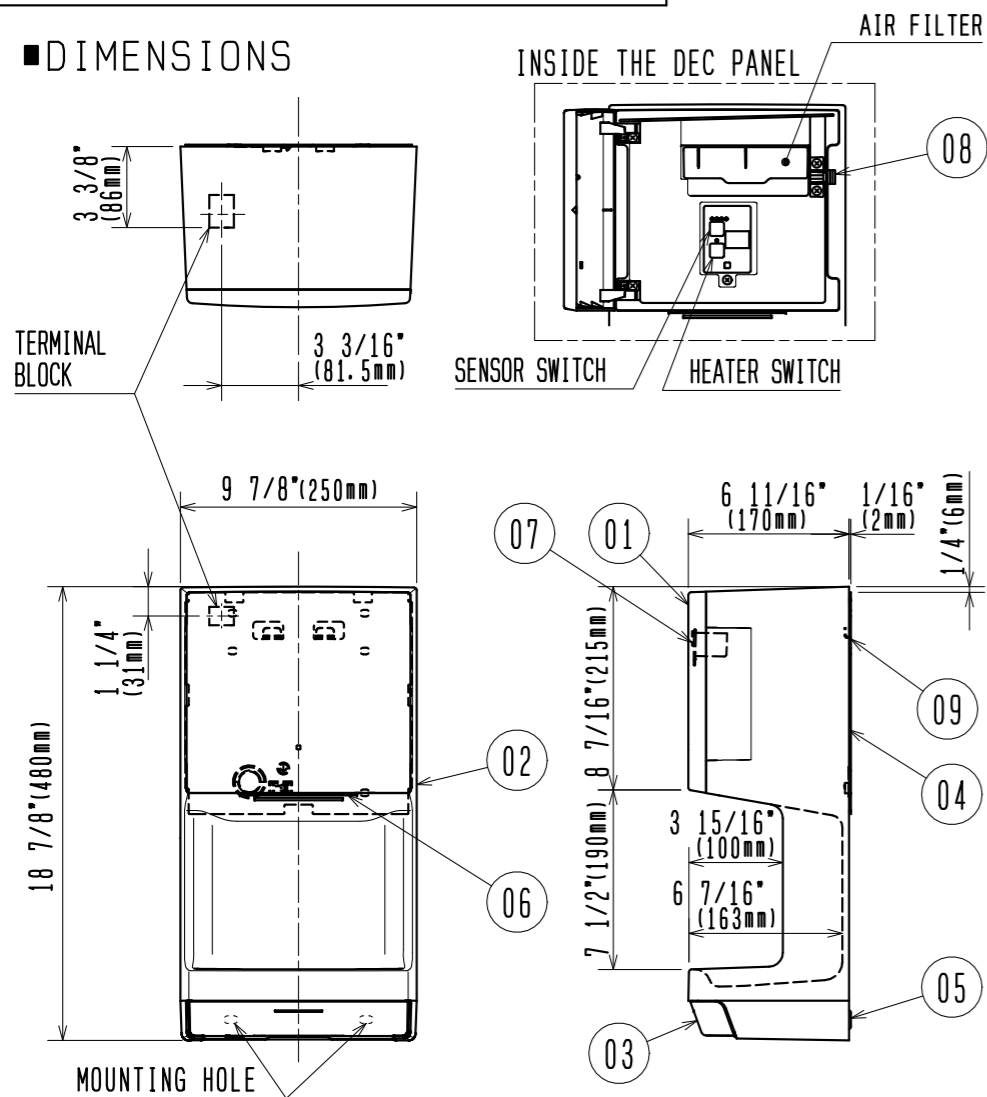


# MITSUBISHI HAND DRYER

\*Specifications may be subject to change without notice.

## ■ DIMENSIONS



## ■ EXTERIOR MATERIALS

No.	PARTS	MATERIALS	COLOR (MUNSELL)
01	DEC PANEL	ABS RESIN	WHITE (7.1B:HUE, 9.2:BRIGHTNESS, 0.2:CHROMA)
02	FRONT PANEL	ABS RESIN	
03	DRAIN TANK	PP RESIN	SEMITRANSSPARENT
04	BASE UPPER	PP RESIN	GRAY
05	BASE LOWER	PP RESIN	BLACK
06	NOZZLE	PBT RESIN	WHITE
07	AIR FILTER	PP RESIN	BLACK
08	LOCKING TAB	POM RESIN	WHITE
09	INSTALLATION PANEL	STEEL (1.2mm THICKNESS)	

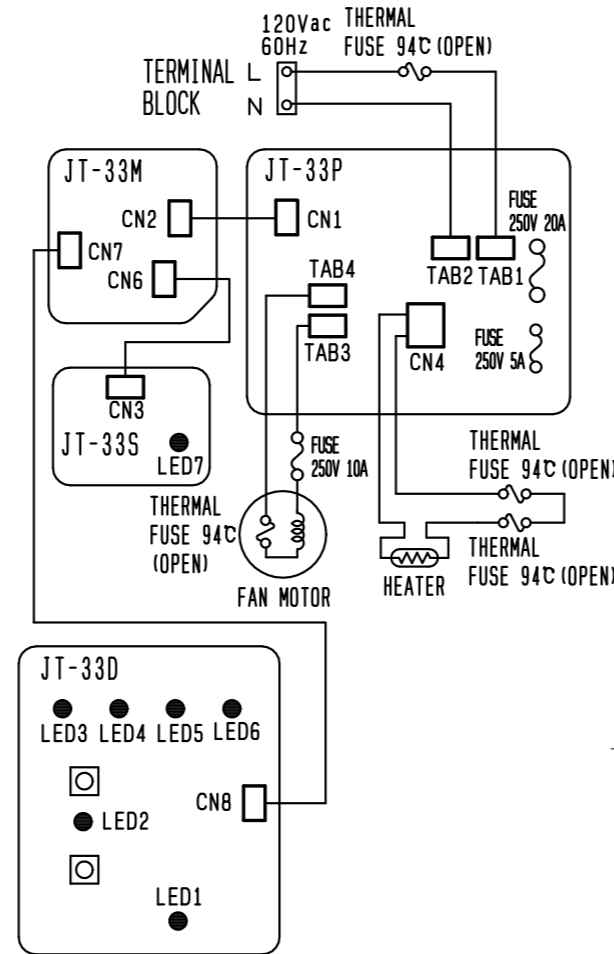
## ■ SPECIFICATIONS

MODEL	RATED VOLTAGE (Vac)	RATED FREQUENCY (Hz)	RATED CURRENT (A)	POWER CONSUMPTION (W)		AIR SPEED	SOUND (dB (A))	WEIGHT	DRAIN TANK CAPACITY
				HEATER ON	HEATER OFF				
JT-MC106G-W-NA	120	60	7.6	890	600	355mph (150m/s)	64	11.5lb (5.2kg)	1.3pt. (0.6l)

MOTOR TYPE	COMMUTATOR MOTOR (2POLE)	SAFETY MEASURES	THERMAL FUSES AND OVER CURRENT FUSES
DIELECTRIC STRENGTH	1,240Vac FOR 1 MINUTE	INSULATION RESISTANCE	10MΩ OR MORE (MEASURED BY DC500V MEGGER)

- Air speed is calculated from the static pressure measured by the pitot tube. (at the nozzle)
- Sound is the A range value measured in an anechoic room. (Average as 3 points, 2m from the front and both sides)
- The heater is turned off automatically when the room temperature around the unit reaches 86° F (30°C) or above.

## ■ BLOCK DIAGRAM

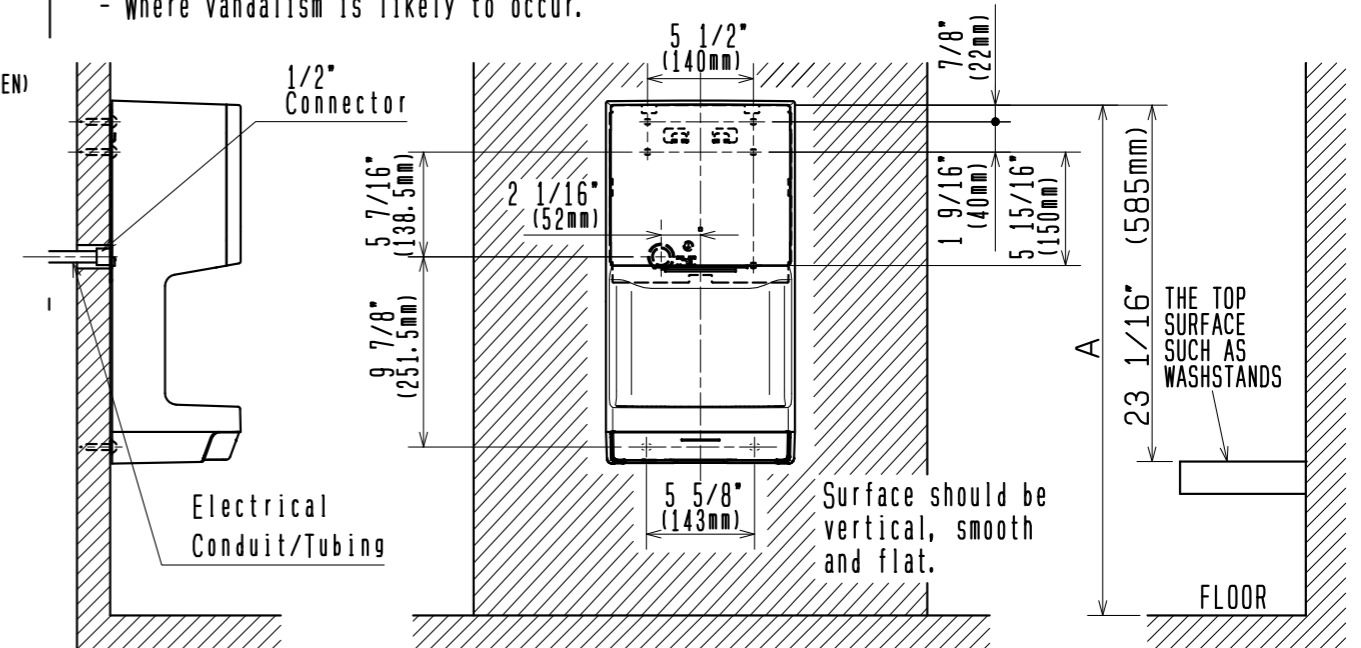


## ■ CERTIFICATIONS

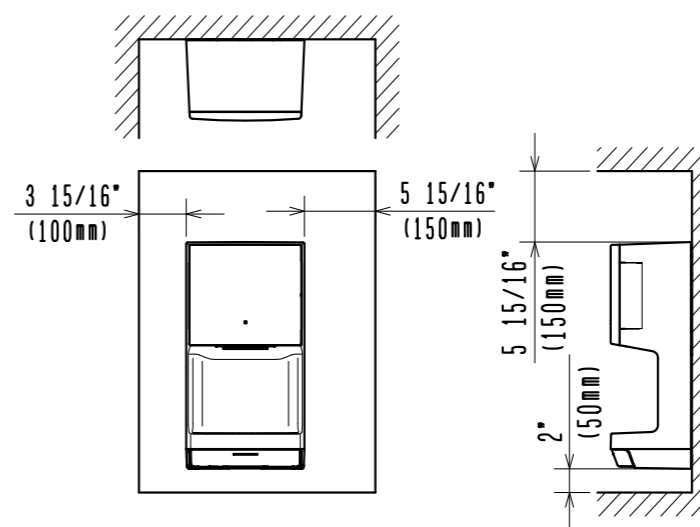


## ■ INSTALLATION PRECAUTIONS

1. Read the installation manual thoroughly before beginning installation to ensure the unit is installed safely and correctly.
2. This hand dryer must be connected to a dedicated GFCI (Ground Fault Circuit Interrupter) branch circuit using appropriate AWG #12 or #14 copper wire.
3. Do not install this hand dryer in the following locations:
  - Outside or in an area exposed to direct sunlight (or other strong light) or in direct moisture.
  - Where the ambient temperature will fall outside the range of 50° F (10°C) to 104° F (40°C).
  - Where the relative humidity will exceed 5-95%, or where condensation will form due to rapid temperature changes.
  - Where dust, salt, or metal particle densities are high.
  - Where corrosive, neutral or reductive gases are present.
  - An area subjected to vibration or pounding, e.g., on trains, vessels, ships and airplanes.
  - Next to food, tableware or cooking appliances.
  - Where the appliance may come into direct contact with water.
  - Near a bathtubs, shower or a swimming pool.
  - In narrow hallways and behind swinging doors.
  - Where vandalism is likely to occur.



## THE SEPARATION DISTANCE FROM WALLS OR OBSTACLES



## RECOMMENDED INSTALLATION HEIGHT "A"

MEN	51 3/8" (1305mm)
WOMEN	47 7/16" (1205mm)

\* FOLLOW LOCAL REQUIREMENTS AND ELECTRICAL CODES

APPROVED	DRAWN
H. Tsuzuki	T. Kobayashi

SCALE	DATE	UNIT	PRODUCT	MITSUBISHI HAND DRYER
NTS	16 Jan 2014	inches (mm)	MODEL	JT-MC106G-W-NA

MITSUBISHI ELECTRIC CORPORATION NAKATSUGAWA WORKS DWG. NO. No.NL 113011