



HY-G1-ECO
ENVIRO SERIES
Single Portable Hand Wash Station

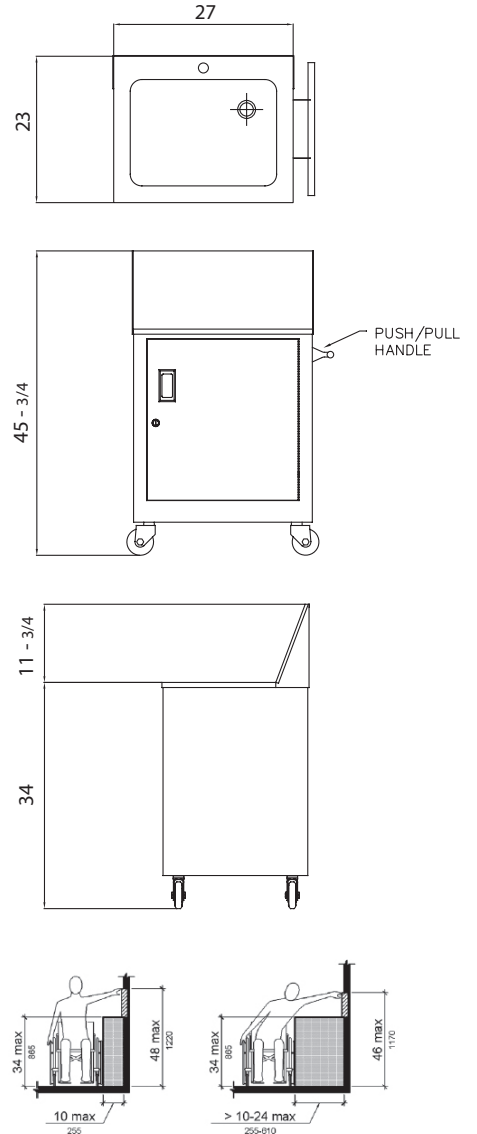


Features:

- Hands-free
- Hose bib economy unit
- CuVerro option
- Indoor/Outdoor use

Specification:

- Heavy-duty stainless steel construction of 16 and 18 gauge, type 304
- Hand-free sensor faucet and mixing valve
- Manual soap dispenser
- Manual towel dispenser
- Large capacity wash basin
- Offset drain location rear corner to reduce aerosolization
- Heavy-duty handle for easy portability
- Lockable access door



ADA: Unobstructed side reach
<https://www.ada.gov/regs2010/2010ADA-Standards/2010ADASTandards.htm#c3>

MODEL NO: **HY-G1-ECO** QTY: _____
 JOB NAME: _____
 TAG / ITEM: _____
 CUSTOMER: _____
 SIGNATURE: _____

JUST MFG. COMPANY CONTINUES TO MAKE QUALITY AND FUNCTIONALITY A MARK OF THE JUST PRODUCT LINE. WE RESERVE THE RIGHT TO CHANGE PRODUCT INFORMATION WITHOUT NOTICE. DIMENSIONS MAY CHANGE AND MAY BE SUBJECT TO CHANGE WITHOUT NOTICE. NO RESPONSIBILITY IS ASSUMED FOR USE OF SUPERCEDED OR VOIDED DATA. JUST MFG. CO. SINKS ARE MADE IN THE U.S.A. WHEN COMPARING OTHER BRAND PRODUCTS, BE SURE TO COMPARE USA QUALITY ALONG WITH FEATURES AND DIMENSIONS.



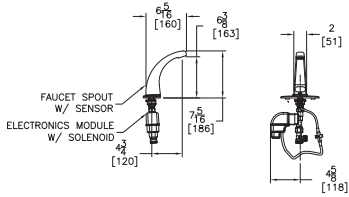


HY-G1-ECO
ENVIRO SERIES
FITTINGS PACKAGE

J-6913 Faucet:

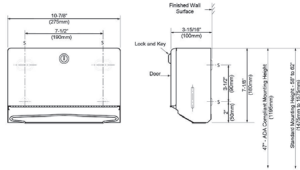
Architectural/Engineering Specification:

AquaSense® faucets are ideal for high-use applications where durability and hands-free operation are necessary. ADA compliant, battery powered, polished chrome-plated cast brass sensor faucet with infrared proximity sensor for retrofit and new construction. Unit is furnished with a standard 1.5 GPM aerator, and mounting hardware. Just® Lead Free products (-XL) is the line of durable, high quality brass faucets and fixtures that are designed and manufactured to comply with Section 1417 of the Safe Drinking Water Act (SDWA) which mandates the weighted average lead content of no more than 0.25% of the wetted surface. • Infrared convergence-type proximity sensor • 30 second time out feature • Chrome-plated Cast Brass Body • In-line filter • 4 "AA" batteries • Inlet for a 1/2" ball riser



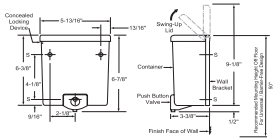
JCF-200 Paper Towel Dispenser surface-mount:

Paper towel dispenser-surface mount. Cabinet and door of type 304,18-8 stainless steel. Full-length piano hinge secures door to cabinet. All spotwelded construction. Exposed surfaces to have a brush finish. Keyed tumbler lock to secure cabinet. Sides slotted to monitor supply without opening door. Capacity (200) C-fold or (275) multi-fold towels measuring 3-1/8" to 3-13/16". ADA compliant when properly mounted to meet ADA requirements. Paper towels not included.



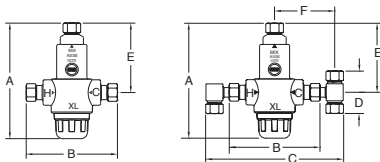
JSD-40 Liquid Manual Soap Dispenser:

• Two Tone Black and Grey High-Impact-Resistant ABS • Push Button Spout • Vandal Resistant Lid with Keyless Locking • Translucent Container Provides Visible Soap Level • Capacity: 40-fl-oz (1.2L) • Concealed Wall/Mirror Mounting



JTM-41 Thermostatic Mixing Valve:

Ideal for use where Lead Free® valves are required. The Just® Aqua-Gard® Thermostatic mixing valve is designed to be installed at the point of use under sinks and sensor faucets to assist in the prevention of scalding. The valves rapid response and precise temperature control meet the stringent standards of ASSE 1070 listed for fixtures, sinks, lavatories or bathtubs. The JTM-41 will mix hot and cold water from the distribution system to a final safer temperature outlet range of 95-115F (35-46C). The 3/8" compression fittings make this valve ideal for residential and commercial applications.



©2020 JUST MFG Co.

