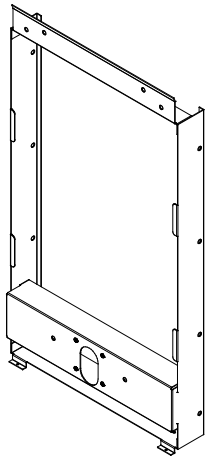
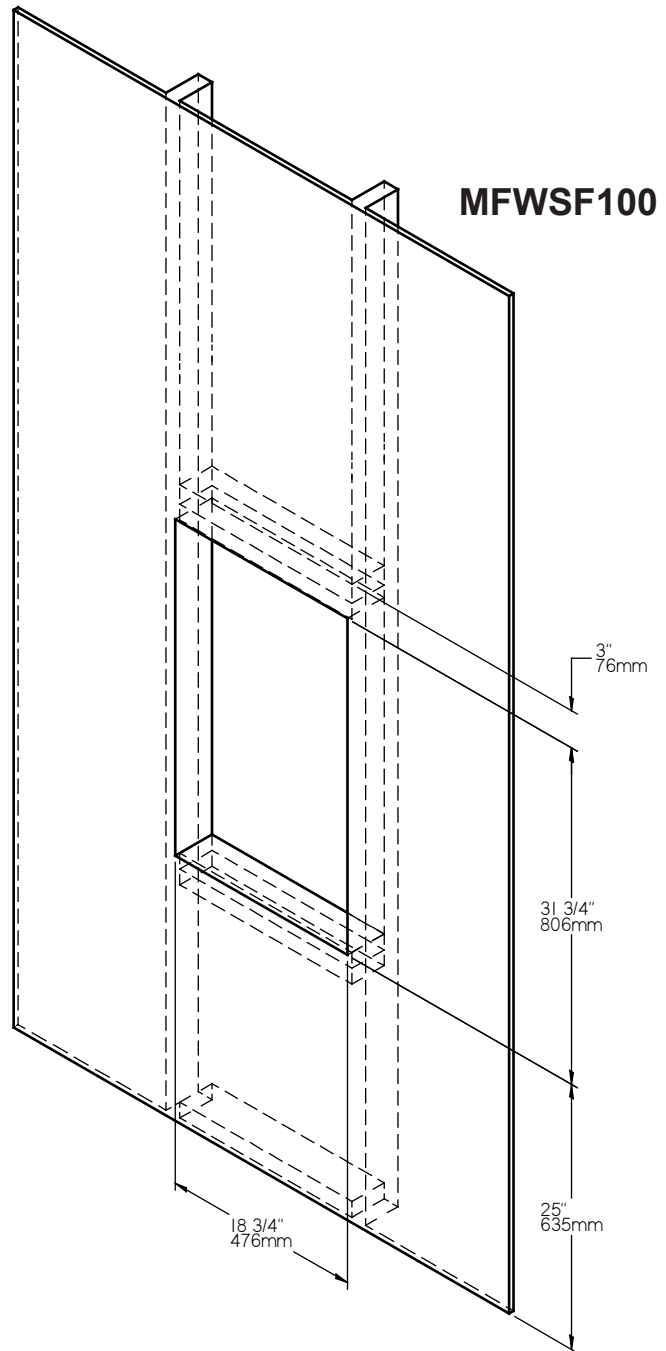


MFWSF100 / MFWSF120 MOUNTING FRAME INSTRUCTIONS



MFWSF120



MFWSF100

5/16" SCREWS OR BOLTS
(10 REQ'D - NOT FURNISHED)

FRAME

INSTALL (2) SCREWS
(P/N 111008343890 - PROVIDED)
BEFORE INSTALLING IN OPENING

1. **Cut a square rectangular wall opening** 18 3/4" (476mm) W x 31 3/4" (806mm) H and 25" (635mm) above the floor line. These dimensions are required to obtain proper rim and bubbler heights for compliance with ANSI standard A117.1.
2. **Reinforce the wall opening** on all sides so that it will adequately support the water fountain. This reinforcement must support up to 150 lbs static load and provide a means for securing the frame assembly in place.
3. **Install plumbing rough-ins.**
4. **Remove frame assembly and related hardware** from packaging. Install the frame squarely in wall opening with frame upright edges flush with the finished wall face. Secure the frame to the wall using (10) 5/16" bolts or screws (not provided). Tighten securely.

NOTE: Be sure that frame is squared in location. Do not use less than required screw quantity and size.

For Technical Service, please contact us at 1.800.476.4106