



**Halsey Taylor**<sup>®</sup>  
Satisfying Thirsts Since 1912

**OVL-II™ Series Single  
Wall Mount Fountain  
Barrier-Free with HydroBoost®**

**MODEL: HTHB-OVLEBP-I**

**OVL Fountain With Bottle Filler**

*Rated for Indoor Use Only*

**GENERAL**

Complete water station including HydroBoost® bottle filling station and OVL-II™ style water fountain. One face-mounted fountain, one-piece, non-corrosive stainless steel number 300 series with brushed satin finish. Contour-formed basin with softly rounded corners and edges reduces splatter, insures proper drainage and prevents standing waste water. Designed to be easily accessible to both physically challenged and able-bodied individuals. Ideally suited for installation in public areas. Model meets state and federal requirements as defined by the Americans with Disabilities Act.

**HYDROBOOST® BOTTLE FILLING STATION**

Sensor-activated enhanced with user interface graphics. Quick fill rate is 1.5 gallons per minute. Laminar flow provides a clean fill with minimal splash and easy maintenance. Equipped with an automatic 20-second shut-off timer. Key plastic components are integrated with silver ion anti-microbial protection to inhibit growth of mold and mildew.

**SILVER ION ANTI-MICROBIAL PROTECTION**

Key plastic components are integrated with silver ion anti-microbial protection to inhibit growth of mold and mildew.

**GREEN COUNTER™**

Visually displays count of plastic bottles saved from waste. (Based on 20 oz. bottles.)

**DOUBLE BUBBLER™**

Features an exclusive one-piece, chrome plated two-stream mound-building bubbler with non-removable anti-squirt feature. It's integral hood insures a satisfying drink of water.

**PUSHBUTTON ACTUATION MECHANISM**

Self-closing, vandal-resistant pushbutton does not require grasping or twisting.

**PANEL**

Constructed of stainless steel, No. 300 Series with satin finish.

**MOUNTING FRAME**

Mounting frame is manufactured of corrosion resistant, galvanized steel. Open construction designed for ease of installation. Mounting frame can be shipped in advance for rough-in installation.

**AUTOMATIC STREAM HEIGHT REGULATOR**

Self-closing assembly is located inside unit to prevent tampering. Unit resists corrosion and liming. A constant stream height is automatically maintained under line pressures that vary from 20 to 105 psi.

**INLET STRAINER**

Easily cleaned in-line strainer screen traps particles of 140 microns or larger before they enter the waterway.

**WATER INLET**

3/8" O.D. Tubing.

**DRAIN OUTLET**

1-1/4" tube outlet for 1-1/2" slip joint connection. (P-Trap not included.)

Note: Continued product improvement makes specification subject to change without notice. See Halsey Taylor website for most current spec Sheet.



**SUGGESTED SPECIFICATIONS**

Unit shall include a single contoured fountain with integral bottle filling station constructed of stainless steel and ABS plastic. Bottle filler shall include electronic sensor for no-touch activation with automatic 20-second shut-off timer. Shall provide 1.5 gpm flow rate with laminar flow to minimize splashing. Shall include anti-microbial protected plastic components to inhibit mold and mildew. Fountain shall include front pushbutton activation. Shall have contoured fountain basin to minimize splashing and standing water and include rounded edges. Projector shall be two-stream, mound-building type with integral hood guard and anti-squirt feature. Shall comply with ANSI 117:1 and ADA guidelines for visual and motion disabilities. The manufacturer shall certify the unit to meet the requirements of NSF/ANSI 61 and 372, UL 399 and CAN/CSA 22.2 No. 120.

**Optional Accessories (Extra Cost)**

- Vandal-Resistant Kit
- Easy-Flex™ Bubbler

Each HTHB-OVLEBP-I consists of 2 cartons as follows:

- Fountain, Panel and Misc. Parts;
- Mounting Frame.

Service stop not included. Total shipping weight: 67 lbs.



www.halseytaylor.com

HALSEY TAYLOR, 2222 Camden Court, Oak Brook, IL 60523

**Model HTHB-OVLEBP-I**  
**OVL-II™ Series Single**  
**Wall Mount Fountain**  
**Barrier-Free with HydroBoost®**  
 (continued)



**Halsey Taylor**  
 Satisfying Thirsts Since 1912

**MOUNTING INSTRUCTIONS:**

Refer to diagrams for rough-in of plumbing. Install mounting frame into wall per the installation instructions. Hang fountain panel over the wall plate assembly. Attach fountain to wall plate assembly. Water service line and waste line are to be assembled as required. Final check for leaks and correct functions of fountain should be made. (For details see the installation instructions.)

**NOTE:** A service stop (not included) must be installed at the fountain inlet line.

**NOTE:** P-Trap (not supplied) to be installed per local building code.

**NOTE:** For wall support required locations see installation instructions provided with panel and fountains.

**CAUTION - Fountain must be securely bolted to wall.**

Job Name: \_\_\_\_\_  
 Date: \_\_\_\_\_ Qty. \_\_\_\_\_  
 Contact Info (Name, Phone, Email): \_\_\_\_\_  
 \_\_\_\_\_  
 Approval: \_\_\_\_\_

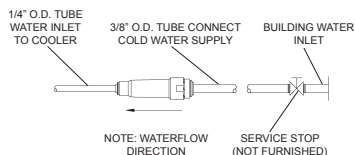
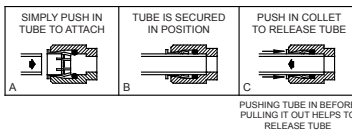
**OPERATING PRESSURES:**

Supply water - 105 psi maximum

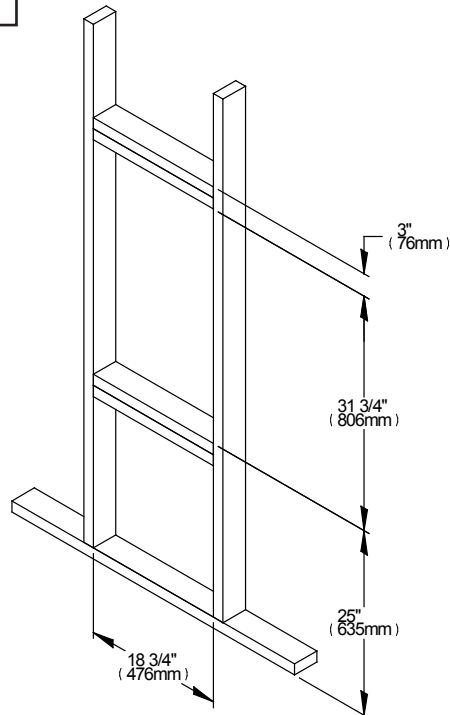
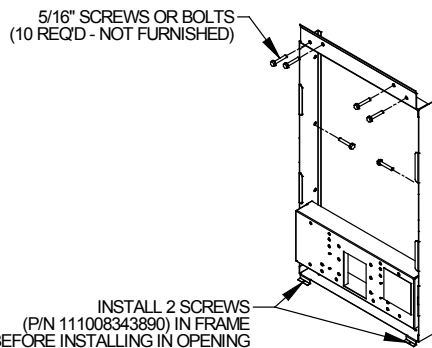
**ELECTRICAL**

Hydroboost® station equipped with electric cord and three-prong molded rubber plug for use with 15-amp minimum receptacle.

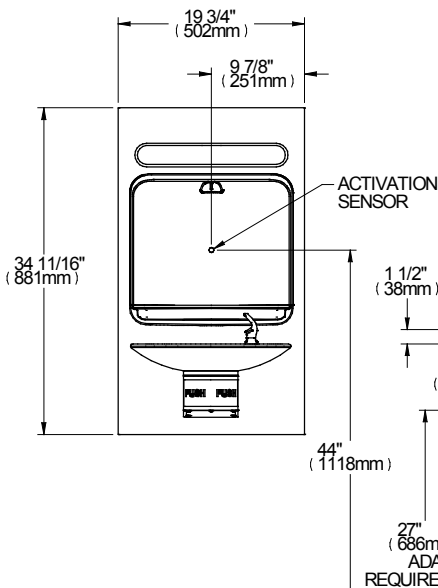
**OPERATION OF QUICK CONNECT FITTINGS**



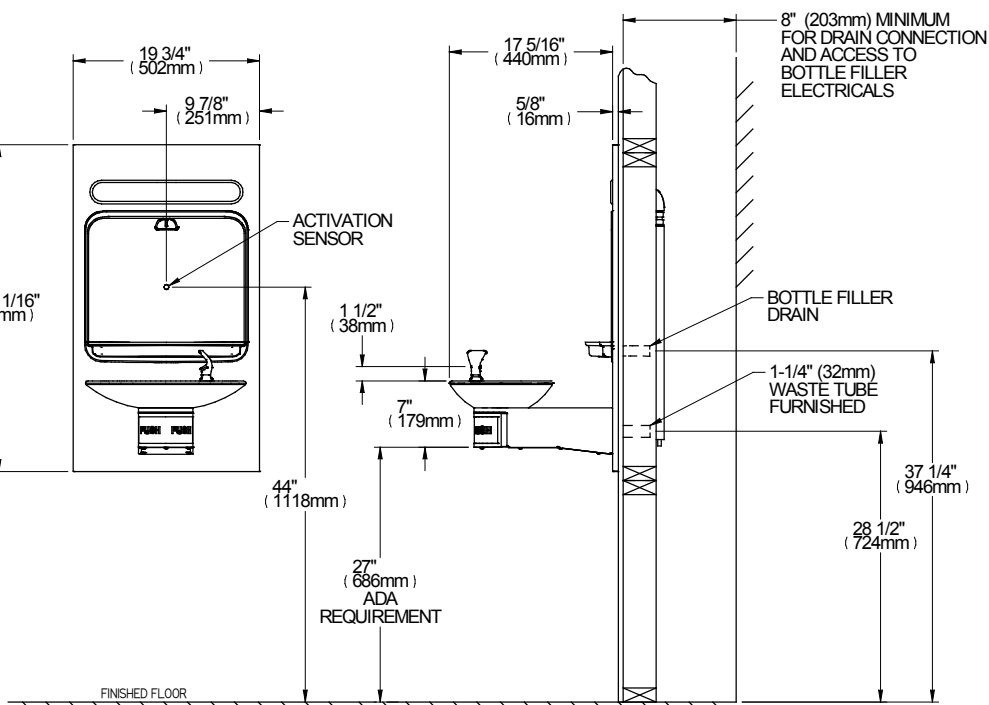
**WALL LAYOUT**



**FRONT VIEW**



**SIDE VIEW**



REDUCE HEIGHT BY 3 INCHES FOR INSTALLATION OF CHILDREN'S ADA FOUNTAIN

**Halsey Taylor**