



DISTRIBUTED BY

RESTROOMDIRECT

COMMERCIAL RESTROOM ACCESSORIES

restroomdirect.com 704-464-1249

HO

INSTALLATION INSTRUCTIONS FOR SURFACE-MTD DRYER

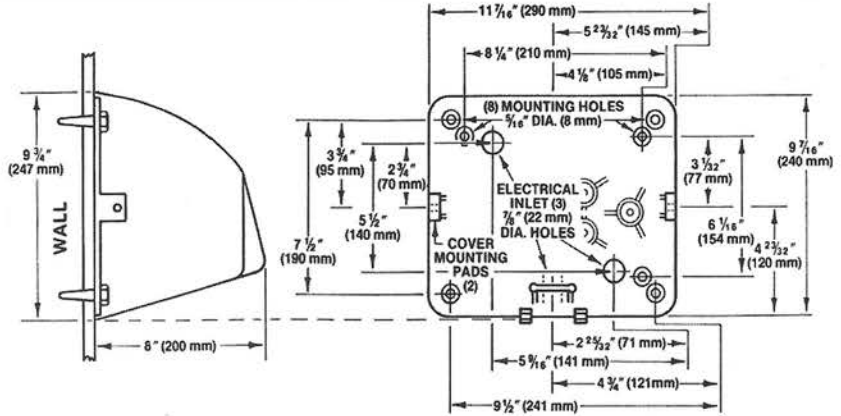
**FOR PROPER ELECTRICAL CONNECTIONS, CHECK YOUR LOCAL BUILDING CODES.
YOUR UNIT MUST BE INSTALLED BY A QUALIFIED, LICENSED ELECTRICIAN.**

Suggested Mtg. Heights from floor to bottom of dryer

Men's	43" (109 cm)
Ladies'	41" (104 cm)
Teenagers'	39" (99 cm)
Sm. Children	33" (84 cm)
Handicapped	35" (89 cm)

Recommended Fastener

Masonry Wall	1/2" expansion sleeve with 1/4" lag bolt
Hollow Wall	1/4" wing type through bolt
Wooden Wall	1/4" lag screw with washer



1. Remove cover of dryer by unscrewing two tamper-proof bolts from the sides of the cover with the special wrench provided with each unit.
2. Attach wall plate assembly to a smooth wall using the recommended type of fastener (see above).
3. Connect 110/120V dryer to no more than a 20 Amp branch circuit only using at least #12 GA wire. Connect a 208/230V, 240V or 277V dryer to no more than a 15 Amp. branch circuit using at least a #14 GA copper wire. Attach lines to terminals as indicated by the schematic inside dryer cover. Be sure that an equipment ground wire is securely fastened to wall plate. For runs over 50 feet or for multiple installations, increase the size of the wire used. Dryers should be installed as local codes require.
4. Before replacing cover, check the Serial Number marked inside the dryer to be sure it matches the Serial Number on the nameplate. **PLEASE DO NOT SWITCH COVERS. Do not forget to leave the special TAMPER PROOF WRENCH with the owner.**

INSTALLATION NOTE FOR AUTOMATIC MODELS: If the dryer will not turn on, stays on or stops working, it may be mounted too close to a counter or object. Turn off the power to dryer for 10 seconds and then reapply power. If dryer will start, then turn off again, relocate the object or remount dryer. If this is not possible, adjust the range of the sensor by turning the range adjustment on the control board, counterclockwise to decrease sensor range. Please call the factory at **1-800-255-9235** and one of our trained technicians will be happy to assist you.

NOTE: Upon completing installation and checking for proper operation, it is highly recommended that a bead of silicone sealant be placed around the outside of the cover at the wall to protect dryer from internal corrosion caused by wash water and cleaning solutions

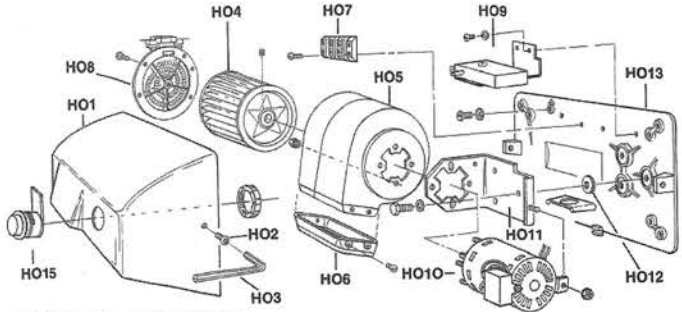
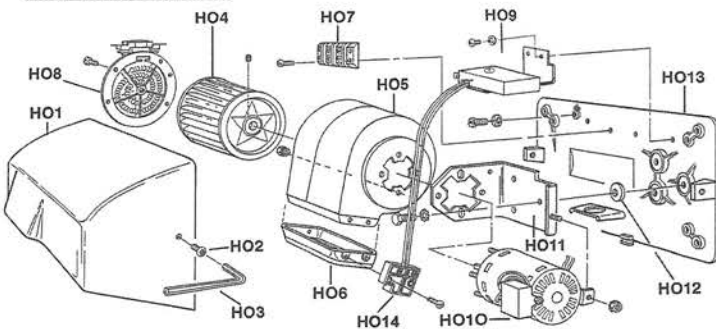
PARTS LIST FOR PUSH BUTTON AND AUTOMATIC DRYER

Model, Serial Number and Voltage of dryer must be provided when ordering parts

<u>REF NO.</u>	<u>DESCRIPTION</u>
HO1	Cover Automatic (Cast Cover or Lexan) Cover Push Button (Lexan)
HO2	Tamper-proof Bolt (Specify Lexan or Cast Cover)
HO3	Tamper-proof Wrench
HO4	Blower Wheel
HO5	Blower Housing
HO6	Blower Vent/Grille
HO7	Terminal Block
HO8	Heating Element Assembly 110/120V, 208V, 240V, 277V

<u>REF NO.</u>	<u>DESCRIPTION</u>
HO-9	Dryer Control- Timer (Push button-all voltages) Dryer Control- Infrared (Automatic-all voltages)
HO-10	Motor - Capacitor (110/120V or 208/240V)
HO-11	Motor Bracket
HO-12	Motor Bracket Pads (3)
HO-13	Wall Plate
HO-14	Optics Assembly (Sensor)
HO-15	Push Button Assy. (including nut)
HO-16	Element Baffle (not shown - *for CSA only)
HO-17	Motor Baffle (not shown - for CSA only)

AUTOMATIC DRYER



PUSH BUTTON DRYER



DISTRIBUTED BY

RESTROOMDIRECT
COMMERCIAL RESTROOM ACCESSORIES
restroomdirect.com 704-464-1249

HO

DISCONNECT ELECTRICAL SUPPLY TO DRYER PRIOR TO CLEANING OR SERVICING
CLEANING INSTRUCTIONS

OUTSIDE

Gently wash Cover (including Inlet Screen) using a soft cloth or sponge and a mild soap or detergent with lukewarm water to loosen dirt and grime. DO NOT USE ABRASIVE OR HIGHLY ALKALINE CLEANERS. NEVER SCRAPE WITH RAZOR BLADE OR OTHER SHARP INSTRUMENT. BENEZENE, LEADED GASOLINE, ACETONE OR CARBON TETRACHLORIDE SHOULD NEVER BE USED.

INSIDE

With normal use, dryer will require cleaning once a year. **Heavier usage requires more frequent cleaning.** Lint on the Inlet Screen, fan or other internal parts of dryer will reduce efficiency and shorten the life of the working parts. To clean, remove cover by unscrewing the tamper-proof bolts from cover with the special wrench provided with each dryer. Use a small, soft brush to gently clean all parts. Don't forget to inspect for missing or broken Blower Vent/Grille (Ref. #HO6)

TROUBLESHOOTING GUIDE

As with any electrical appliance, repairs to be performed by qualified service personnel

AUTOMATIC DRYER**If your dryer does not turn on**

1. Verify that the dryer is receiving power by checking electrical service, circuit breaker or fuse to the dryer.
2. Check voltage to dryer terminal block.
3. Check RED service LED light for the following:

Light is ON – Place hands under sensor. If light stays **on**, then replace sensor. If light goes **off**, check to make sure wiring is correct at dryer control. If OK, check motor fuse if so equipped, and wire connecting to motor. If both are OK, replace motor.

Light is OFF – Check for loose, disconnected or improper wiring at dryer control (See wiring schematic inside dryer cover), or replace dryer control.

Light is FLASHING – Dryer is in lockout mode. (See installation note.)

If your dryer does not shut off

1. May be mounted too close to a counter or object (See installation note).
2. Check for loose, disconnected or improper wiring at dryer control. (See wiring schematic inside dryer cover)
3. Replace dryer control.

If your dryer heats up but no air comes out

1. Check motor fuse if so equipped.
2. Check wire connection to motor
3. Replace motor.

PUSH BUTTON DRYER**If your dryer does not shut off**

1. Check for loose, disconnected or improper wiring at dryer timer.
2. If OK, replace dryer timer.

If your dryer does not turn on

1. First, verify that the dryer circuit breaker is on.
2. Then check voltage to dryer terminal block.
3. Check for loose wires on dryer timer.
4. Check to see if push button assembly is sticking
5. If OK, replace dryer timer.

If your dryer does not always turn on

1. Check to see if push button assembly is sticking.
2. Check for loose wires on dryer timer.
3. If OK, replace dryer timer.

If your dryer heats up but no air comes out

1. Check to see if your blower wheel is jammed.
2. Check to see if motor is hot. If hot, let cool for 10 minutes to reset motor's internal circuit breaker.
3. If cool, replace motor.

If your dryer blows only cold air

1. Check for loose wires or broken coil on heating element.
2. If OK, replace heating element.

Note: If the problem cannot be resolved with the above, please call the factory at 1-800-255-9235 and a trained technician will be happy to assist you.

LEXAN COVER – 5 YEARS**LIMITED WARRANTY****CAST COVER – 10 YEARS**
(5-years on Control Assy & Sensor)

1. This product is warranted to be free of defects for five (5) years (Lexan Cover) or ten (10) years (five [5] years on Control Assembly and Sensor) from the date of shipment from the Manufacturer's factory at 357 Chestnut St., East Longmeadow, Massachusetts 01028. In the event of a breach of the warranty described above, the Owner shall have either one of the following remedies:
 - a. The Owner shall return the defective product to the Manufacturer, postage prepaid, and the Manufacturer shall repair said product within a reasonable time and free of charge, provided that said product is returned within the stated period above from the date of original shipment from the Manufacturer's factory in East Longmeadow, Massachusetts; and, provided further that said defect is not due to faulty installation, accident, misuse, or vandalism; **or**
 - b. The Owner may notify the Manufacturer by telephone or in writing of the defect and, within a reasonable time, the Manufacturer shall send a suitable replacement part to remedy said defect, and Owner shall be charged for said part at the current price level. The Owner may return the defective part to the Manufacturer, postage prepaid, along with the serial number of the defective product and the Manufacturer will then issue to the Owner a full credit for the repair part, including outgoing postage. Said remedy is available only within the stated period stated above from the date of original shipment of the product from the Manufacturer's factory in East Longmeadow, Massachusetts, and provided further that said defect is not due to faulty installation, accident, misuse, or vandalism.
3. Any implied warranties of merchantability or fitness for a particular purpose are hereby limited to the duration of the express written warranty contained in paragraph one (1); namely, five (5) years (Lexan Cover) or ten (10) years (five [5] years on Control Assembly and Sensor) from the date of shipment from the Manufacturer's factory in East Longmeadow, Massachusetts.
4. There are no other warranties and remedies except as contained herein. This warranty shall inure to the benefit of the Owners, Successors and Assigns.