



**INSTALLATION INSTRUCTIONS FOR RECESSED DRYER**

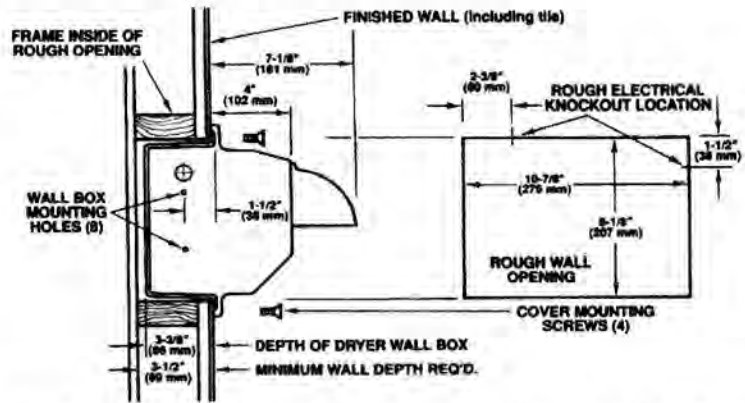
**FOR PROPER ELECTRICAL CONNECTIONS, CHECK YOUR LOCAL BUILDING CODES. YOUR UNIT MUST BE INSTALLED BY A QUALIFIED, LICENSED ELECTRICIAN.**

**Suggested Mtg. Heights from floor to bottom of dryer**

	<b>HAND DRYER</b>	<b>HAIR DRYER</b> (push button model only)
Men's	40" (102 cm)	64" (163cm)
Ladies'	38" (97 cm)	58" (147 cm)
Teenagers'	36" (91 cm)	56" (142 cm)
Sm. Children	30" (76 cm)	43" (109 cm)
Handicapped	32" (81 cm)	45" (114 cm)

**Recommended Fastener**

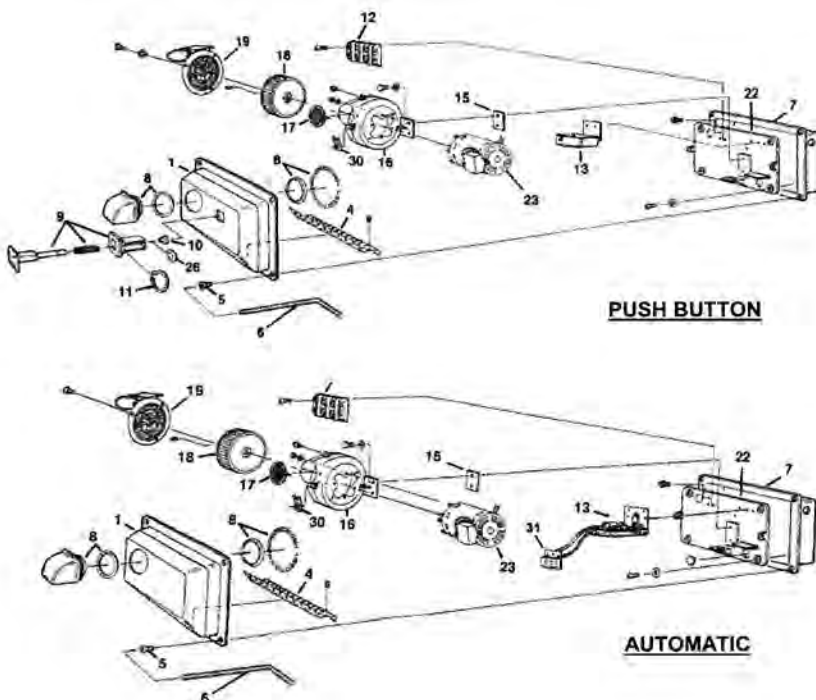
Masonry Wall	½" expansion sleeve with ¼" lag bolt
Hollow Wall	¼" wing type through bolt
Wooden Wall	¼" lag screw with washer



1. Suggested wall opening 8 1/8" (207mm) high x 10 7/8" (276mm) wide x 3 1/2" (89 mm) minimum depth. Wall openings should be framed on four sides with openings to allow for easy access of electrical conduits.
2. Remove cover from wall box by unscrewing four tamper-proof bolts from the corners of the dryer. Remove wall plate from the wall box by unscrewing four (4) ¼-20 round head mounting bolts from the corners of the wall plate.
3. Attach wall box to framed wall opening with #10 screws. ALLOW ENOUGH SPACE SO THAT THE ENTIRE THICKNESS OF WALL BOX FLANGE IS EXPOSED AND PROTRUDES FROM FINAL FINISHED WALL, AS THE COVER FITS OVER THIS FLANGE. Place dryer assembly into wall box and attach with ¼-20 round head bolts supplied.
4. Connect a 110/120V dryer to no more than a 20 Amp branch circuit using at least a #12 GA copper wire. Connect a 208/230V, 240V or 277V dryer to no more than a 15 Amp. branch circuit using at least a #14 GA copper wire. For runs over 50 feet or for multiple installations, increase the size of the wire used. Attach lines to terminals as indicated by the schematic inside dryer cover. Be sure that an equipment ground wire is securely fastened to the wall plate. Dryers located in shower rooms or other wet locations should be installed with circuits protected by ground fault interrupter(s) or as local codes require.
5. Before replacing cover, check the Serial Number marked inside the dryer to be sure it matches the Serial Number under the cover. **PLEASE DO NOT SWITCH COVERS. Do not forget to leave the special TAMPER PROOF WRENCH with the owner.**

**NOTE:** Upon completing installation and checking for proper operation, it is **highly** recommended that a bead of **silicone sealant** be placed around the outside of the cover at the wall to protect dryer from internal corrosion caused by wash water and cleaning solutions

**PARTS LIST FOR PUSH BUTTON AND AUTOMATIC DRYER**



**PARTS LIST FOR RECESSED DRYERS**

<b>REF. NO.</b>	<b>DESCRIPTION</b>
1	Cover – Push Button or Infrared
4	Inlet Screen
5	Tamper-proof Bolt
6	Tamper-proof Wrench
7	Wall Box
8	Nozzle (with Spring & washers)
9	Push Button Assembly
10	Push Button Tip
11	Push Button Snap Ring
12	Terminal Block
13	Dryer Control – Timer or Infrared
15	Blower Housing Mounting Pad
16	Blower Housing
17	Blower Screen
18	Blower Wheel
19	Heating Element Assembly
22	Wall Plate
23	Motor
26	Push Button E-Ring
30	Nozzle Fixer (Push button or Automatic)
31	Optics Assembly (Sensor)

**NOTE:** Model, Serial Number and Voltage of the dryer **MUST BE** included when ordering parts.



**⚡ DISCONNECT ELECTRICAL SUPPLY TO DRYER PRIOR TO CLEANING OR SERVICING ⚡**  
**CLEANING INSTRUCTIONS**

**OUTSIDE**

Gently wash Cover (including air inlet holes) using a soft cloth or sponge and a mild soap or detergent with lukewarm water to loosen dirt and grime.

**INSIDE**

With normal use, dryer will require cleaning once a year. **Heavier usage requires more frequent cleaning.** Lint on the Inlet Screen, fan or other internal parts of dryer will reduce efficiency and shorten the life of the working parts. To clean, remove cover by unscrewing the tamper-proof bolts from cover with the special wrench provided with each dryer. Use a small, soft brush to gently clean all parts. Don't forget to inspect for missing or broken Blower Screen (Ref. #17)

**TROUBLESHOOTING GUIDE**

**As with any electrical appliance, repairs to be performed by qualified service personnel**

**PUSH BUTTON DRYER**

***If your dryer does not shut off***

Check for loose, disconnected or improper wiring at dryer timer.  
 If OK, replace dryer timer.

***If your dryer does not turn on***

First, verify that the dryer circuit breaker is on.  
 Then check voltage to dryer terminal block.  
 Check for loose wires on dryer timer or broken push button tip.  
 Check to see if push button assembly is sticking.  
 If OK, replace dryer timer.

***If your dryer does not always turn on***

Remove cover and check if wall box is properly installed (see instruction #3 on reverse)  
 Check for loose wires on dryer timer or broken push button tip.  
 If OK, replace dryer timer.

***If your dryer heats up but no air comes out***

Check to see if your blower wheel is jammed.  
 Check to see if motor is hot. If hot, let cool for 10 minutes to reset motor's internal circuit breaker.  
 If cool, replace motor.

***If your dryer blows only cold air***

Check for loose wires on heating element.  
 If OK, replace heating element.

**Note:** If the problem cannot be resolved with the above, please call the factory at **1-800-255-9235** and a trained technician will be happy to assist you.

**AUTOMATIC DRYER**

***If your dryer does not shut off***

Check for foreign material on optical sensor next to air outlet.  
 Remove cover and check if wall box is properly installed (see instruction #3 on reverse)  
 Check for loose connections to dryer control  
 If OK, replace dryer control

***If your dryer does not turn on***

First, verify that the dryer circuit breaker is on.  
 Remove cover and check if wall box is properly installed (see instruction #3 on reverse)  
 Check voltage to dryer terminal block.  
 Check for loose or disconnected terminals on dryer control.  
 Check for missing lens or damaged optical sensor  
 Check for foreign material on optical sensor next to air outlet  
 If OK, replace dryer control.

***If your dryer does not always turn on, or turns on by itself***

Check for foreign material on optical sensor next to air outlet  
 Check for loose or disconnected terminals on dryer control.  
 If OK, replace dryer control.

***If your dryer heats up but no air comes out***

Check to see if your blower wheel is jammed.  
 Check to see if motor is hot. If hot, let cool for 10 minutes to reset motor's internal circuit breaker.  
 If cool, replace motor.

***If your dryer blows only cold air***

Check for loose wires on heating element.  
 If OK, replace heating element.

**PUSH BUTTON – 10-year Unlimited**

**WARRANTY**

**AUTOMATIC – 10-year Limited**  
**(5-years on Control Assy & Sensor)**

1. This product is warranted to be free of defects for ten (10) years (Push Button model) or ten (10) years (five [5] years on Control Assembly and Sensor-Automatic model) from the date of shipment from the Manufacturer's factory at 357 Chestnut St., East Longmeadow, Massachusetts 01028. In the event of a breach of the warranty described above, the Owner shall have either one of the following remedies:
  - a. The Owner shall return the defective product to the Manufacturer, postage prepaid, and the Manufacturer shall repair said product within a reasonable time and free of charge, provided that said product is returned within the stated period above from the date of original shipment from the Manufacturer's factory in East Longmeadow, Massachusetts; and, provided further that said defect is not due to faulty installation, accident, misuse, or vandalism; **or**
  - b. The Owner may notify the Manufacturer by telephone or in writing of the defect and, within a reasonable time, the Manufacturer shall send a suitable replacement part to remedy said defect, and Owner shall be charged for said part at the current price level. The Owner may return the defective part to the Manufacturer, postage prepaid, along with the serial number of the defective product and the Manufacturer will then issue to the Owner a full credit for the repair part, including outgoing postage. Said remedy is available only within the stated period stated above from the date of original shipment of the product from the Manufacturer's factory in East Longmeadow, Massachusetts, and provided further that said defect is not due to faulty installation, accident, misuse, or vandalism.
3. Any implied warranties of merchantability or fitness for a particular purpose are hereby limited to the duration of the express written warranty contained in paragraph one (1); namely, ten (10) years (Push button model) or ten (10) years (five [5] years on Control Assembly and Sensor-Automatic model) from the date of shipment from the Manufacturer's factory in East Longmeadow, Massachusetts.
4. This warranty shall apply even if the defect is due to accident, misuse or vandalism (Push button model only). There are no other warranties and remedies except as contained herein. This warranty shall inure to the benefit of the Owners, Successors and Assigns.