

### PRODUCT SPECIFICATIONS

Elkay Water Dispenser 1.5 GPH Filtered Stainless Steel. Features shall include Ambient Water, Cold Water, Filtered, Sparkling Water, UV Light. Front Button activation with Dry Cooling technology. Product shall be Countertop mounted/Freestanding.

<b>Special Features:</b>	Ambient Water, Cold Water, Filtered, Sparkling Water, UV Light
<b>Model Type:</b>	Countertop
<b>Material:</b>	Stainless Steel
<b>Dimensions (L x W x H):</b>	19-3/16" x 10-1/4" x 16-7/16"
<b>Approx. Shipping Weight:</b>	66 lbs.
<b>Cold Water Temperature Range:</b>	42° F – 50° F
<b>Cooling Capacity:</b>	1.5 GPH (32.6 oz. cups/hour)
<b>Cooling Technology:</b>	Aluminum fusion block heat exchanger
<b>Refrigerant Gas:</b>	R134a
<b>Condensation Control:</b>	Forced ventilation (fan)
<b>Inlet Water Line:</b>	1/4 inch, PE plastic tubing
<b>Electrical:</b>	115V/60Hz
<b>Power Consumption:</b>	200 W
<b>Working Room Temperature:</b>	Min 41° F – Max 107° F
<b>Filter Capacity:</b>	6000 gallons or 6 months
*Based on 68° F inlet water & 77° F ambient air temp for 50° F chilled drinking water.	

- Three water dispensing options: ambient water, cold water, and sparkling water.
- Filter is certified to NSF 42 for particulate, chlorine, taste, and odor reduction.
- UV Light prohibits bacterial growth on dispense nozzle.
- Drip tray: no drain line required.
- Fast fill rate 1.1 GPM.

### INSTALLATION KIT

- Installation and Operating instructions
- CO<sub>2</sub> Regulator
- Water Pressure Regulator
- Elkay WaterSentry® Filter and Mounting Bracket
- Additional tubing for connection to water and CO<sub>2</sub>
- Requires fittings for connection to water supply
- Shut-off Valve

PART: \_\_\_\_\_ QTY: \_\_\_\_\_

PROJECT: \_\_\_\_\_

CONTACT: \_\_\_\_\_

DATE: \_\_\_\_\_

NOTES: \_\_\_\_\_

APPROVAL: \_\_\_\_\_



AMERICAN PRIDE. A LIFETIME TRADITION. Like your family, the Elkay family has values and traditions that endure. For almost a century, Elkay has been a family-owned and operated company, providing thousands of jobs that support our families and communities.

**Included with Product:** Installation Kit

### PRODUCT COMPLIANCE

CAN/CSA C22.2 No. 120

GreenSpec®

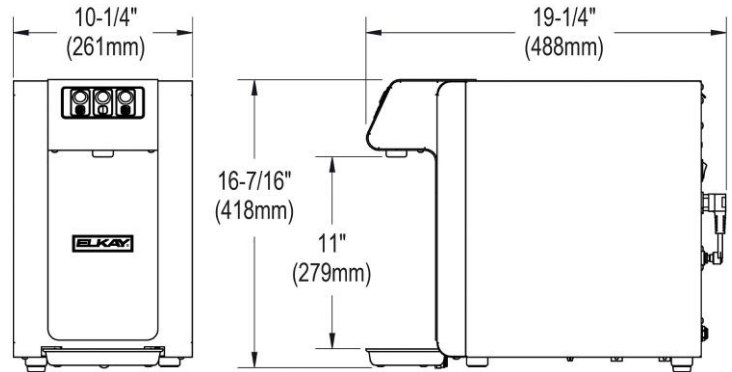
NSF/ANSI 42, 61, & 372 (lead free)

UL 399



[Installation Instructions \(PDF\)](#)

[Warranty \(PDF\)](#)



### OPTIONAL ACCESSORIES

WSF6000R-2PK - WaterSentry Fresh 6000 CTO Filter - Replacement (2pack)
DSCABBSH - Elkay Water Dispenser Cabinet

*In keeping with our policy of continuing product improvement, Elkay reserves the right to change product specifications without notice. Please visit elkay.com for the most current version of Elkay product specification sheets. This specification describes an Elkay product with design, quality, and functional benefits to the user. When making a comparison of other producers' offerings, be certain these features are not overlooked.*