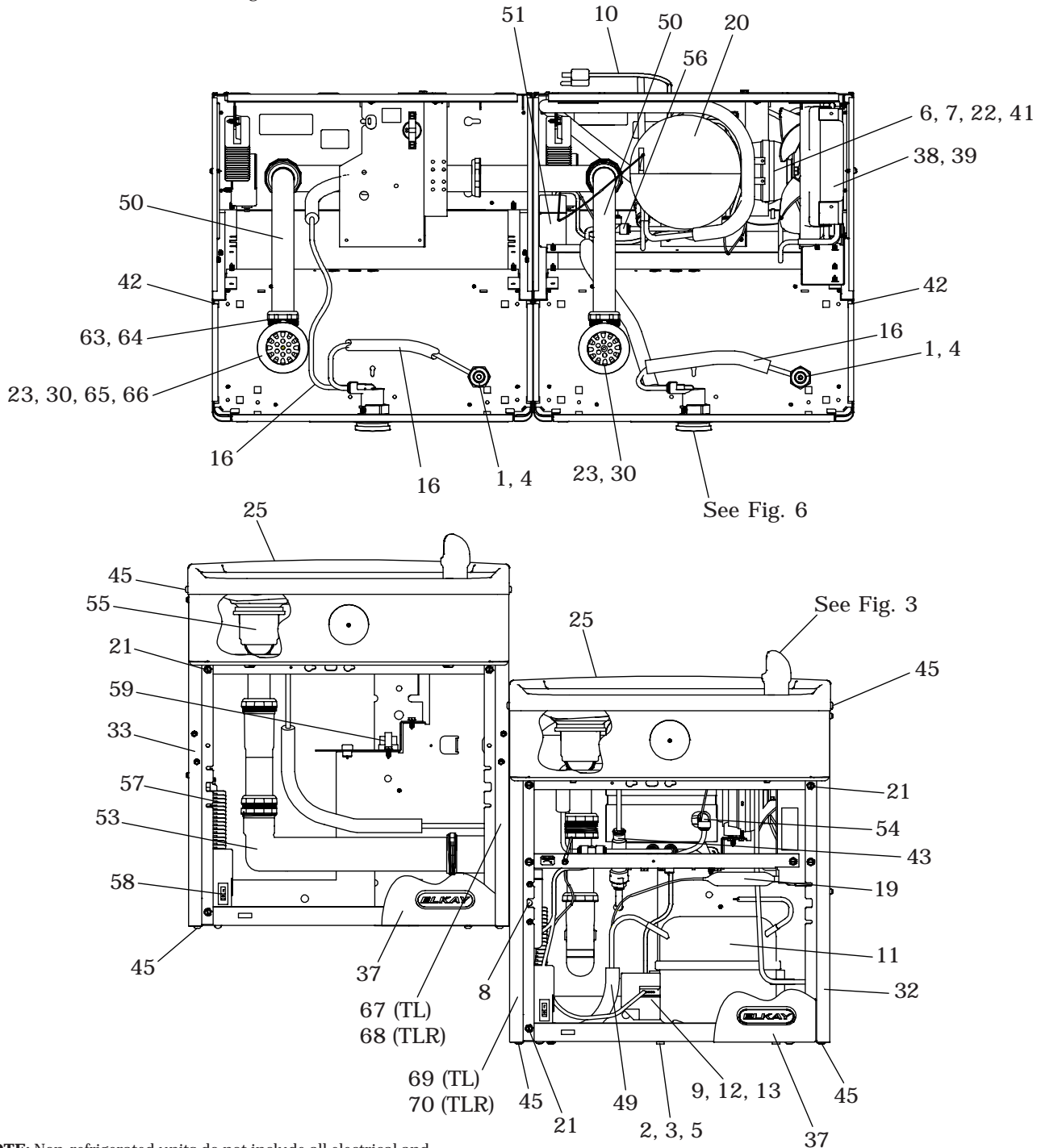


ELKAY *INSTALLATION, CARE & USE MANUAL*

VRCTLFR™ Series Barrier-Free Water Coolers

Uses HFC-134A refrigerant



NOTE: Non-refrigerated units do not include all electrical and refrigeration components shown above. Other components and rough-in are the same as shown.



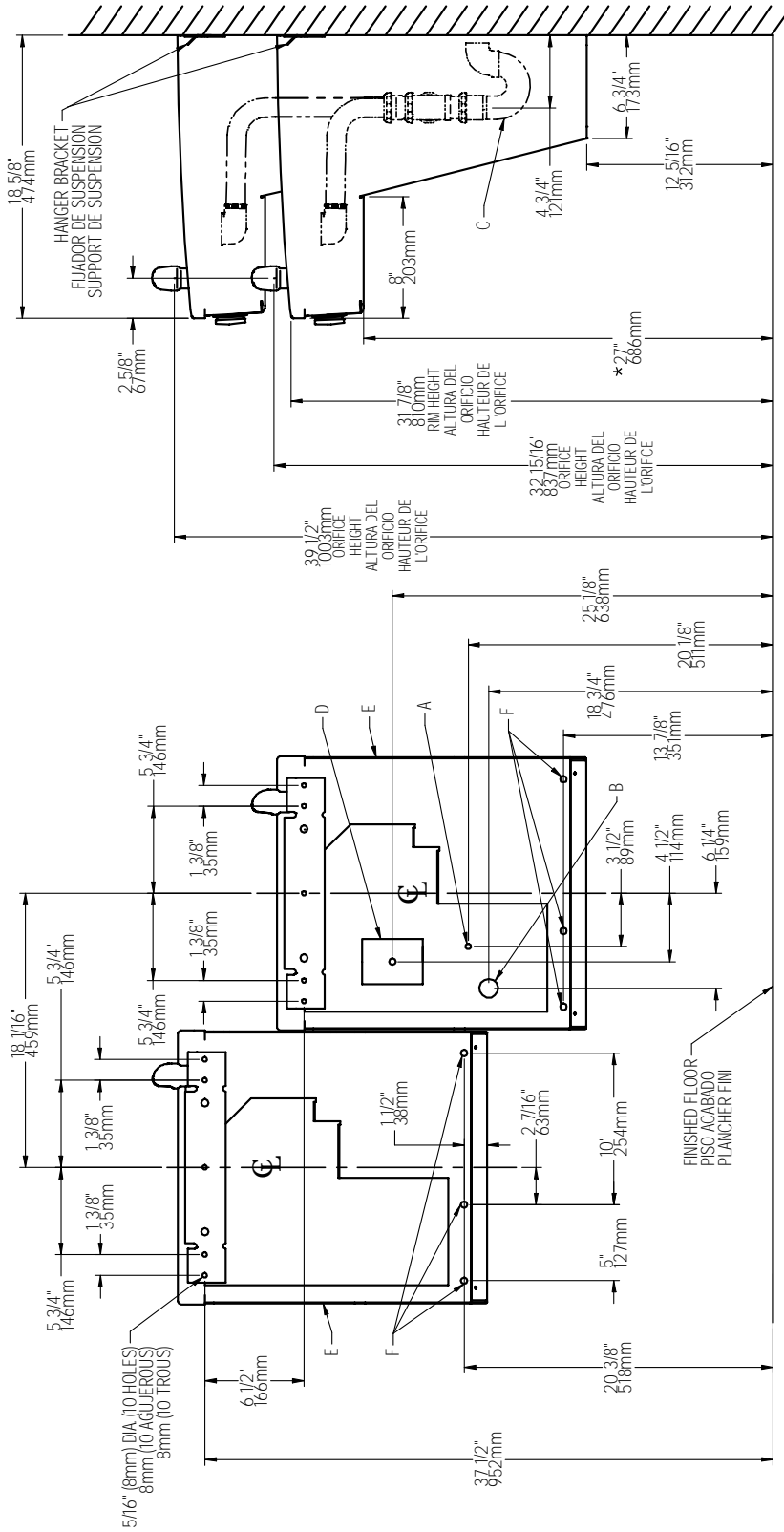


FIG. 2

REDUCE HEIGHT BY 3" FOR INSTALLATION OF CHILDRENS ADA COOLER

- LEGEND / LEYENDA / LÉGENDE**
- A =** RECOMMENDED WATER SUPPLY LOCATION 3/8 O.D. UNPLATED COPPER TUBE CONNECT STUB WITH SHUT OFF (BY OTHERS) 3 IN. (76mm) MAXIMUM OUT FROM WALL
 - B =** RECOMMENDED LOCATION FOR WASTE OUTLET 1-1/2" O.D. DRAIN STUB 2 IN. OUT FROM WALL
 - C =** 1-1/2 TRAP NOT FURNISHED
 - D =** ELECTRICAL SUPPLY (3) WIRE RECESSED BOX
 - E =** INSURE PROPER VENTILATION BY MAINTAINING 6" (152 mm) (MIN.) CLEARANCE FROM CABINET LOUVERS TO WALL.
 - F =** 7/16 BOLT HOLES FOR FASTENING UNIT TO WALL
- * ADA REQUIREMENT

IMPORTANT
ALL SERVICE TO BE PERFORMED BY
AN AUTHORIZED SERVICE PERSON

HANGER BRACKETS & TRAP
INSTALLATION

- 1) Remove hanger bracket fastened to back of cooler by removing one (1) screw.
 - 2) Mount the hanger bracket and trap as shown in Figure 2.
- NOTE:** Hanger Bracket **MUST** be supported securely. Add fixture support carrier if wall will not provide adequate support.

IMPORTANT:

- 6 1/4 in. (159mm) dimension from wall to centerline of trap must be maintained for proper fit.
 - Anchor hanger securely to wall using all five (5) 1/4 in. dia. mounting holes.
- 3) Install straight valve for 3/8" O.D. tube.

INSTALLATION OF COOLER

- 4) Hang the cooler on the hanger bracket. Be certain the hanger bracket is engaged properly in the slots on the cooler back as shown in Figure 2.
- 5) Loosen the two (2) screws holding the lower front panel at the bottom of cooler base and two (2) screws at the top (**Use torx bits sold separately**). Remove the front panel and set aside.
- 6) Connect water inlet line--See Note 4 of General Instructions.
- 7) Remove the slip nut and gasket from the trap and install them on the cooler waste line making sure that the end of the waste line fits into the trap. Assemble the slip nut and gasket to the trap and tighten securely. Recommend fastening cooler to wall using 7/16 bolt holes. (see fig.2, "F")

START UP

Also See General Instructions

- 8) Stream height is factory set at 45-50 PSI. If supply pressure varies greatly from this, adjust screw using the access hole in the pushbutton (insert screwdriver). CW adjustment will raise stream and CCW adjustment will lower stream. For best adjustment, stream should hit basin approximately 6-1/2" (165mm) from bubbler.

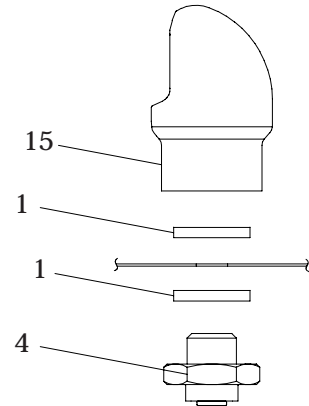


Fig. 3
VANDAL RESISTANT
BUBBLER DETAIL

Refrig. Unit	COLOR TABLE	Item No. 32 Part No.	Item No. 34 Part No.	Item No. 35 Part No.	Item No. 36 Part No.	Item No. 37 Part No.	Item No. 69 Part No.	Item No. 70 Part No.
	PANEL COLOR							
	Stainless Steel	28525C	28519C	28522C	28516C	22955C	28536C	28562C

Left Unit	COLOR TABLE	Item No. 33 Part No.	Item No. 34 Part No.	Item No. 35 Part No.	Item No. 36 Part No.	Item No. 37 Part No.	Item No. 67 Part No.	Item No. 68 Part No.
	PANEL COLOR							
	Stainless Steel	28528C	28519C	28522C	28516C	22955C	28539C	28559C



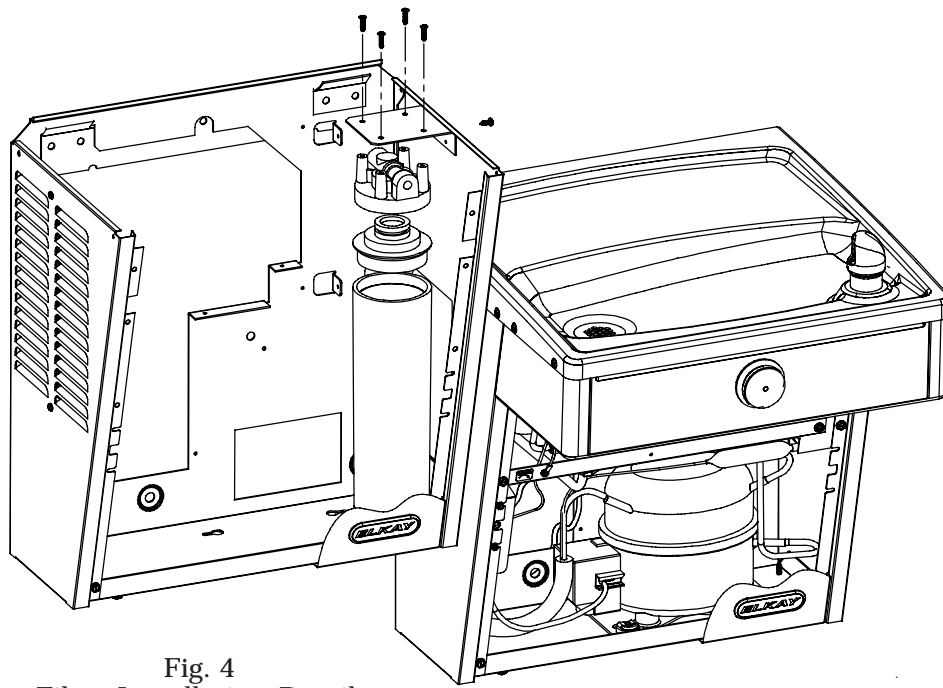


Fig. 4
Filter Installation Detail

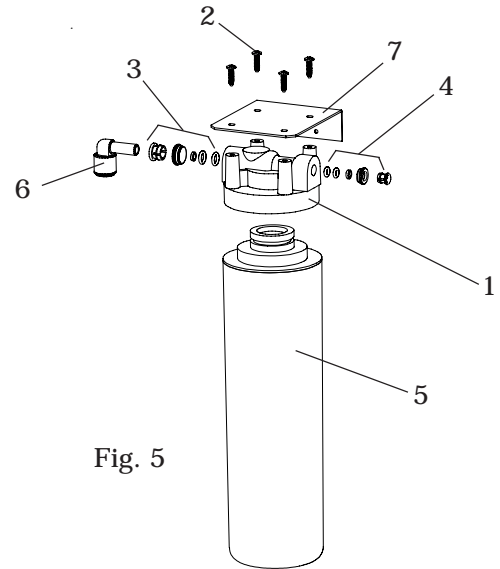


Fig. 5

WATERSENTRY® FILTER PARTS LIST (See Fig. 5)			LISTA DE PIEZAS DEL FILTRO (Vea Fig. 5)	LISTE DES PIÈCES DU FILTRE (Voir Fig. 5)
ITEM NO.	PART NO.	DESCRIPTION	DESCRIPCIÓN	DESCRIPTION
1	51294C	Filter Head Assy.	Ensamblado de la Cabeza del Filtro	Ens. de tête de filtre
2	70792C	Screw #8-18 x .75 PH	Tornillo #8-18 x .75 PH	Vis #8-18 x .75 hp
3	70823C	Fitting - Superseal 3/8" (10 mm)	Accesorio - Supersello 3/8" (10mm)	Raccord - Superseal 3/8" (10mm)
4	70822C	Fitting - Superseal 1/4" (6 mm)	Accesorio - Supersello 1/4" (6 mm)	Raccord - Superseal 1/4" (6mm)
5	51299C	Filter Assy	Ensamblado del Filtro	Ens. filtre
6	70818C	Elbow - 3/8" (10mm)	Codo - 3/8" (10 mm)	Coude - 3/8" (10mm)
7	28641C	Bracket	Fijador	Support



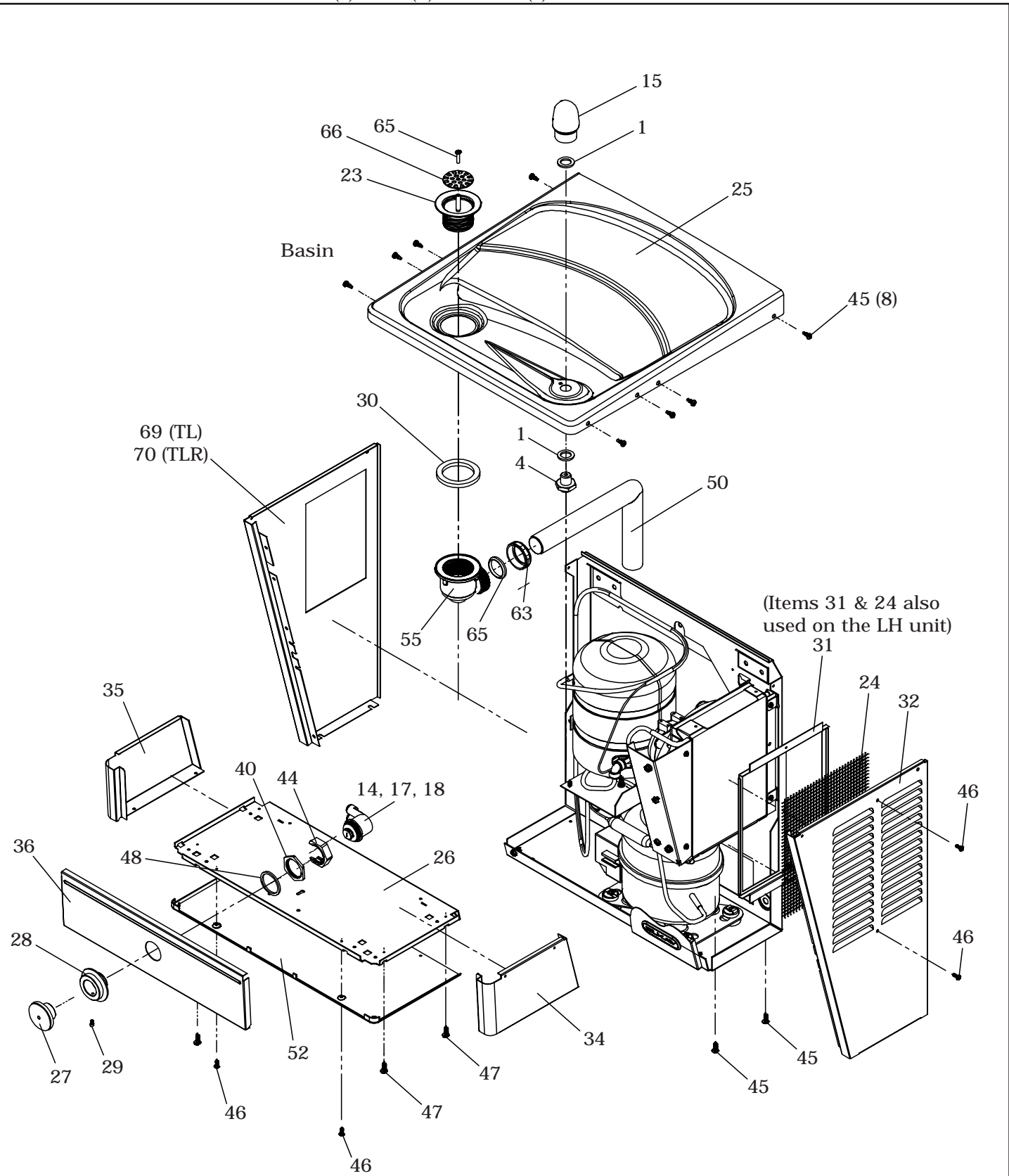


Fig. 6
(Refrigerated side shown)

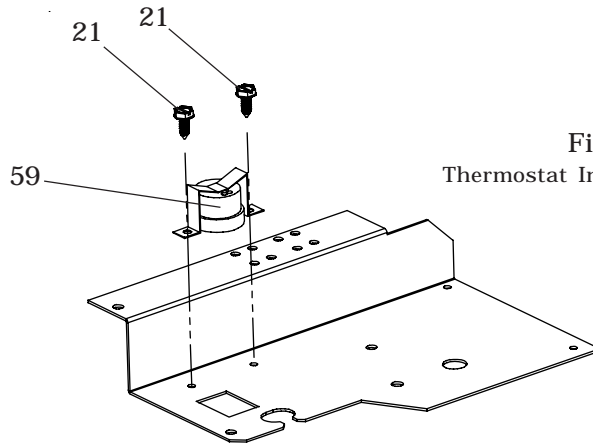
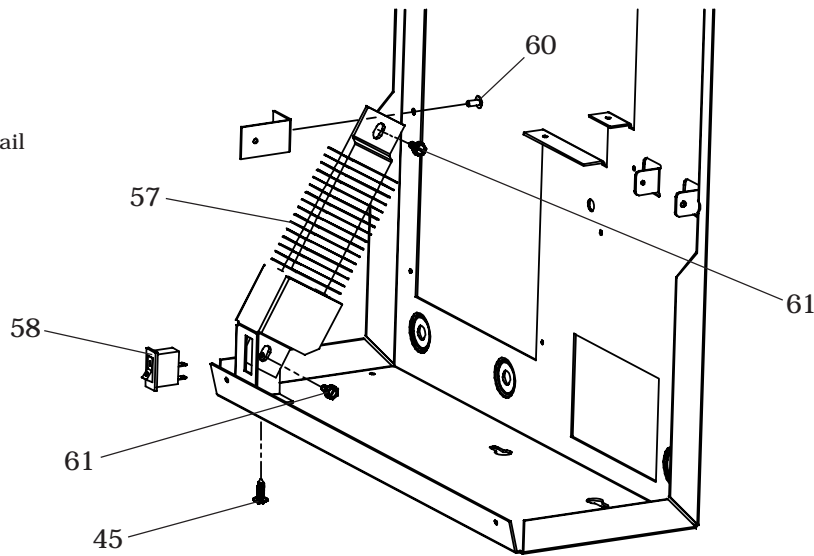


Fig. 7
Thermostat Installation Detail

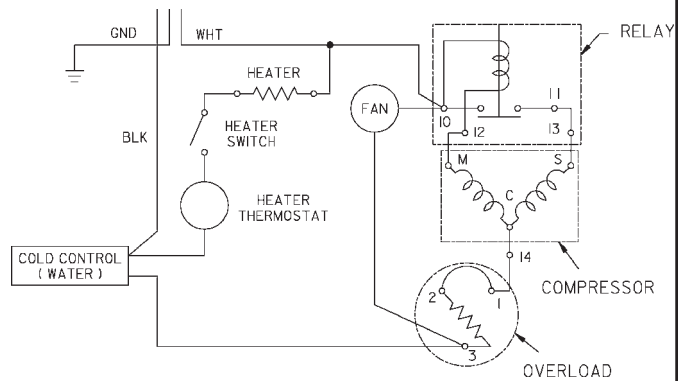
Fig. 8
Heater Strip Detail



WARNING!

This unit is frost resistant down to 0° F with no wind. Prevailing winds can reduce the ability of the heater element to prevent light freezing. If the ambient air temperature will drop below 0° F, the cooler needs to be drained of all water by blowing out all water lines, evaporator (item 20), and the drain trap. A heater strip is used to heat the unit and will begin to cycle at 40° +/- 5° F. A check at this temperature will ensure the heater is working and the unit is resistant to light freezing.

ALSO, MAKE SURE THERE ARE NO PLASTIC OR FLAMMABLE COMPONENTS DIRECTLY ABOVE THE HEATER STRIP.



Wiring Diagram



115V PARTS LIST

ITEM NO.	PART NO.	DESCRIPTION
1	56305C	Gasket - Bubbler
2	100806740570	Grommet - Compressor Mtg.
3	101474551730	Stud - Compressor Mtg.
4	15009C	Nipple - Bubbler
5	19037000	Clip - Compressor Mtg.
6	30664C	Fan Blade
7	31490C	Fan Motor
8	35839C	Cold Control
9	35768C	Cover - Relay
10	35900C	Power Cord (RH Unit Refrig.)
* 11	36322C	Compressor Serv. Pak EMI 70
12	36173C	Overload
13	36167C	Relay
14	50986C	Holder - Regulator
15	45866C	Bubbler Assy.
16	56092C	Tubing - Poly (Cut To length)
17	15005C	Retaining Nut
18	61313C	Regulator
19	66703C	Drier
20	66810C	Evaporator Assembly
21	70002C	Screw - #10 x 1/2" Lg. HHSM
22	70009C	Screw - Fan Motor
23	600985451640	Drain Plug 1-1/2
24	28617C	Screen - VR
25	28963C	Basin - Stainless Steel
26	22897C	Panel - Bottom Dispenser
27	45662C	Button - Push
28	45737C	Sleeve - Push Button
29	75672C	Cap Screw
30	100147140560	Gasket - Drain
31	28596C	Panel - Screen
32	See Color Table	Panel - RH Rear
33	See Color Table	Panel - LH Rear
34	See Color Table	Panel - RH Dispenser Side
35	See Color Table	Panel - LH Dispenser Side
36	See Color Table	Panel - Dispenser Front
37	See Color Table	Panel - Front Lower
38	66743C	Condenser
39	56237C	Shroud Fan
40	40045C	Hex Nut
41	70018C	Hex Nut - Fan Blade
42	75524C	Clip (Front & Rear Panels)
43	55996C	Strainer (See "General Instructions")
44	45736C	Half Nut - Regulator
45	75570C	Screw - #10 x .50 Pinned Torx
46	75661C	Screw - #8 x .50 Pinned Torx
47	70864C	Screw - #8 x .62 Torx/Slot
48	56033C	Washer
49	66576C	Heat Exchanger
50	45929C	Tube - Drain
51	27124C	Cover - Cold Control
52	55931C	Cover - Dispenser Bottom
53	45876C	Drain Tube Assy.
54	75583C	Elbow - 5/16" x 1/4"
55	56121C	Elbow - Drain
56	70682C	Tee 1/4
57	35906C	Heater Strip
58	35907C	Switch - Rocker
59	35909C	FR Thermostat Assy.
60	70432C	Screw - 8-32 x .38 THTC
61	75506C	Screw - #10 x .75 HHSM
62	35902C	Wire - Black #18AWG
63	75588C	Nut - Slip Joint 1-1/4"
64	75589C	Gasket
65	110868642550	Screw - #10-24 x .75 Socket Hd.
66	160270508640	Strainer - Bright
67	See Color Table	Panel - RH Rear TL
68	See Color Table	Panel - RH Rear TLR
69	See Color Table	Panel - LH Rear TL
70	See Color Table	Panel - LH Rear TLR
Sold Separate	75520C	Torx Tool - T25
Sold Separate	75523C	Torx Tool - T20
NS	28551C	Hanger Bracket
NS	36012C	Power Cord (LH/RH Units Less Refrig.)

WARNING!

This unit is frost resistant down to 0° F with no wind. Prevailing winds can reduce the ability of the heater element to prevent light freezing. If the ambient air temperature will drop below 0° F, the cooler needs to be drained of all water by blowing out all water lines and drain trap. A heater strip is used to heat the unit and will begin to cycle at 40° +/- 5° F. A check at this temperature will ensure the heater is working and the unit is resistant to light freezing.

ALSO, MAKE SURE THERE ARE NO PLASTIC OR FLAMMABLE COMPONENTS DIRECTLY ABOVE THE HEATER STRIP.

***REPLACE WITH SAME COMPRESSOR USED IN ORIGINAL ASSEMBLY.**

NOTE: All correspondence pertaining to any of the above water coolers or orders for repair parts MUST include Model No. and Serial No. of cooler, name and part number of replacement part.

PRINTED IN U.S.A.

REPAIR SERVICE INFORMATION TOLL FREE NUMBER 1.800.260.6640
FOR PARTS, CONTACT YOUR LOCAL DISTRIBUTOR OR CALL 1.800.323.0620

ELKAY MANUFACTURING COMPANY • 2222 CAMDEN COURT • OAK BROOK, IL 60523 • 630.574.8484

