

SPECIFICATIONS

EZH2O® Bottle Filling Station Mechanical Activation, Non-Filtered Surface Mount Model EMASMB

Rated for Indoor Use Only

PRODUCT SPECIFICATION

Surface Mount bottle filling station designed for installations without the need for electricity. Shall include battery operated Green Ticker™ displaying count of 20 oz. plastic bottles saved from waste. Bottle filler shall provide 1.0 gpm flow rate non-filtered, with laminar flow to minimize splashing. Shall include integrated silver ion antimicrobial protection in key areas. Unit shall meet ADA guidelines. Unit shall be a Lead-free design which is certified to NSF/ANSI 61 and 372 and meets Federal and State low-lead requirements.

STANDARD FEATURES

- Complete mechanical water activation and function. No electrical connection required.
- Quick Fill Rate of 1 gallon per minute.
- Integrated Silver Ion Anti-microbial Protection in key areas.
- Laminar Flow provides minimal splash.
- Real Drain System eliminates standing water.
- No bubbler required.
- Battery operated visual user interface display includes:
 - Innovative Green Ticker™ counts 20 oz. bottles saved from waste.
 - LCD display shows when batteries need replacing.
- Optional remote chiller can be installed within 15 feet of unit to deliver chilled drinking water.

CONSTRUCTION

- Stainless steel bottle filler wrapper with ABS plastic alcove.
- Includes robust hanging bracket for surface mount.

CAPACITIES CHART

Model	Voltage	Chilling Capacity	Approx Ship Weight
EMASMB	4.5 VDC (3 AA batteries)	N/A unless connected to chiller	22 lbs.

Ratings for the chiller not included.



CERTIFICATIONS / STANDARDS

- ADA Compliant
- ANSI/NSF 61 and 372 Certified



Warranty: Electrical components (excl. batteries) and water system is warranted for 12 months from date of installation or 18 months from factory shipment, whichever date falls first.

This specification describes an Elkay product with design, quality and functional benefits to the user. When making a comparison of other producer's offerings, be certain these features are not overlooked.

EZH20® Bottle Filling Station
Mechanical Activation, Non-Filtered
Surface Mount Model EMASMB

ELKAY®
ROUGH-IN DIMENSIONS

IMPORTANT!

INSTALLATION NOTES:

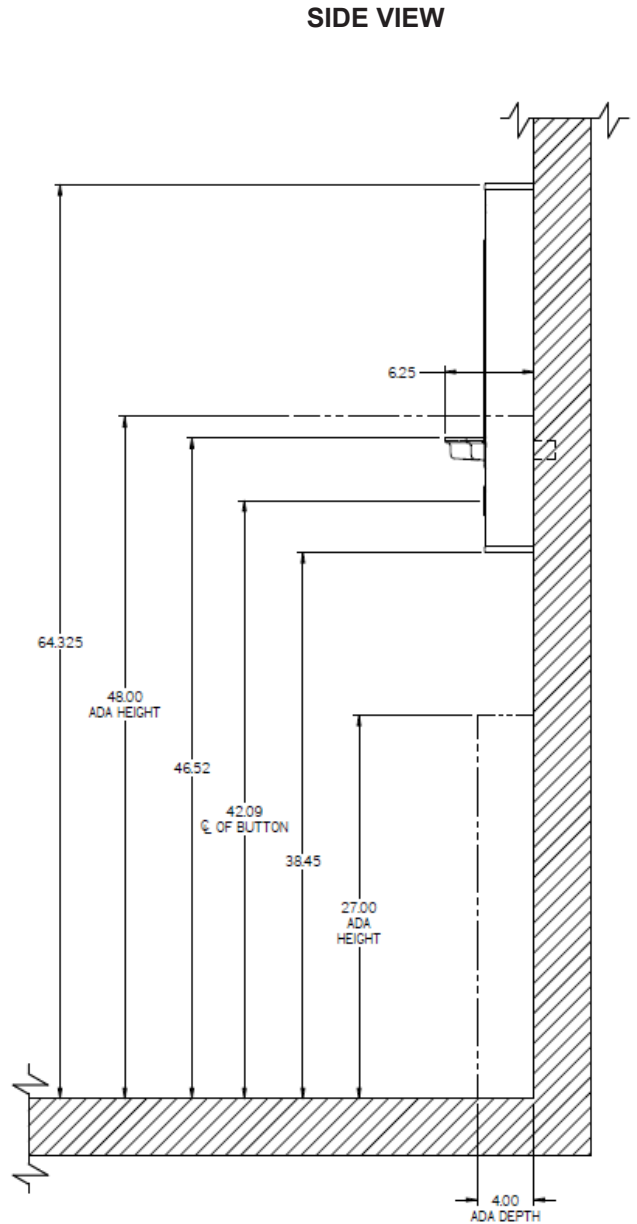
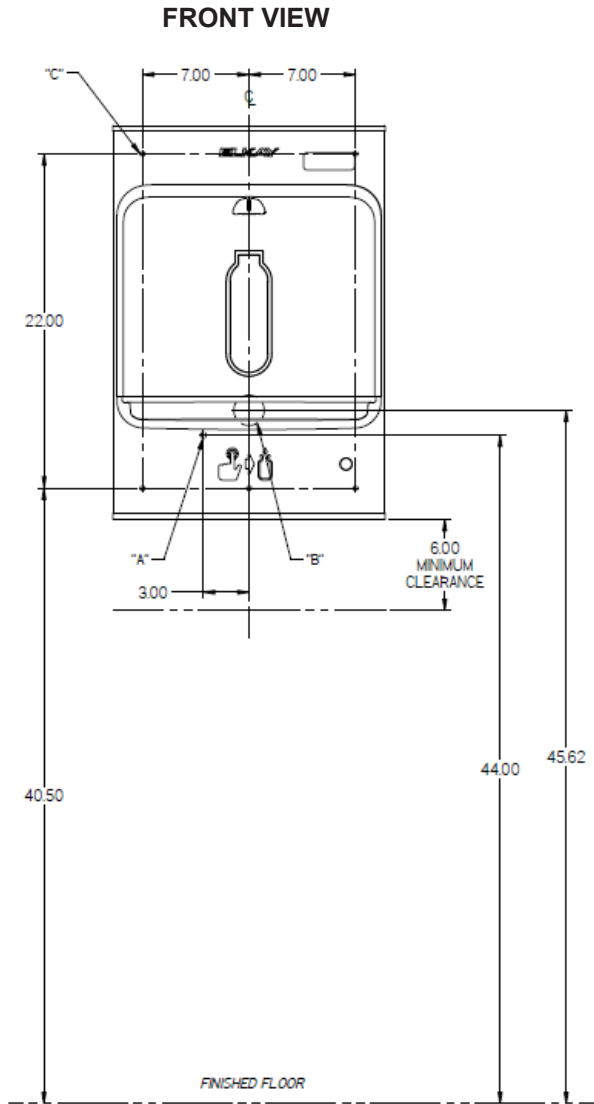
- Ensure wall is structurally sound to bear the loads imparted by the Surface Mount Bottle Filler.

ELECTRICAL

Rated for Indoor Use Only

EZH20 equipped with (3) AA batteries for Green Ticker™ operation.

ADA Stand Alone Mounting



LEGEND:

- A = RECOMMENDED WATER SUPPLY LOCATION;
 1/2" IPS MAXIMUM PIPE SIZE.
 SERVICE STOP VALVE NOT FURNISHED.
- B = RECOMMENDED WASTE LOCATION.
 WASTE SHOWN IN WALL BUT MAY BE BEHIND WALL.
 OUTLET 1-1/4" O.D. (TRAP NOT FURNISHED)
- C = 7/16" X 3/4" OBOUND MOUNTING HOLES FOR FASTENING
 BACKPLATE TO WALL.

Job Name: _____
 Model: _____ Qty. _____
 Contact: _____
 Approval Signature: _____
 Notes: _____

EZH20[®] Bottle Filling Station
Mechanical Activation, Non-Filtered
Surface Mount Model EMASMB

ELKAY[®]
ROUGH-IN DIMENSIONS

IMPORTANT!

INSTALLATION NOTES:

- Ensure wall is structurally sound to bear the loads imparted by the Surface Mount Bottle Filler.

ELECTRICAL

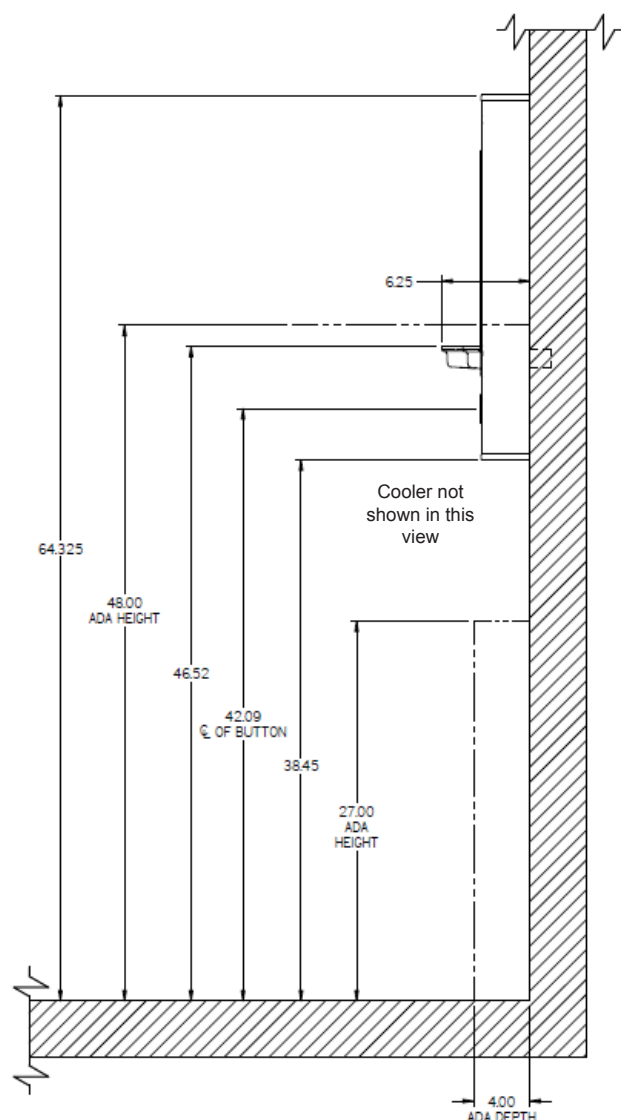
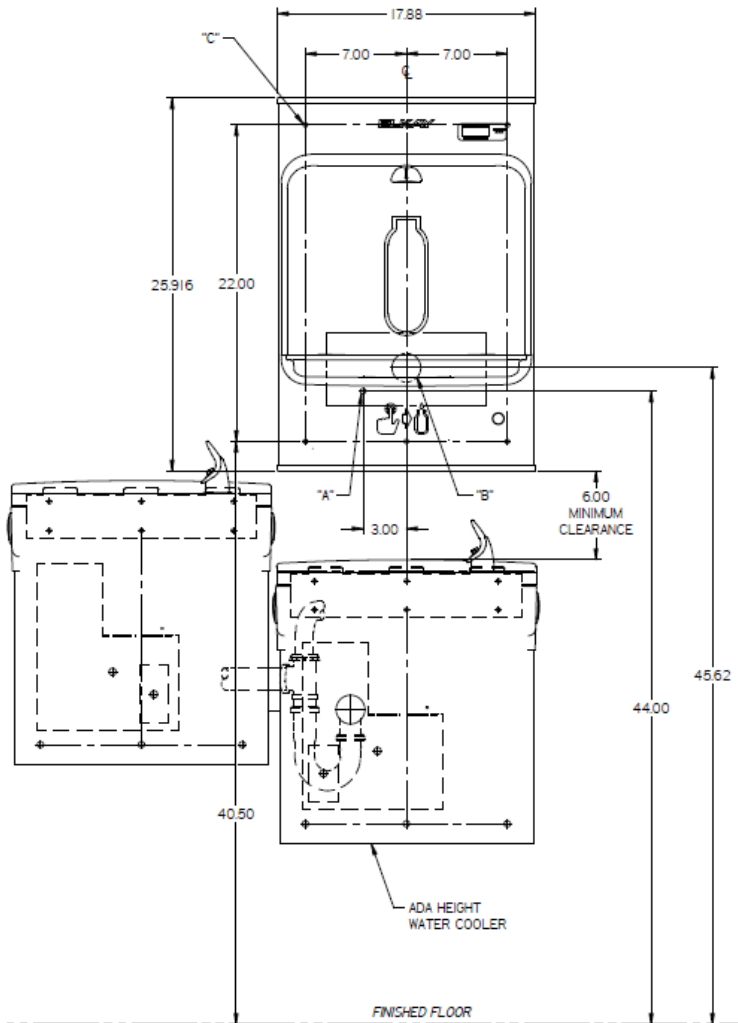
Rated for Indoor Use Only

EZH20 equipped with (3) AA batteries for Green Ticker™ operation.

ADA Above Cooler Mounting

FRONT VIEW

SIDE VIEW



REDUCE HEIGHT BY 3 INCHES FOR INSTALLATION ABOVE CHILDRENS ADA COOLER

LEGEND:

- A = RECOMMENDED WATER SUPPLY LOCATION;
1/2" IPS MAXIMUM PIPE SIZE.
SERVICE STOP VALVE NOT FURNISHED.
- B = RECOMMENDED WASTE LOCATION.
WASTE SHOWN IN WALL BUT MAY BE BEHIND WALL.
OUTLET 1-1/4" O.D. (TRAP NOT FURNISHED)
- C = 7/16" X 3/4" OBROND MOUNTING HOLES FOR FASTENING
BACKPLATE TO WALL.

Job Name: _____
 Model: _____ Qty. _____
 Contact: _____
 Approval Signature: _____
 Notes: _____